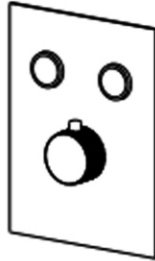
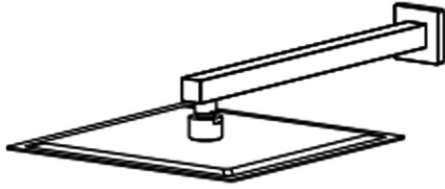


User's Manual



Installation Instructions For Wall Faucet



YBS85017MB

IAPMO RESEARCH AND TESTING, INC.
5001 East Philadelphia Street, Ontario, California 91761-2816 • (909) 472-4100 Fax (909) 472-4244 • www.iapmo.org

CERTIFICATE OF LISTING

C

The most updated information on this Certificate of Listing is available online at plb.iapmo.org

Effective Date: August 2013 Void After: August 2014

Product: Plumbing Fixture Fittings File No. 8737

Issued To: Faiping Heart Cartridge Co., Ltd.
No. 29 Weishan Dong Road,
Shulou Town,
Faping City, GUANDONG
China

Identification: Plumbing supply fittings complying with this Standard shall be marked with the manufacturer's recognized name, trademark, or other mark or, in the case of private labeling, the name, trademark or other mark of the customer for whom the fitting was manufactured. The marking shall be accomplished by use of a permanent mark or by placing a permanent label on the product. Markings on plumbing supply fittings shall be visible after installation.

Single-handle, single-control, and automatic compensating mixing bath and shower valves shall have identifiable temperature control settings in which the settings are indicated by words ("cold", "warm", "hot", etc.), by numbers, or graphically.

Packages shall be marked with the manufacturer's name, trademark, or other mark as well as the model number or, in the case of private labeling, the name, trademark, or mark of the customer for whom the fitting was manufactured as well as the model number.

David McHenry
Chairman, Product Certification Committee

Ron Choney
CEO, The IAPMO Group

This listing is valid as long as the last date of the events indicated on the Effective Date and Void After Date shows above. Any change in material, manufacturing process, marking or design without being first obtained the approval of the Product Certification Committee, or any violation of non-compliance with applicable codes and standards or of other circumstances, may be deemed sufficient cause for revocation of this listing. Production of or reference to this form by advertising purposes may be made only by specific written permission of IAPMO Research and Testing, Inc. Any alteration of this certificate must be provided for consideration of the listing. This document shall be reproduced in its entirety.

IAPMO RESEARCH AND TESTING, INC.
5001 East Philadelphia Street, Ontario, California 91761-2816 • (909) 472-4100 Fax (909) 472-4244 • www.iapmo.org

CERTIFICATE OF LISTING

C

The most updated information on this Certificate of Listing is available online at plb.iapmo.org

Effective Date: October 2016 -Rev. 11/28/2016- Void After: October 2017

Product: Flexible Water Connectors File No. 4955

Issued To: Yuhuan Jianglin Plumbing Hose & Parts Co., Ltd.
Fajiao Industry Zone
Changling 317600,
China

Identification: Manufacturer's name or trademark and UPCD certification mark. Special note on label "For use with water in exposed locations only."

Characteristics: Flexible water connectors manufactured in various sizes, lengths and metal and fittings for hot or cold water applications that consist of an inner tube, which may or may not have an outer braided cover. Connectors are to be installed for use in accessible locations only and in accordance with the manufacturer's instruction, and the latest edition of the Uniform Plumbing Code.

Products listed on this certificate have been tested by an IAPMO R&T recognized laboratory. This recognition has been granted based upon the laboratory's compliance to the applicable requirements of ISO/IEC 17025.

Products are in compliance with the following code(s):
Uniform Plumbing Code (UPC)

David McHenry
Chairman, Product Certification Committee

Ron Choney
CEO, The IAPMO Group

This listing is valid as long as the last date of the events indicated on the Effective Date and Void After Date shows above. Any change in material, manufacturing process, marking or design without being first obtained the approval of the Product Certification Committee, or any violation of non-compliance with applicable codes and standards or of other circumstances, may be deemed sufficient cause for revocation of this listing. Production of or reference to this form by advertising purposes may be made only by specific written permission of IAPMO Research and Testing, Inc. Any alteration of this certificate must be provided for consideration of the listing. This document shall be reproduced in its entirety.

IAPMO RESEARCH AND TESTING, INC.
5001 East Philadelphia Street, Ontario, California 91761-2816 -USA- (909) 472-4100- (909) 472-4244 • www.iapmo.org

CERTIFICATE OF LISTING

C

The most updated information on this Certificate of Listing is available online at plb.iapmo.org

Effective Date: November 2016 -Rev. 3/1/2017- Void After: November 2017

Product: Plumbing Fixture Fittings File No. 4528

Issued To: Sengpiel Inc.
171 HASTINGS HEIGHTS
Waterbury, CT 06705

Identification: Each fitting component shall bear permanent legible markings to identify the manufacturer. This marking shall be the trade name, trademark, or other mark known to identify the manufacturer. The product shall also bear all other markings required by the standard. The marking shall be located where it can be readily seen after installation is complete. The product or packaging shall also bear the UPCD certification mark.

Characteristics: Plumbing fixture fitting components to be installed in accordance with the manufacturer's instructions and the requirements of the latest edition of the Uniform Plumbing Code.

Products listed on this certificate have been tested by an IAPMO R&T recognized laboratory. This recognition has been granted based upon the laboratory's compliance to the applicable requirements of ISO/IEC 17025.

Products are in compliance with the following code(s):
Uniform Plumbing Code (UPC)
National Plumbing Code of Canada

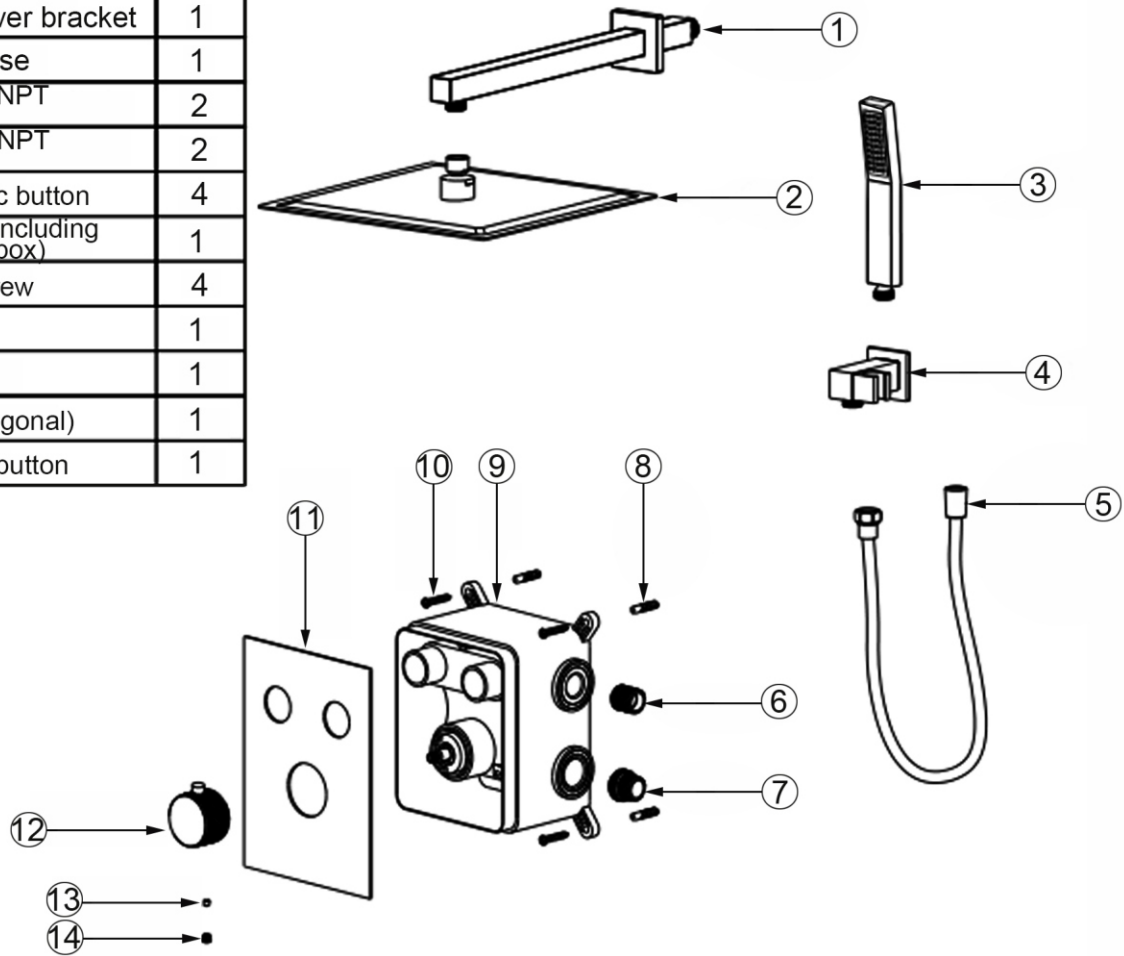
Tom Collins
Chairman, Product Certification Committee

Ron Choney
CEO, The IAPMO Group

This listing is valid as long as the last date of the events indicated on the Effective Date and Void After Date shows above. Any change in material, manufacturing process, marking or design without being first obtained the approval of the Product Certification Committee, or any violation of non-compliance with applicable codes and standards or of other circumstances, may be deemed sufficient cause for revocation of this listing. Production of or reference to this form by advertising purposes may be made only by specific written permission of IAPMO Research and Testing, Inc. Any alteration of this certificate must be provided for consideration of the listing. This document shall be reproduced in its entirety.

BEFORE INSTALLATION

NO.	Name	Qty
1	Shower arm	1
2	Rain shower head	1
3	Hand shower	1
4	Hand shower bracket	1
5	Shower hose	1
6	1/2NPT-1/2NPT Connector	2
7	3/4NPT-1/2NPT Connector	2
8	Swell plastic button	4
9	Main body(Including embedded box)	1
10	Tapping screw	4
11	Cover plate	1
12	Diverter	1
13	Screw(hexagonal)	1
14	Decorative button	1



Installation tools and accessories



Check accessories

Standard List of Accessories:

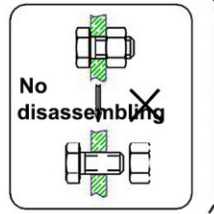
When you open the product packaging ,please check whether the objects in it are consistent with the main body and accessories you purchased .If there is any inconsistency ,please contact our company or our distributor.

Note: 1.Accessories are subject to change without prior notice if the change does not affect usage;

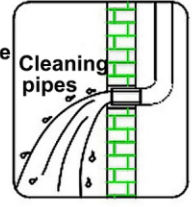
2.The appearance of the product is subject to the physical objects you receive ,and the schematic diagram is only for reference.

INSTALL THE SHOWER

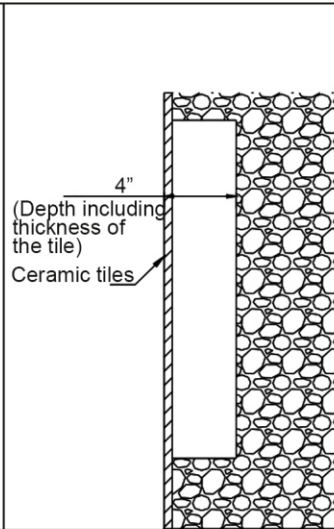
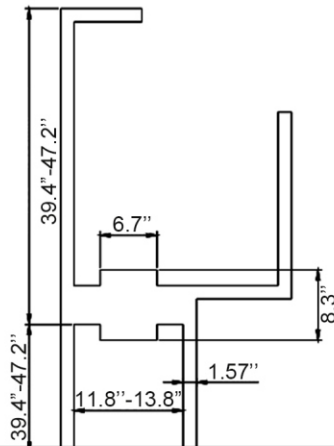
This product has been inspected and debugged by the factory to the best condition. Please do not disassemble and assemble it yourself.



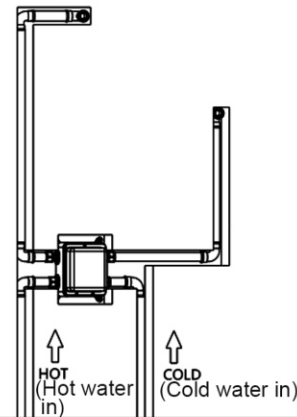
Before installing the faucet, please be sure to remove sundries and sludge from the water pipe to prevent sundries from blocking the faucet.



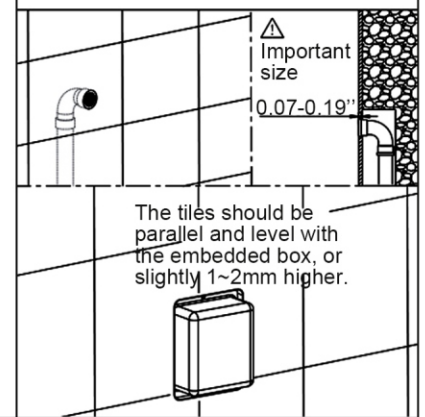
1. Dig pipe grooves for pre-burying pipes.



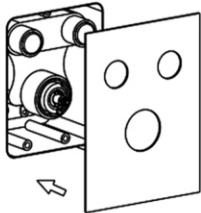
2. Install the main body, water inlet and outlet pipes.



3. Stick tiles. Please note that the outlet should be slightly lower than the surface of the tiles.

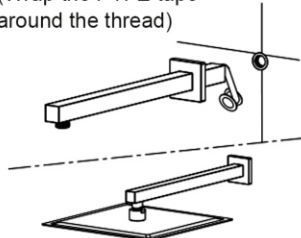


4. Stick the tiles, remove the protecting cover, install the cover plate and diverter.



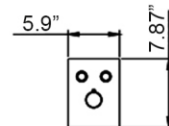
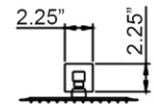
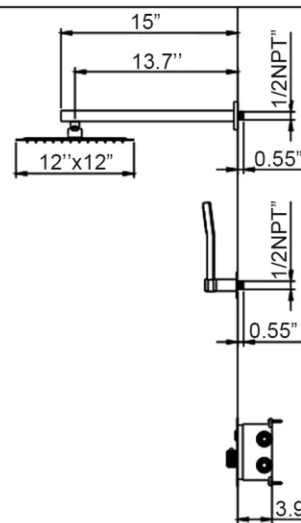
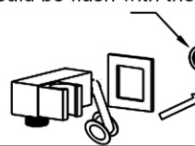
5. Install shower arm and rain shower head.

(Wrap the PTFE tape around the thread)



6. Install hand shower bracket. (Wrap the PTFE tape around the thread)

(The outlet should be flush with the tile's surface)



CLEANING CARE

In order to keep the appearance of faucet clean, bright and good performance, please take care of the faucet as follows;

1. Rinse with water only and dry with soft cotton cloth;
2. Use mild liquid and colorless glass cleaner to remove surface dirt and scale film, or use polish without abrasive effect;
3. Do not use abrasive detergent, polish, emery cloth, paper towel or scraper, etc.;
4. Do not use acid cleaner, or cleaner and soap with insoluble granules, etc.;
5. In the process of use, mud may accumulate in the bubbler and make the water flow show. The bubbler can be unscrewed, rinsed with water, and then installed back in place.



