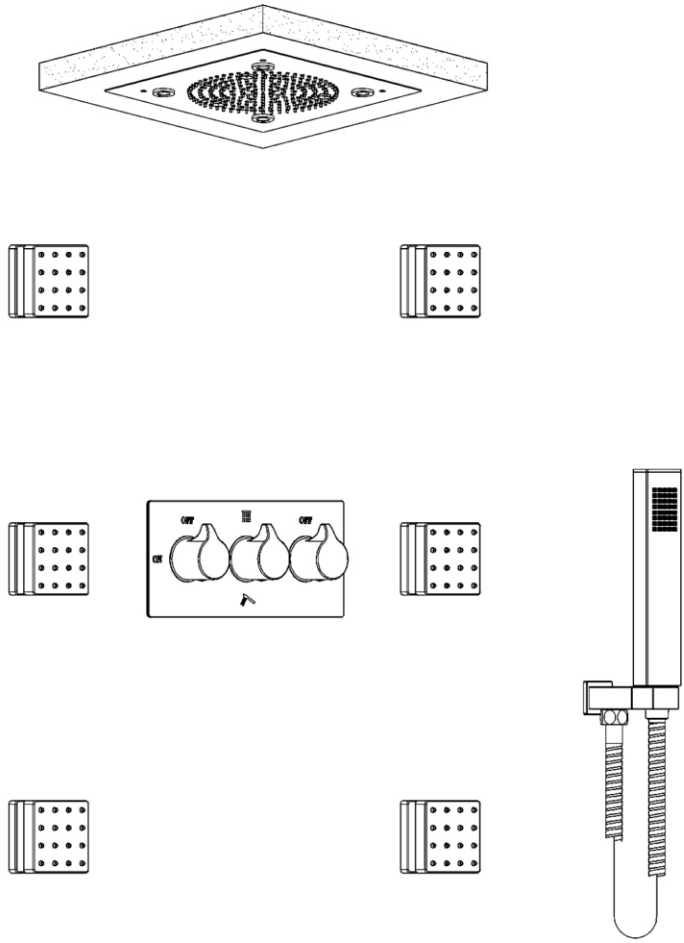


User's Manual



Concealed Shower Mixer System Installation Manual



Yb0815

IAPMO RESEARCH AND TESTING, INC.
5001 East Philadelphia Street, Ontario, California 91761-2816 • (909) 472-4100 Fax (909) 472-4244 • www.iapmo.org

ANSI **IAPMO R&T** **UPC**

CERTIFICATE OF LISTING

UPC

The most updated information on this Certificate of Listing is available online at pl.iapmo.org

Effective Date: August 2013 Void After: August 2014

Product: Plumbing Fixture Fittings File No. 8737

Issued To: Haiping Heart Cartridge Co., Ltd.
No. 28 Heilman Dong Road,
Shilong Town,
Haiping City, GUANGDONG
China

Identification: Plumbing supply fittings complying with this Standard shall be marked with the manufacturer's recognized name, trademark, or other mark or, in the case of private labeling, the name, trademark or other mark of the customer for whom the fitting was manufactured. The marking shall be accomplished by use of a permanent mark or by placing a permanent label on the product. Markings on plumbing supply fittings shall be visible after installation.

Single-handle, single-control, and automatic compensating mixing bath and shower valves shall have identifiable temperature control settings in which the settings are indicated by words "cold", "warm", "hot", etc.), by numbers, or graphically.

Packages shall be marked with the manufacturer's name, trademark, or other mark as well as the model number or, in the case of private labeling, the name, trademark, or mark of the customer for whom the fitting was manufactured as well as the model number.

David McHenry
Chairman, Product Certification Committee

Ron Cheney
CEO, The IAPMO Group

This listing pertains to the date of the most updated information on the Effective Date and Void After Date shown above. Any change in product, manufacturing process, marking or design without having first obtained the approval of the Product Certification Committee, or any violation of non-compliance with applicable codes and standards or of other requirements, may be deemed sufficient cause for revocation of this listing. Production of an article in this form for advertising purposes may be made only by specific written permission of IAPMO Research and Testing, Inc. Any alteration of this certificate should be grounds for revocation of the listing. This document shall be reproduced in its entirety.

IAPMO RESEARCH AND TESTING, INC.
5001 East Philadelphia Street, Ontario, California 91761-2816 • (909) 472-4100 Fax (909) 472-4244 • www.iapmo.org

ANSI **IAPMO R&T** **UPC**

CERTIFICATE OF LISTING

UPC

The most updated information on this Certificate of Listing is available online at pl.iapmo.org

Effective Date: October 2016 -Rev. 11/28/2016- Void After: October 2017

Product: Flexible Water Connectors File No. 4905

Issued To: Yuhuan Jiangyin Plumbing Hose & Parts Co., Ltd.
Package Industry Zone
Yuhuan County
Daxijiang 317600,
China

Identification: Manufacturer's name or trademark and UPC certification mark. Special note on label "For use with water in exposed locations only."

Characteristics: Flexible water connectors manufactured in various sizes, lengths and metal and fittings for hot or cold water applications that consist of an inner tube, which may or may not have an outer braided cover. Connectors are to be installed for use in accessible locations only and in accordance with the manufacturer's instruction, and the latest edition of the Uniform Plumbing Code.

Products listed on this certificate have been tested by an IAPMO R&T recognized laboratory. This recognition has been granted based upon the laboratory's compliance to the applicable requirements of ISO/IEC 17025.

Products are in compliance with the following code(s):
Uniform Plumbing Code (UPC)

David McHenry
Chairman, Product Certification Committee

Ron Cheney
CEO, The IAPMO Group

This listing pertains to the date of the most updated information on the Effective Date and Void After Date shown above. Any change in product, manufacturing process, marking or design without having first obtained the approval of the Product Certification Committee, or any violation of non-compliance with applicable codes and standards or of other requirements, may be deemed sufficient cause for revocation of this listing. Production of an article in this form for advertising purposes may be made only by specific written permission of IAPMO Research and Testing, Inc. Any alteration of this certificate should be grounds for revocation of the listing. This document shall be reproduced in its entirety.

IAPMO RESEARCH AND TESTING, INC.
5001 East Philadelphia Street, Ontario, California 91761-2816 • (909) 472-4100 • (909) 472-4244 • www.iapmo.org

ANSI **IAPMO R&T** **UPC**

CERTIFICATE OF LISTING

UPC

The most updated information on this Certificate of Listing is available online at pl.iapmo.org

Effective Date: November 2016 -Rev. 3/1/2017- Void After: November 2017

Product: Plumbing Fixture Fittings File No. 4528

Issued To: Hengpel, Inc.
171 Hattatuck Heights
Waterbury, CT 06705

Identification: Each fitting component shall bear permanent legible markings to identify the manufacturer. This marking shall be the trade name, trademark, or other mark known to identify the manufacturer. The product shall also bear all other markings required by the standard. The marking shall be located where it can be readily seen after installation is complete. The product or packaging shall also bear the UPC certification mark.

Characteristics: Plumbing fixture fitting components to be installed in accordance with the manufacturer's instructions and the requirements of the latest edition of the Uniform Plumbing Code.

Products listed on this certificate have been tested by an IAPMO R&T recognized laboratory. This recognition has been granted based upon the laboratory's compliance to the applicable requirements of ISO/IEC 17025.

Products are in compliance with the following code(s):
Uniform Plumbing Code (UPC)
National Plumbing Code of Canada

Tom Collins
Chairman, Product Certification Committee

Ron Cheney
CEO, The IAPMO Group

This listing pertains to the date of the most updated information on the Effective Date and Void After Date shown above. Any change in product, manufacturing process, marking or design without having first obtained the approval of the Product Certification Committee, or any violation of non-compliance with applicable codes and standards or of other requirements, may be deemed sufficient cause for revocation of this listing. Production of an article in this form for advertising purposes may be made only by specific written permission of IAPMO Research and Testing, Inc. Any alteration of this certificate should be grounds for revocation of the listing. This document shall be reproduced in its entirety.

BEFORE INSTALLATION

Conditions of Use

1.Cold water * hot water pressure:

The minimum pressure is 0.05 MPa (flow pressure) ; the maximum pressure is 0.75 MPa (static pressure)

2.Water supply temperature (85°C/ 185°F.

3.The ambient temperature should be above 0°C/ 32°F, if It Is not higher than 0°C/ 32°F, the water faucet will appear deformed and cracked.

Prior to Installation:

1.Cleaning of water supply pipeline:

Supply lines should be purged to clean impurities before connecting the unit to avoid blockage.

2.Pay attention to each step in the installation process:

① Before installation. the debris around the mounting hole must be cleaned;

② Be careful not to scratch the electroplated surface of the valve body when opening the package;

③ Please don't twist it too tight with a pipe wrench to prevent deformation or even breakage.

Precautions and Maintenance

1.In order to ensure the durability of the product, please be as gentle and slow as possible during operation.

2.Clean the filter regularly.

3.When the shower is used for a long time and water is found to flow out intermittently, there must be debris blocking the water outlet. At this time, you only need to gently pull the soft rubber ring at the water outlet of the shower, then the debris will be automatically rushed out.

4.If any dirt, clean with soft liquid or transparent glass detergent, then rinse it with soft water, finally gently wipe it with adry soft cloth.

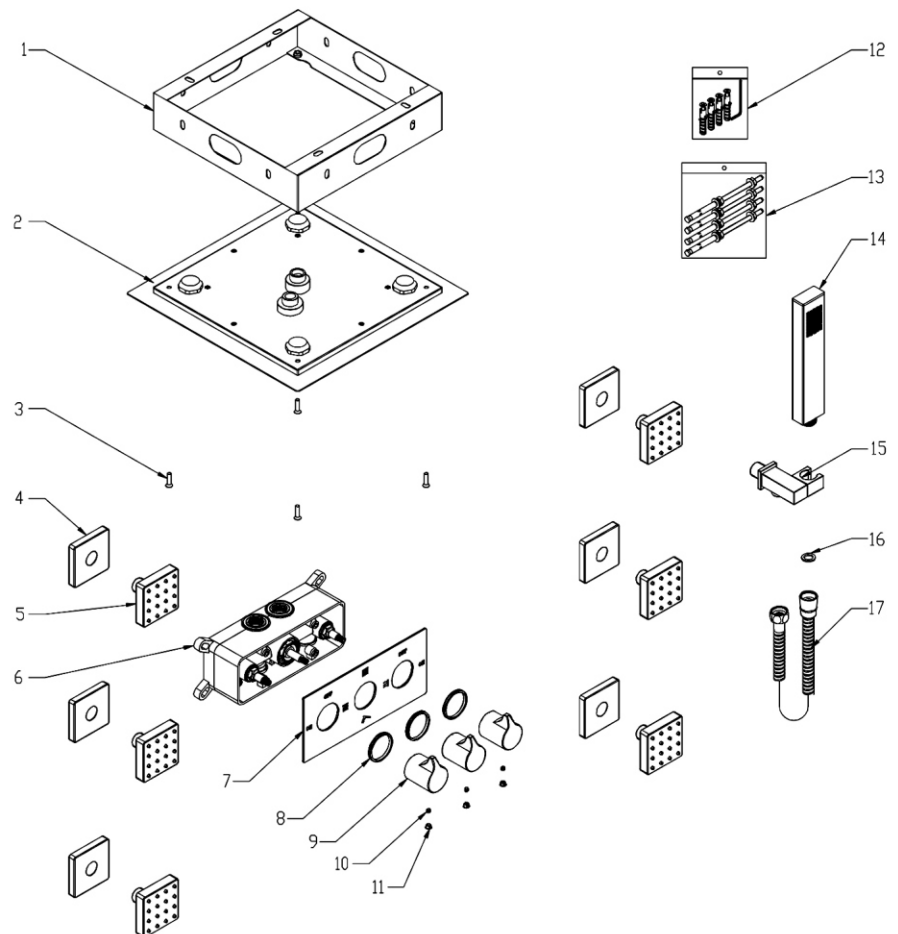
5.Do not use any scrubbing detergent, polisher, sand cloth, paper tissue or scraper.

6.Do not use acid detergent, insoluble grain-like detergent or soap.

7.If you will not use the shower for a long time, please close the main water inlet valve in your hom.

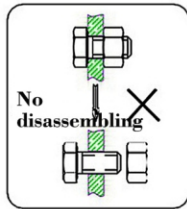
8.When the ambient temperature is under 0°C/ 32°F, please take necessary measures to keep the water equipment Warm.

NO.	Description	Qty
1	Shower Bracket.	1
2	Top Rain Head	1
3	Cross Screws	4
4	Cover Plate .	6
5	Body Spray	1
6	Valve Body	1
7	Decorative Plate	1
8	GLUE Ring	3
9	Knobs	3
10	Screw	3
11	Button	3
12	Kits Bag (4 expand screws, 4nuts, 1 allen wrench)	1
13	Expansion Screws	4
14	Hand Spray	1
15	Handheld Bracket	1
16	Washers	1
17	Shower Hose	1

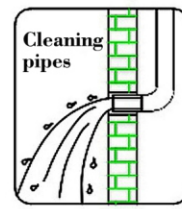


INSTALLATION STEPS

This product has been inspected and debugged by the factory to the best condition. Please do not disassemble and assemble it yourself.



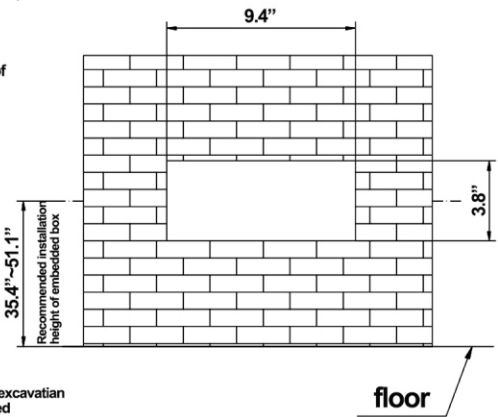
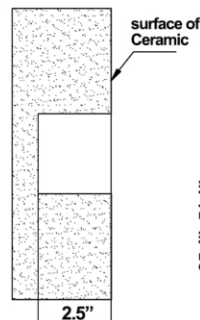
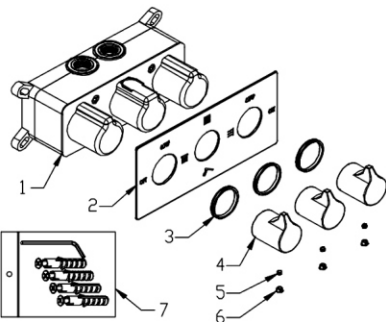
Before installing the faucet, please be sure to remove sundries and sludge from the water pipe to prevent sundries from blocking the faucet.



1. Installation Steps of Valve Body

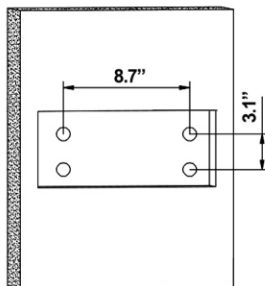
1). the dimension of drilling on wall needs to be accurate, which as below,

NO.	Description	Qty
1	Valve Body	1
2	Decorative Plate	1
3	GLUE Ring	3
4	Knobs	3
5	Screw	3
6	Button	3
7	Kits Bag	1

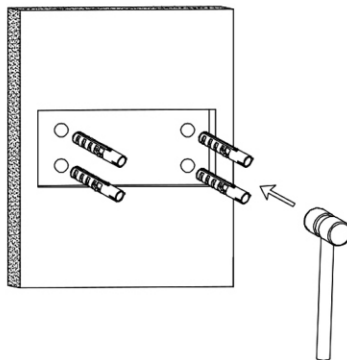


Note: depth of embedded box excavation
Thickness of tiles to be reserved

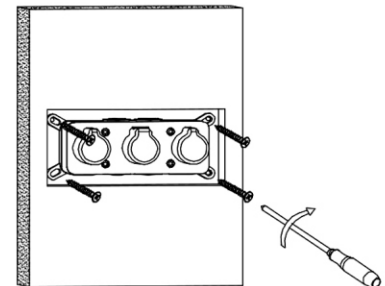
2). Drill four 6mm positioning holes according the product size.



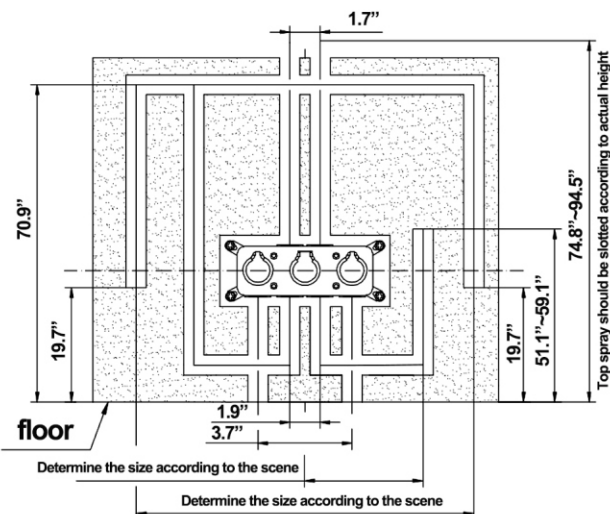
3). Hammer the expanded screw in the 4 drilled holes.



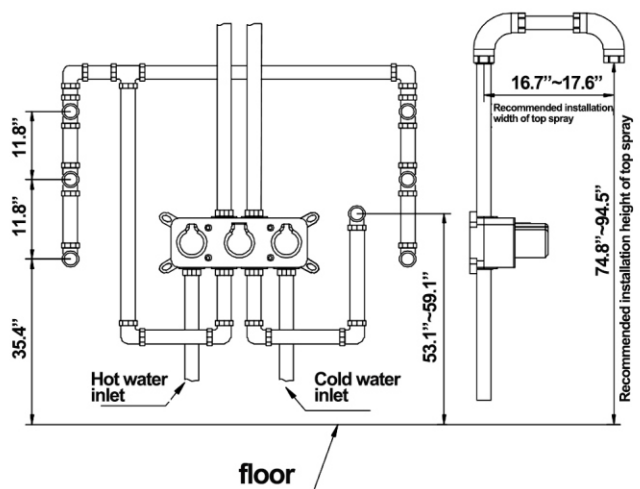
4). Use a Phillips screwdriver to tighten the 4 self-tapping screws, fix the valve body on the wall.



5). Draw a line while aligning the installed embedded box, and figure the installation distance, Dimension as below is for reference, which should be adjusted in reality. Then drill on wall for water pipe in final.

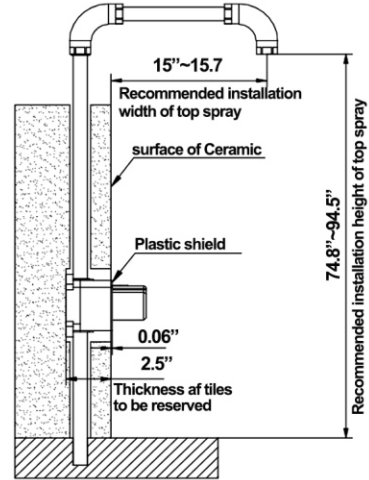
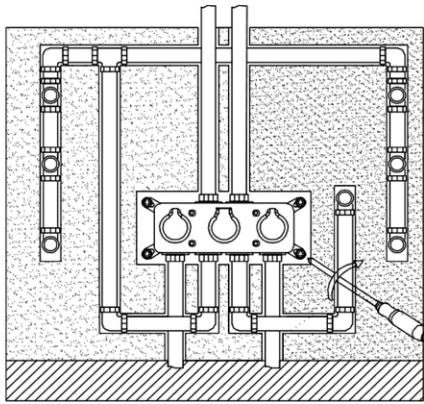


6). Remove the embedded box from the wall; connect the water pipe on the ground according to the specified groovedimension on the wall, finally install them into the wall after it is firm.



INSTALLATION STEPS

7). Place the installed embedded waterways into the dug water pipe groove and lock the embedded box body with four screws. Note that the embedded box highlights the ceramic tile surface by 0.06". Fill the tank with cement, secure the pipe and stick the tile.

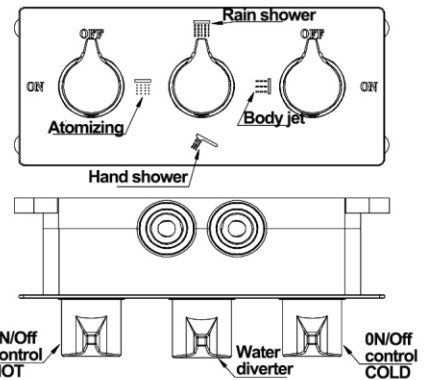
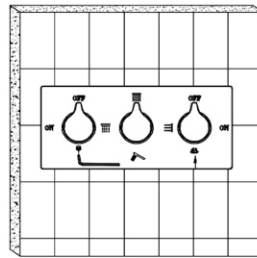
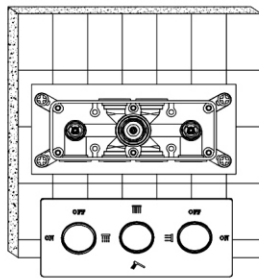
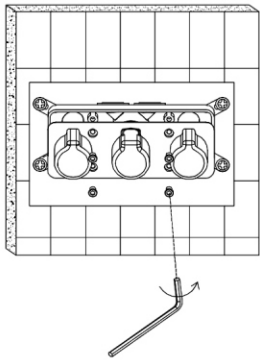


8). Remove the 4 screws with a hex wrench and remove the plastic shield.

9). Fix the decorative plate on the valve Body.

10). The handle wheel is installed on the valve body, and the screw is locked on the hand wheel with a hexagon wrench, and fasten the button on the hand wheel.

11). Function indication as shown.

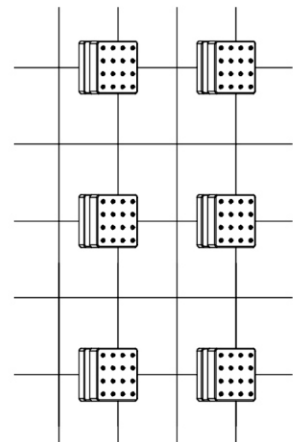
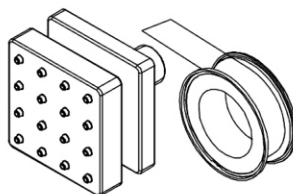
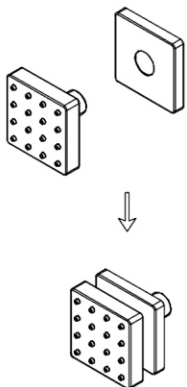


2. Installation Steps of Body Jets.

1). Attach the cover plate to body jets.

2). Apply Teflon tape to threaded tail of the body jets.

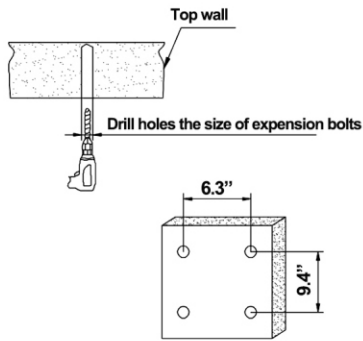
3). Use a wrench to screw the jet heads clockwise into the body spray outlets.



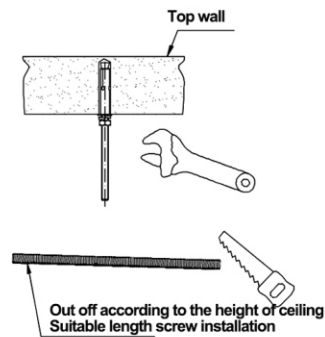
INSTALLATION STEPS

3. Installation Steps of Shower head

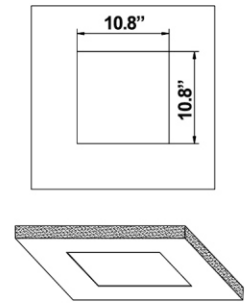
1). Drill 4 holes with electric drill, the dimensions of top wall hole are 6.3" and 9.4" as follows.



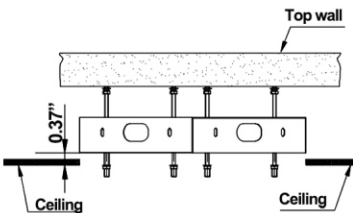
2). Insert the expansion bolt into the hole and lock the nut with an adjustable wrench, Install four expansion bolts.



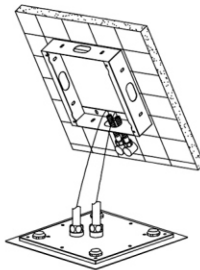
3). Take out a ceiling board, and drill a 10.8" square hole on the ceiling board.



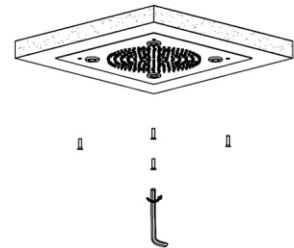
4). Insert the shower fixed seat into the four expansion bolts to adjust the nuts to fit the ceiling is on the same plane, and finally Finally, the square hole ceiling is buckling up to the suspended ceiling board.



5). Attach two hoses to the two threads of the shower, then attach them to the thread connect with two outlet holes of the top wall, pay attention to the water way connecting.

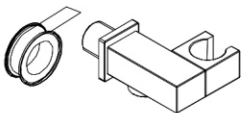


6). Fix the top spray on the ceiling with four screws.

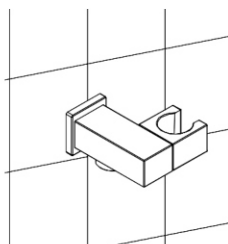


4. Installation Steps of Hand Shower

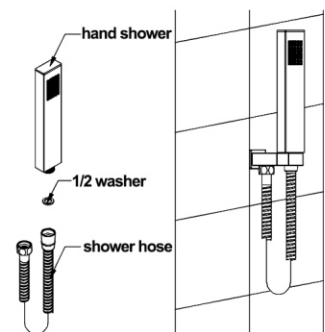
1). Wrap supply elbow thread with Teflon tape and attach cover plate to it.



2). Screw the shower holder clockwise, onto the hand-shower outlet.



3). Place rubber washers in both ends of the hose Connect the shower hose to the supply elbow and shower head. Note the ends of shower hose to be connected correctly.



CLEANING CARE

In order to keep the appearance of faucet clean, bright and good performance, please take care of the faucet as follows;

1. Rinse with water only and dry with soft cotton cloth;
2. Use mild liquid and colorless glass cleaner to remove surface dirt and scale film, or use polish without abrasive effect;
3. Do not use abrasive detergent, polish, emery cloth, paper towel or scraper, etc.;
4. Do not use acid cleaner, or cleaner and soap with insoluble gran etc.;
5. In the process of use, mud may accumulate in the bubbler and make the water flow slow, The bubbler can be unscrewed, rinsed with water, and then installed back in place.



