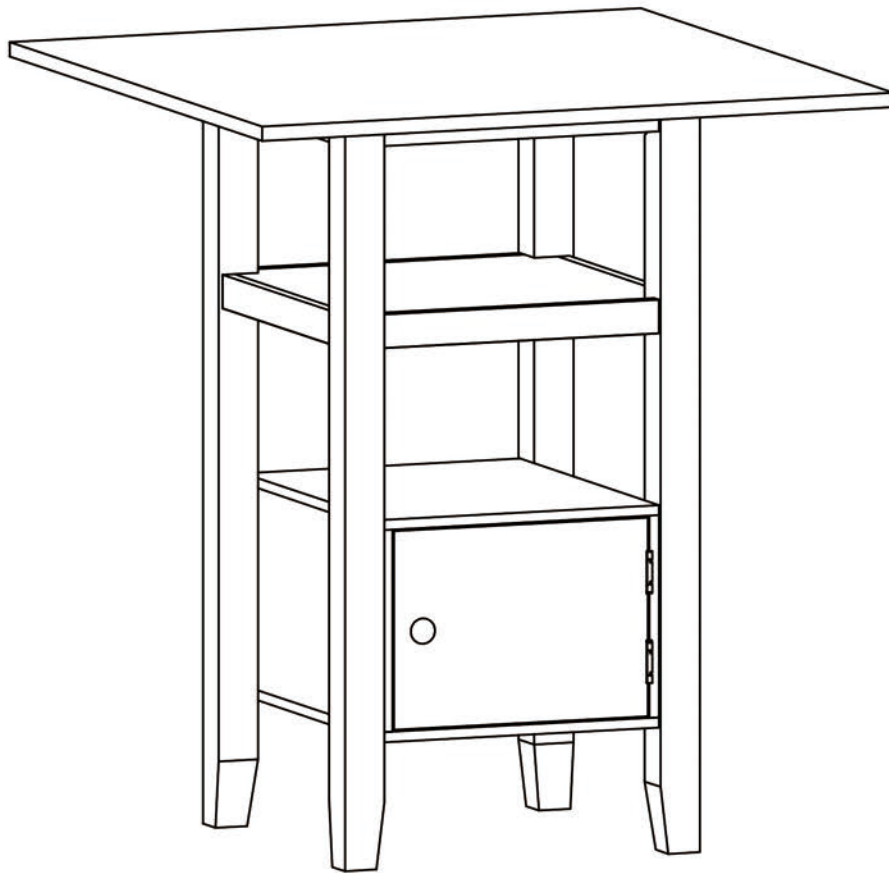


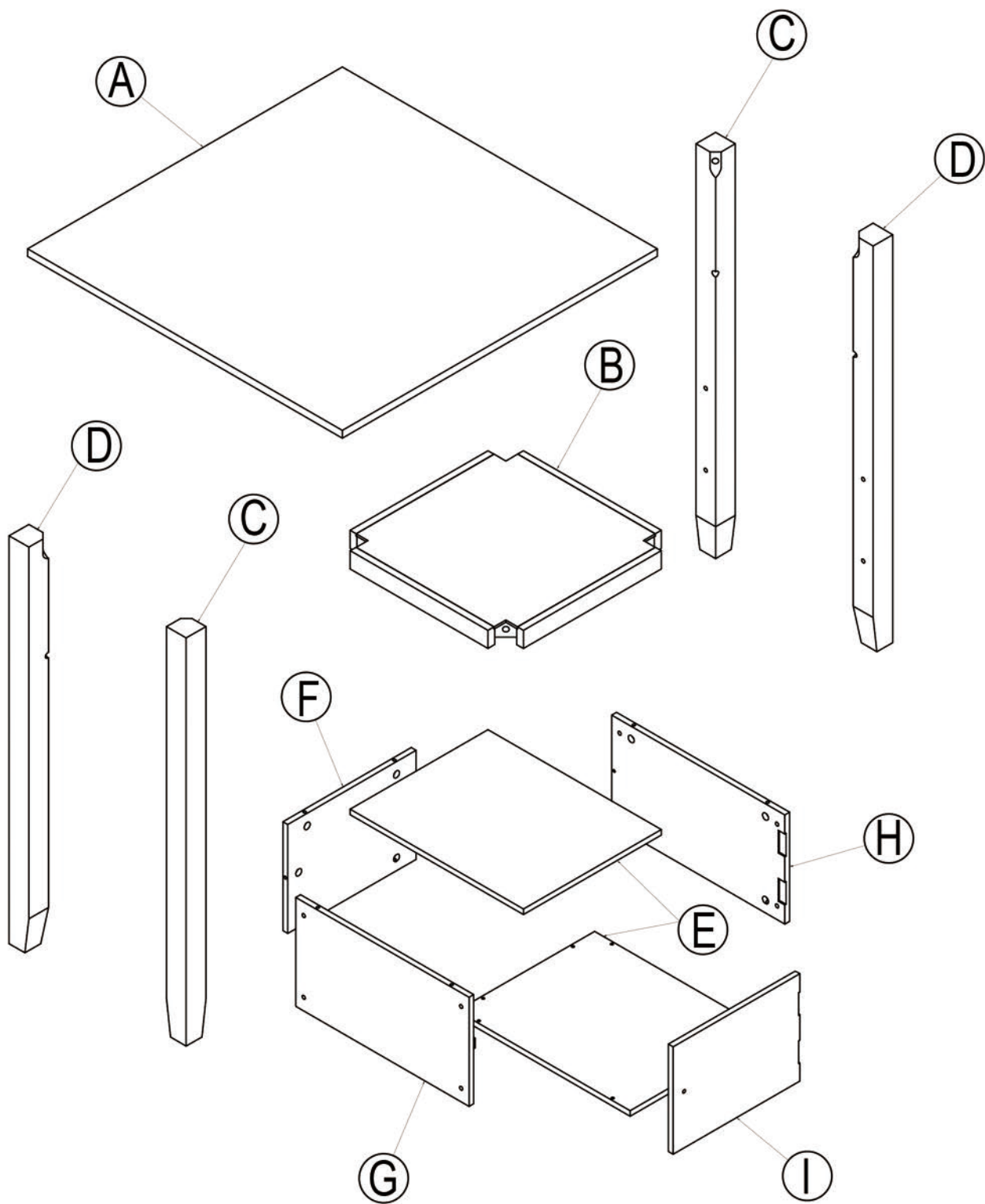
# ASSEMBLY INSTRUCTIONS

ITEM NO.WF212559



## IMPORTANT NOTE :

- ① PLACE ALL PARTS ON A CLEAN AND SMOOTH SURFACE SUCH AS A RUG OR CARPET TO AVOID THE PARTS FROM BEING SCRATCHED.
- ② BEFORE YOU BEGIN,KINDLY FOLLOW THE ASSEMBLY INSTRUCTIONS STEP BY STEP.
- ③ DO NOT TIGHTEN ALL SCREWS AND BOLTS UNTIL THE CHAIR IS FULLY SET-UP.



# Part List

# Hardware List

(A)

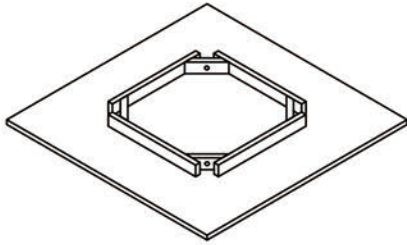


TABLE TOP (1 pc)

(1)



Ø 5/16" x 50 mm

BOLT (8 pcs)

(B)

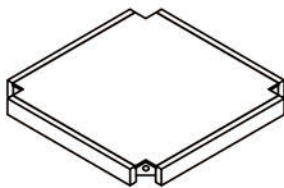


TABLE SHELVES (1 pcs)

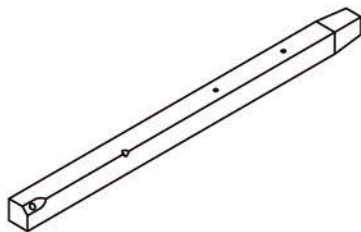
(2)



Ø 1/4" x 30 mm

BOLT (8 pcs)

(C)



LEG LEFT (2 pcs)

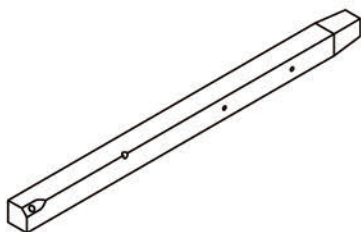
(3)



Ø5/16" x 13 mm

FLAT WASHER (8 pcs)

(D)



LEG RIGHT (2 pcs)

(4)



Ø5/16" x 19 mm

LOCK WASHER (8 pcs)

(E)



BOX TOP PANEL (2 pcs)

(5)

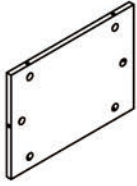

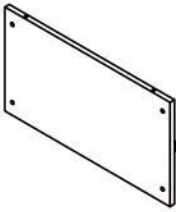
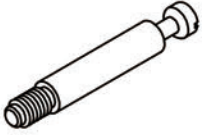
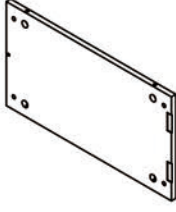
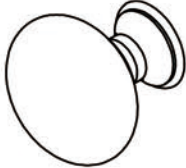
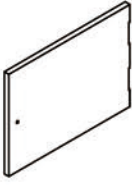

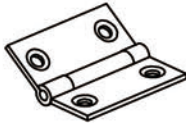



4 mm

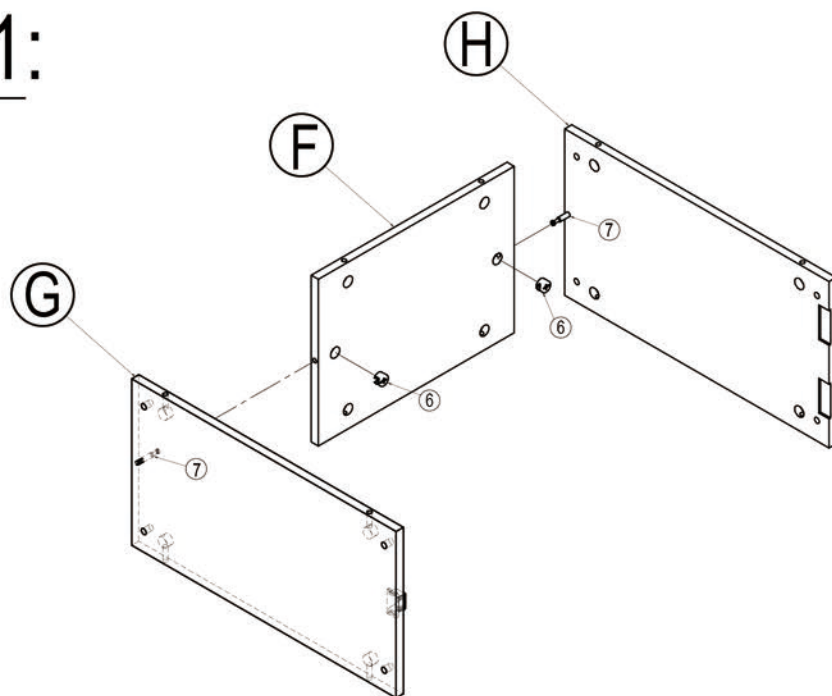
ALLEN KEY (1pc)

# Part List

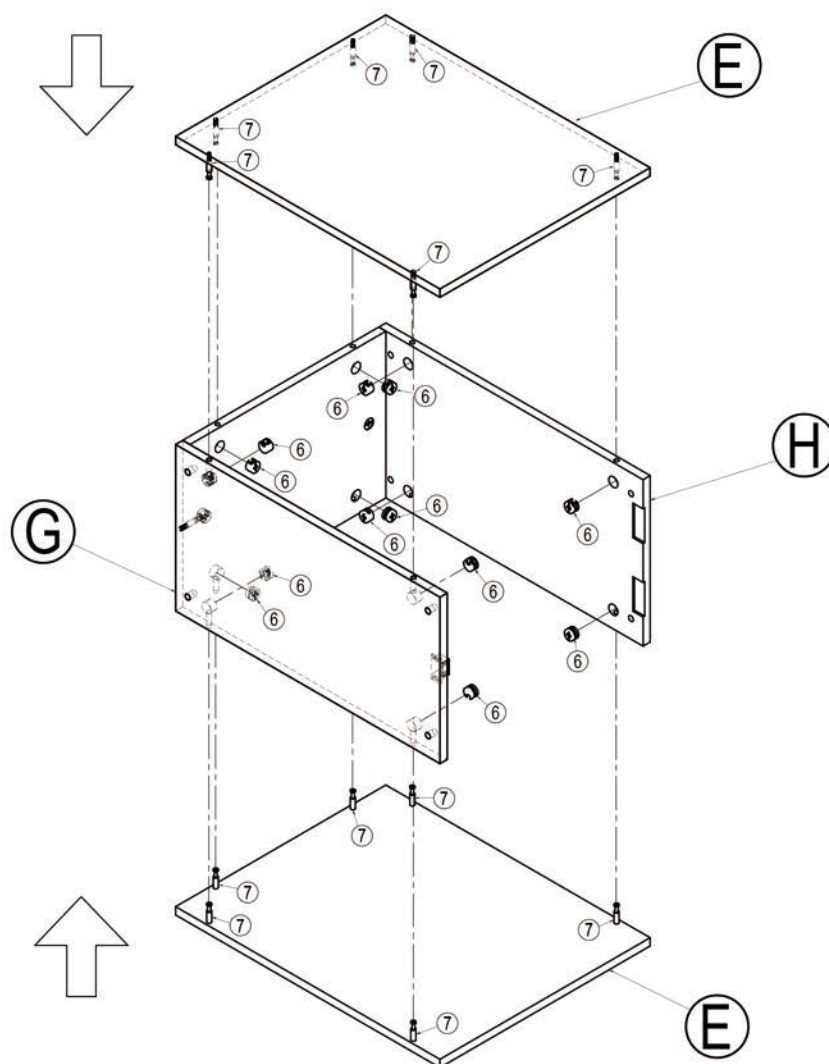
# Hardware List

<p>Ⓕ</p>  <p>BOX BACK PANEL (1 pc)</p>	<p>Ⓖ</p>  <p>15 x 9 mm CAM LOCK (14 pcs)</p>
<p>Ⓖ</p>  <p>LEFT BOX SIDE PANEL (1 pc)</p>	<p>Ⓙ</p>  <p>6.5 x 35 mm CAM BOLT (14 pcs)</p>
<p>Ⓖ</p>  <p>RIGHT BOX SIDE PANEL (1 pc)</p>	<p>Ⓒ</p>  <p>4 x 26 x 28 mm HANDLE (1 pc)</p>
<p>Ⓛ</p>  <p>BOX FRONT DOOR (1 pc)</p>	<p>Ⓙ</p>  <p>Ø4 x 20 mm HANDLE SCREW (1 pc)</p>
	<p>ⓁⓁ</p>  <p>38 x 32 x 1.5 mm DOOR HINGE (2 pcs)</p>
	<p>ⓁⓁⓁ</p>  <p>Ø 3 x 10mm WOOD SCREWS (8 pcs)</p>

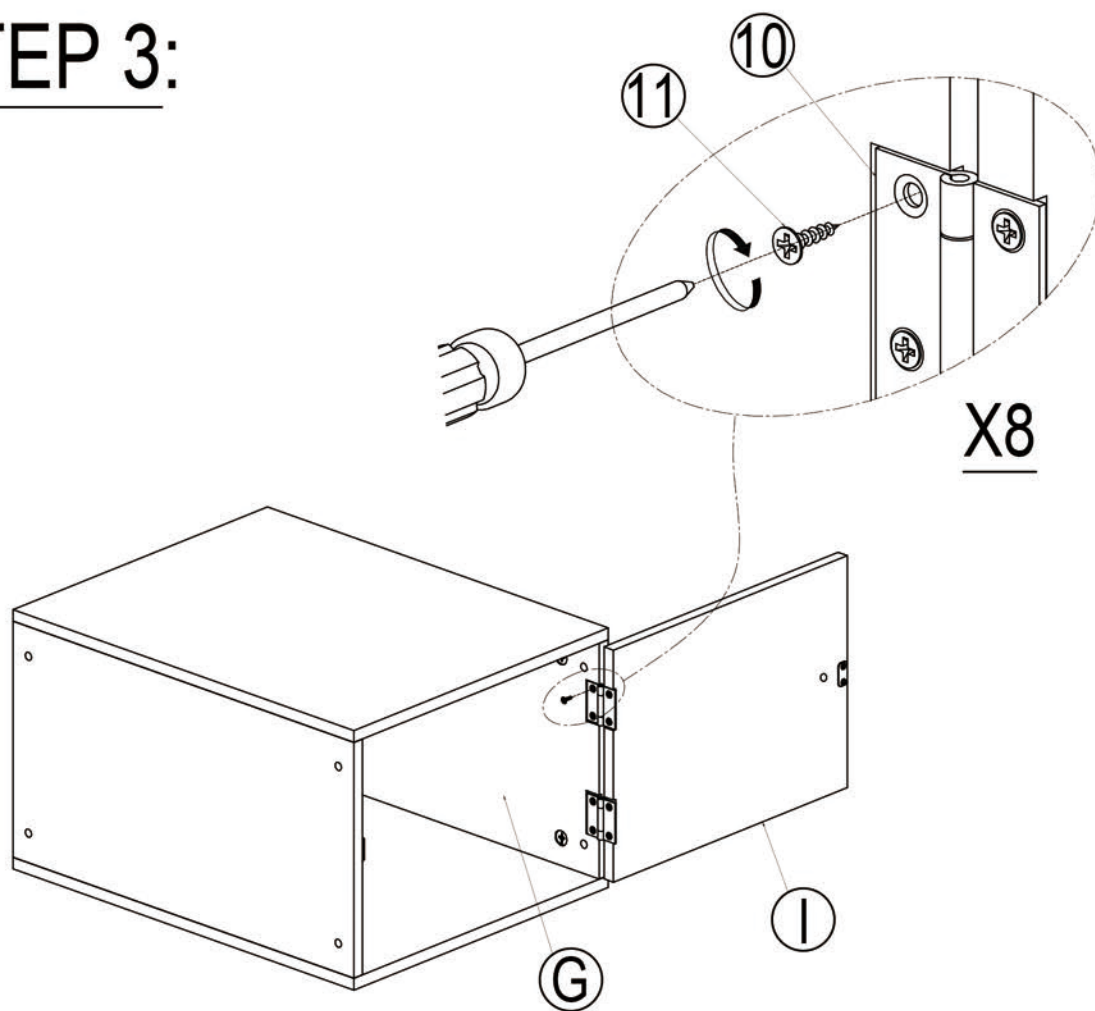
# STEP 1:



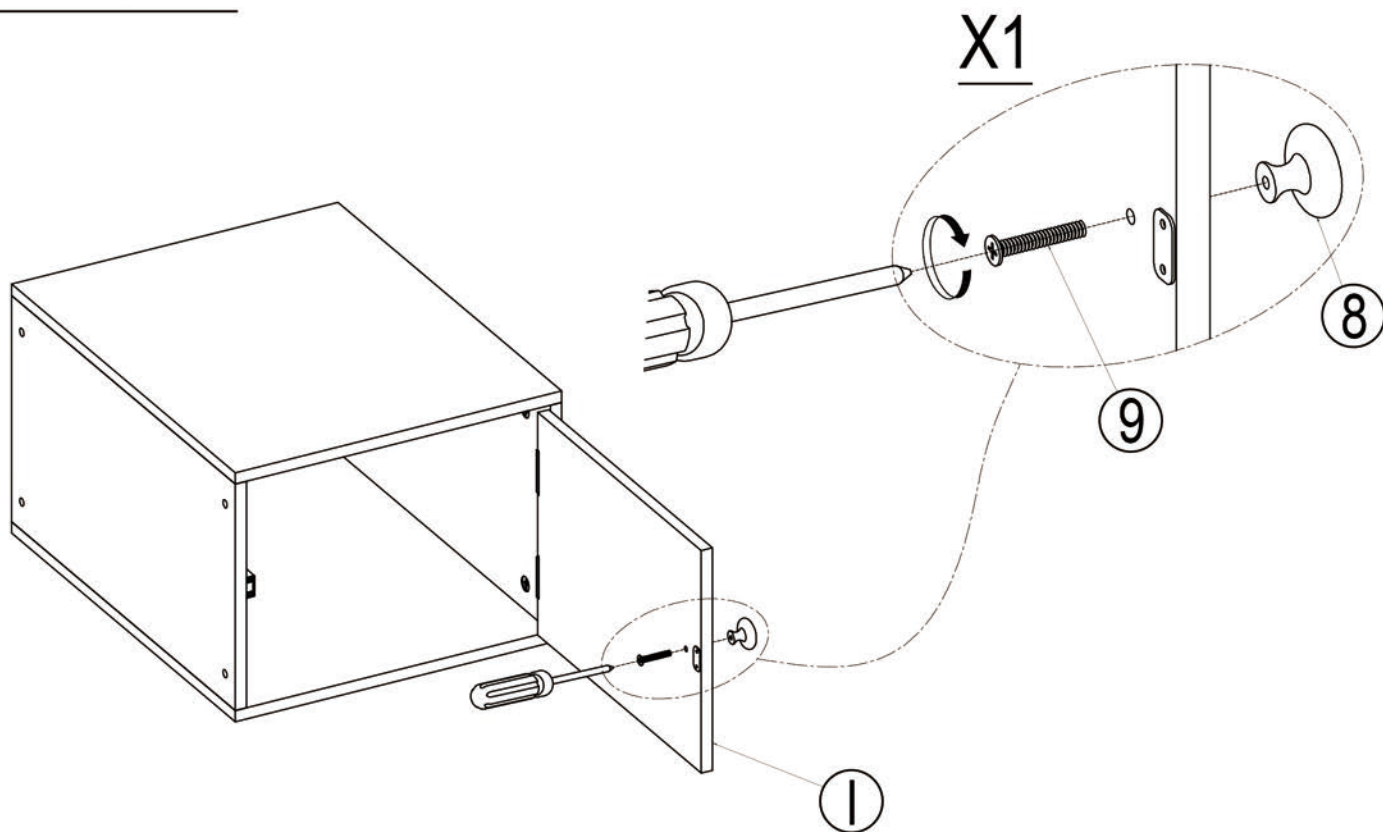
# STEP 2:



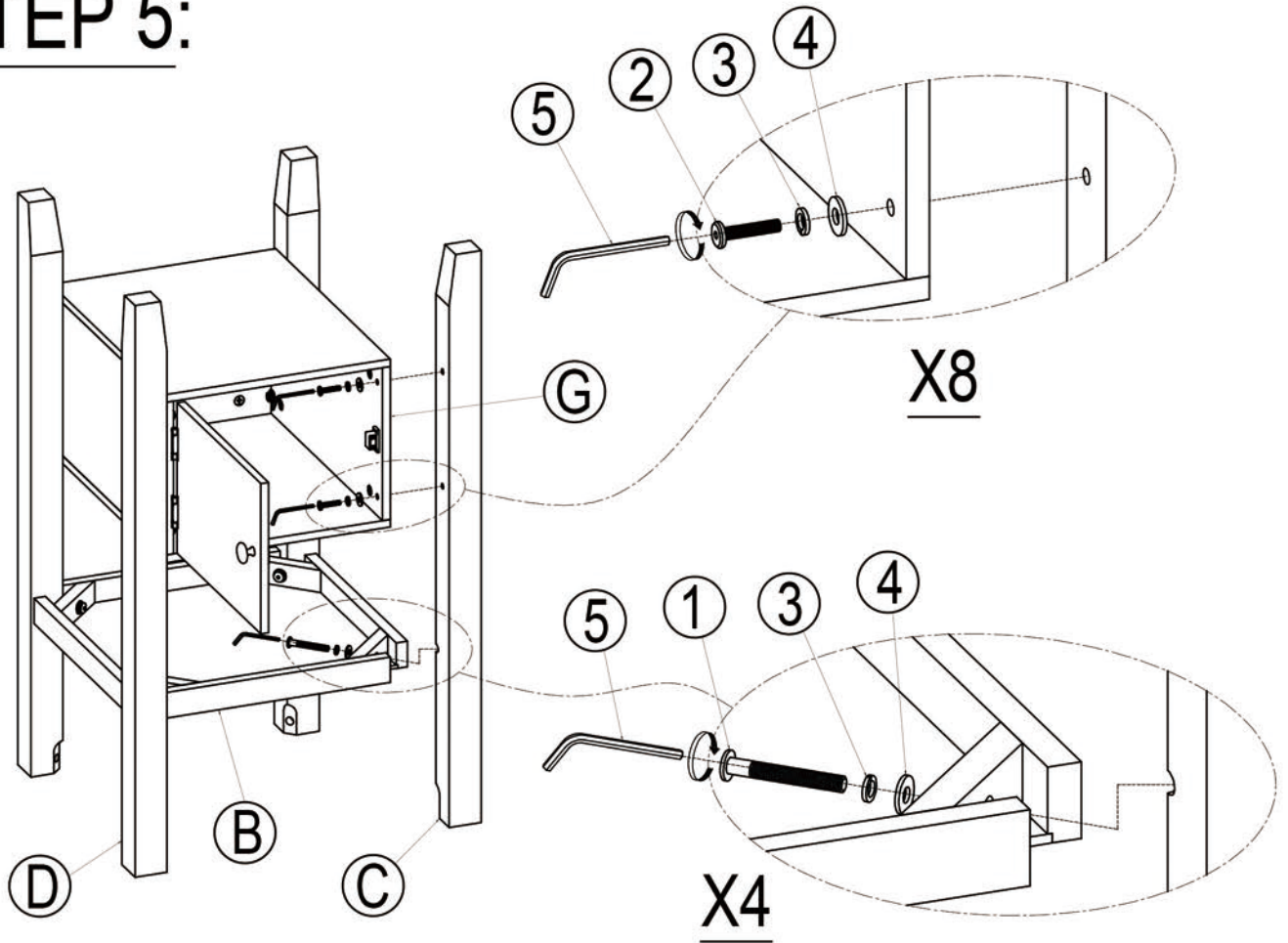
# STEP 3:



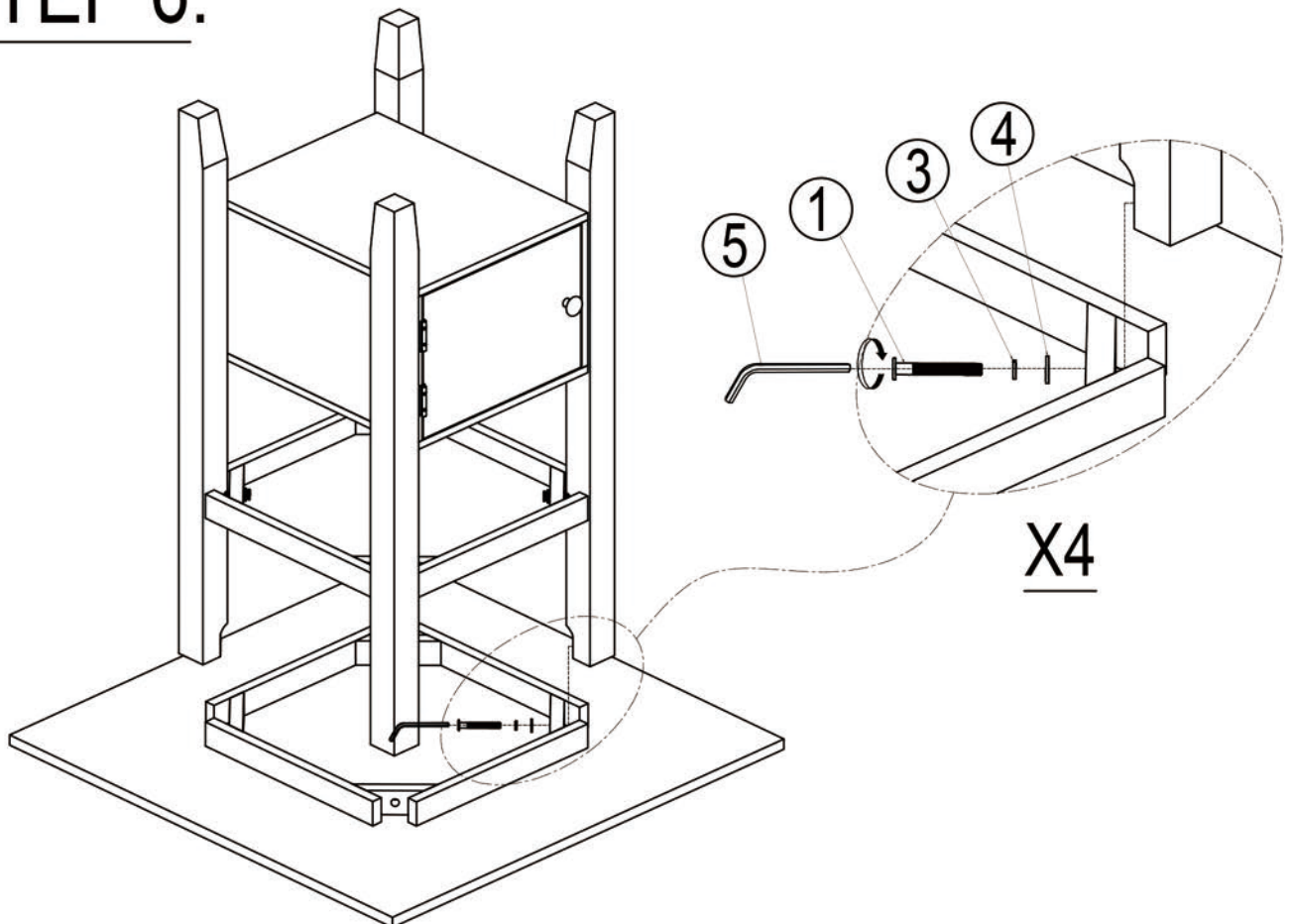
# STEP 4:



# STEP 5:

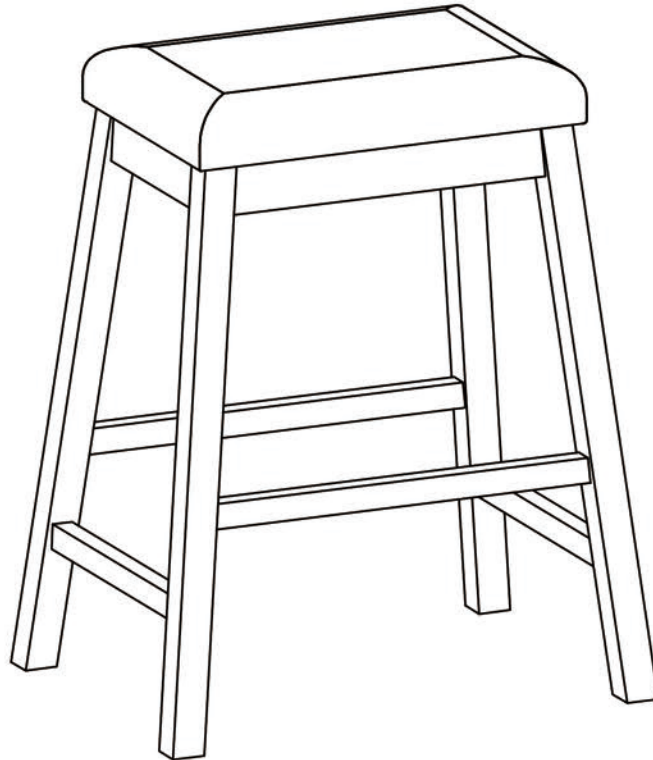


# STEP 6:



# ASSEMBLY INSTRUCTIONS

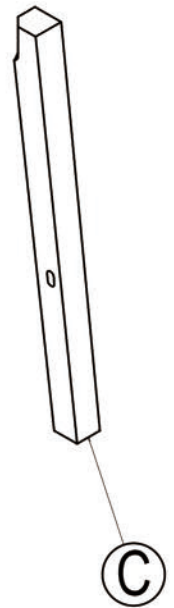
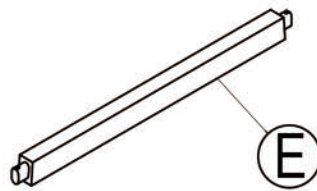
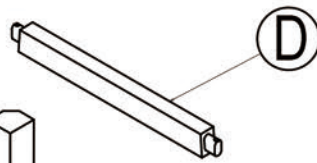
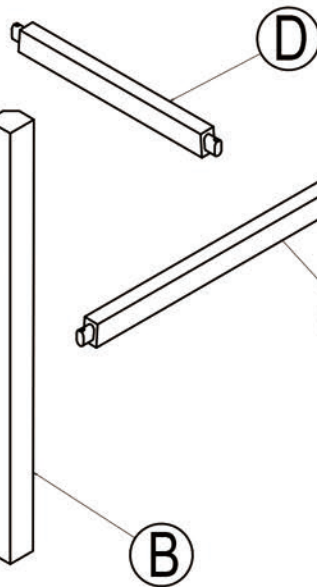
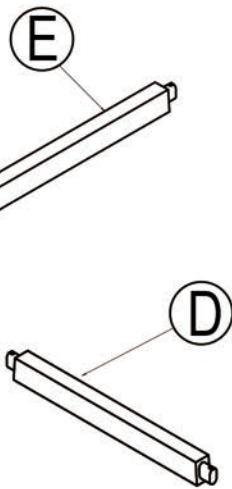
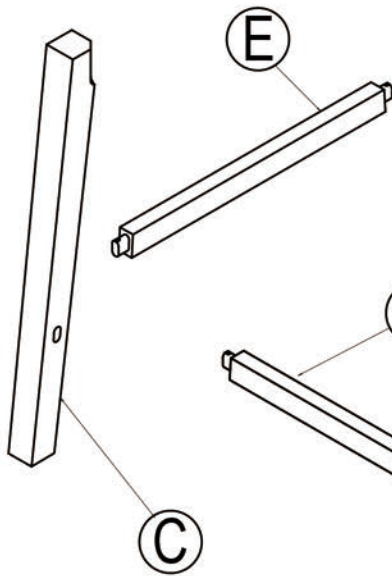
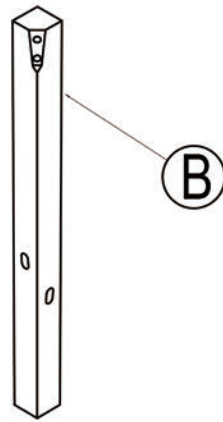
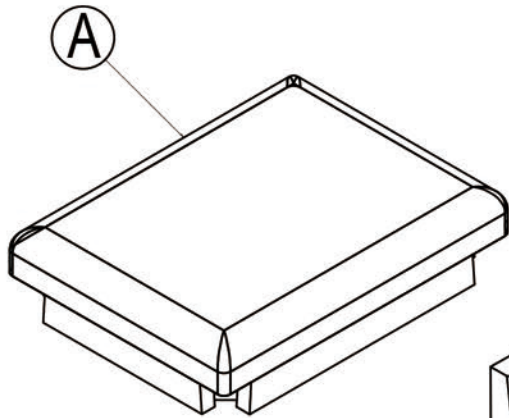
ITEM NO.WF212560



## IMPORTANT NOTE :

- ① PLACE ALL PARTS ON A CLEAN AND SMOOTH SURFACE SUCH AS A RUG OR CARPET TO AVOID THE PARTS FROM BEING SCRATCHED.
- ② BEFORE YOU BEGIN,KINDLY FOLLOW THE ASSEMBLY INSTRUCTIONS STEP BY STEP.
- ③ DO NOT TIGHTEN ALL SCREWS AND BOLTS UNTIL THE CHAIR IS FULLY SET-UP.

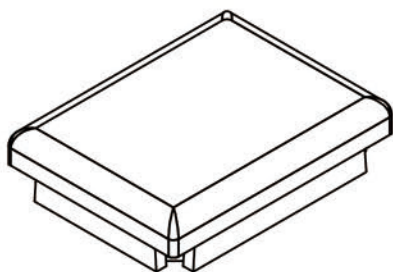




# Part List

# Hardware List

(A)



CUSHION SEAT (4 pcs)

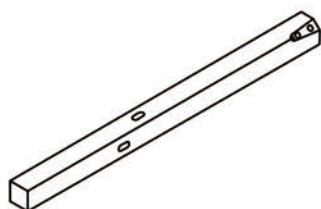
(1)



Ø 1/4" x 60 mm

BOLT (32 pcs)

(B)



LEG LEFT (8 pcs)

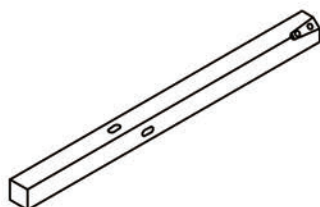
(2)



Ø5/16" x 13 mm

FLAT WASHER (32 pcs)

(C)



LEG RIGHT (8 pcs)

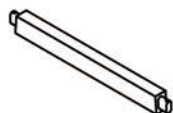
(3)



Ø5/16" x 19 mm

LOCK WASHER (32 pcs)

(D)



SHORT STRETCHER (8 pcs)

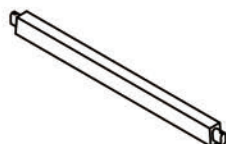
(4)



4mm

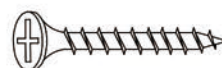
ALLEN KEY (1pc)

(E)



LONG STRETCHER (8 pcs)

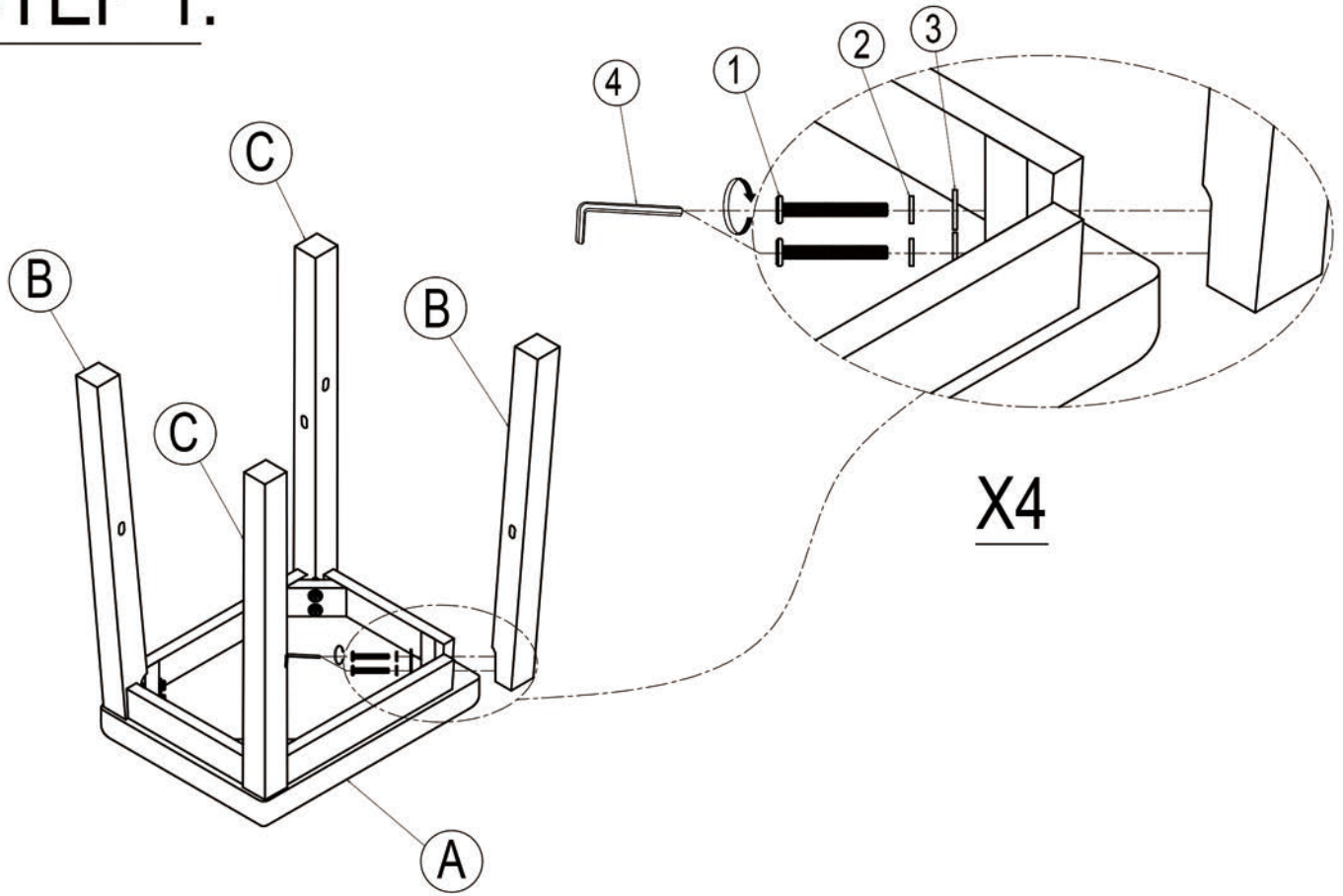
(5)



Ø 4 x 38 mm

WOOD SCREWS (32 pcs)

# STEP 1:



# STEP 2:

