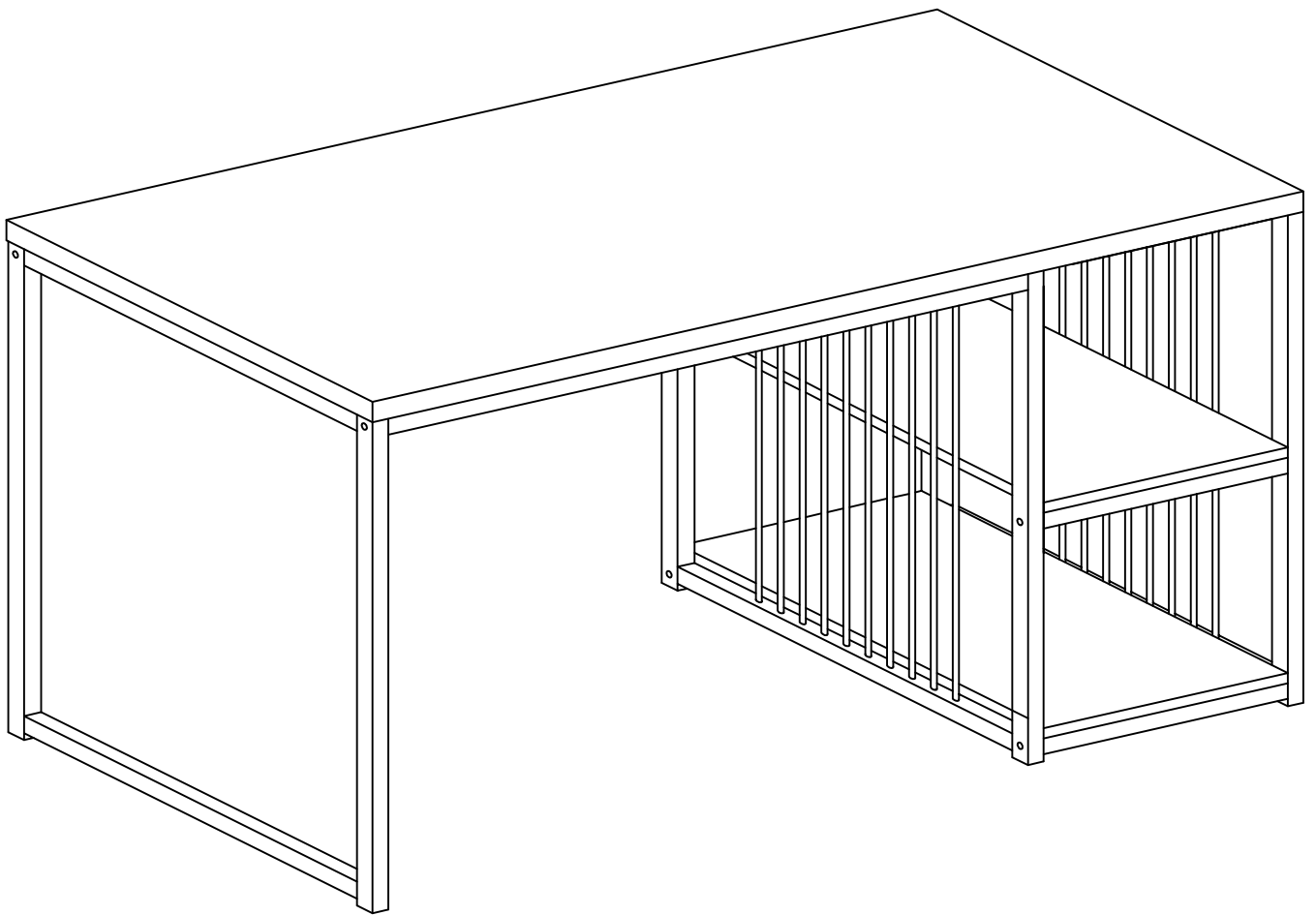
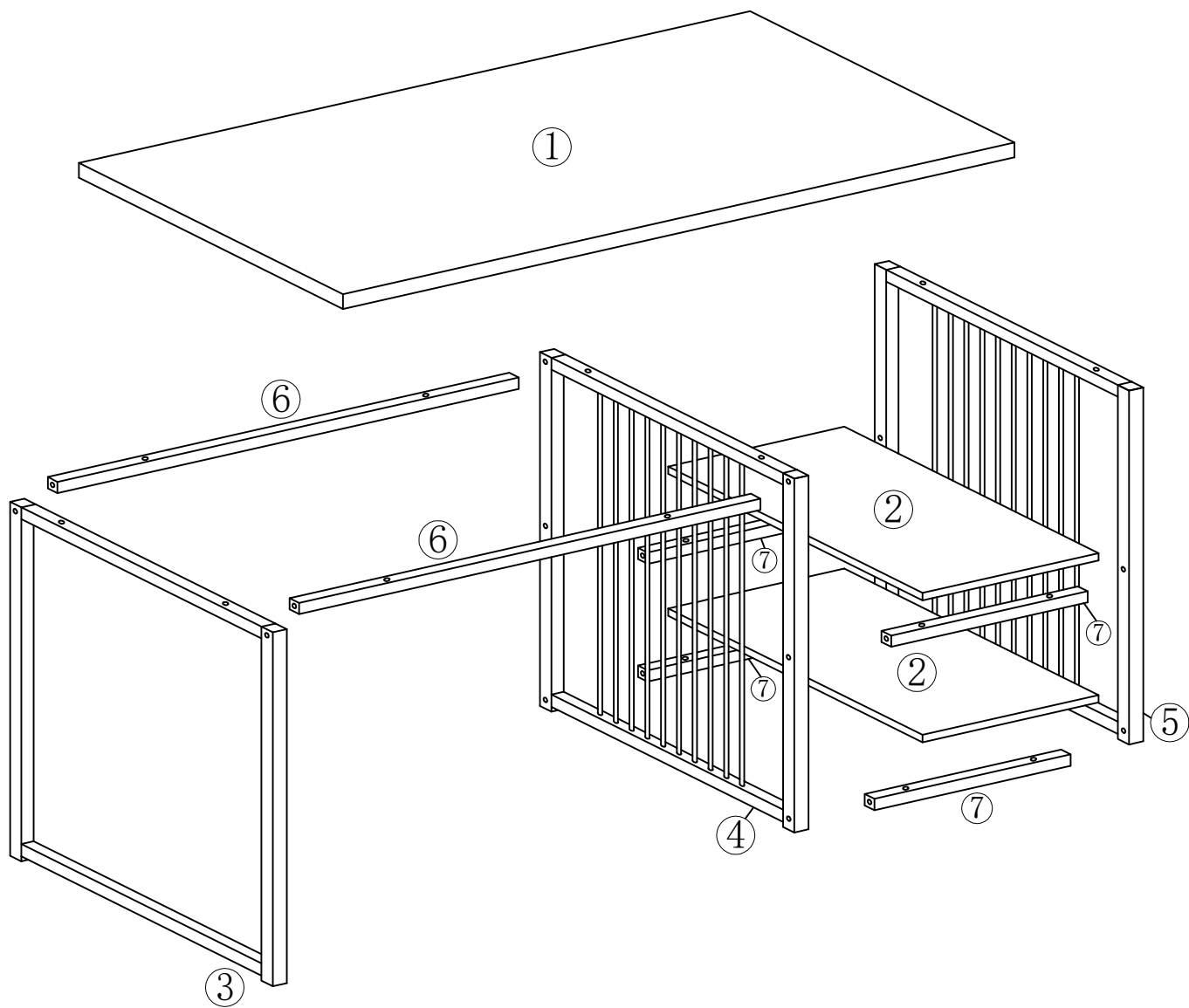
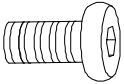
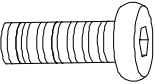
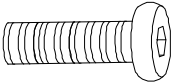



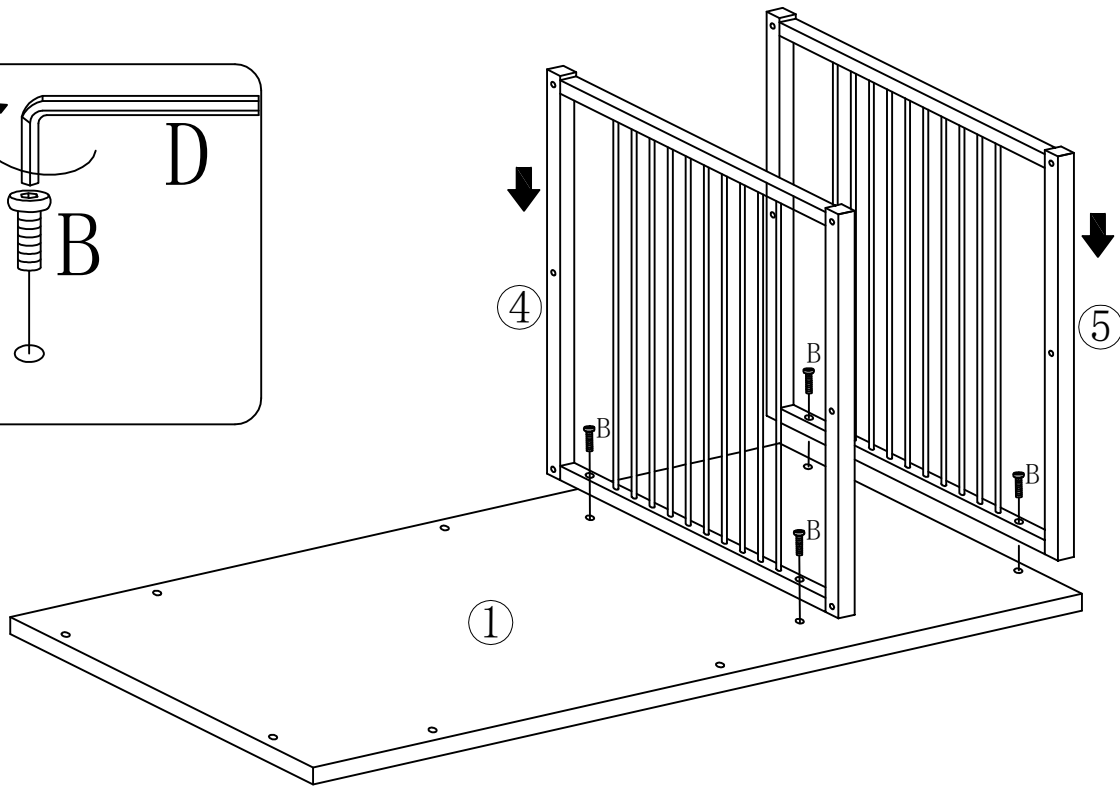
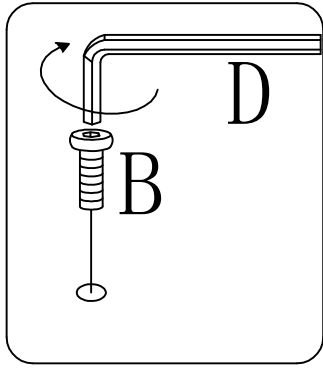
PP193977DAA







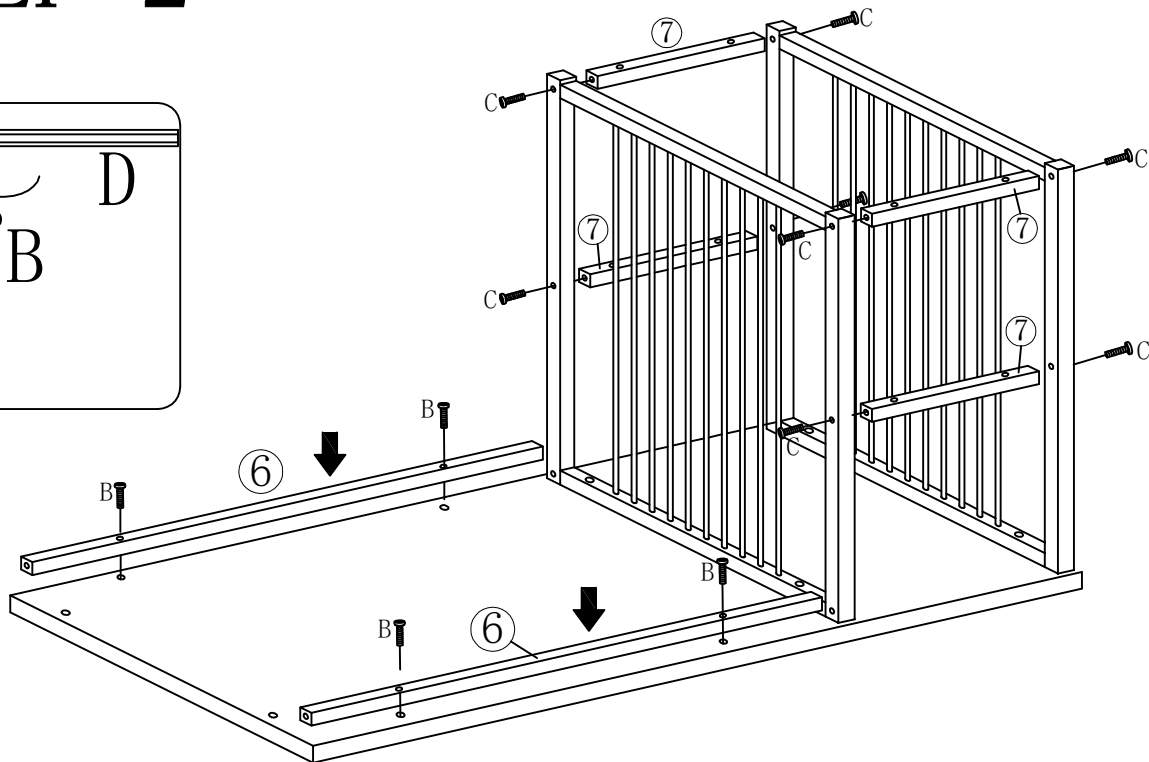
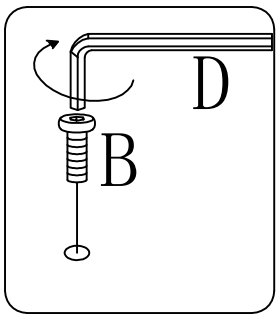
A	×8	B	×10	C	×12	D	X1
							
M6*35mm		M6*40mm		M6*45mm		M4X55	



STEP 1



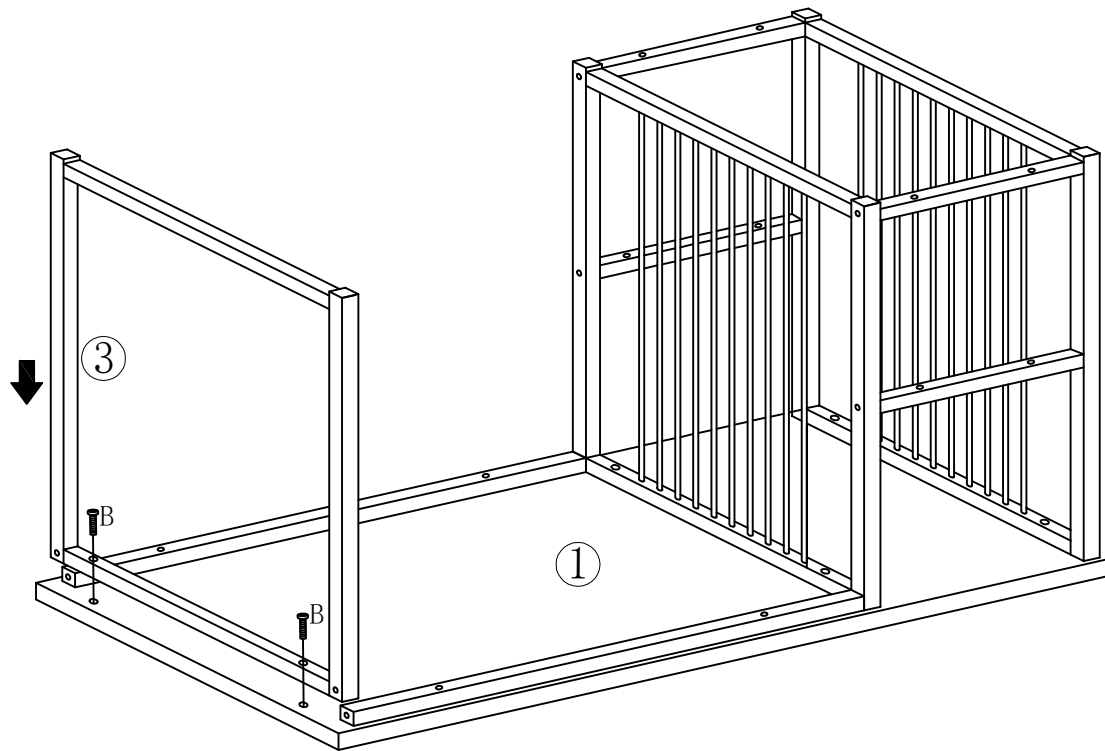
B	×4	D	X1
			
M6*40mm		M4X55	


STEP 2



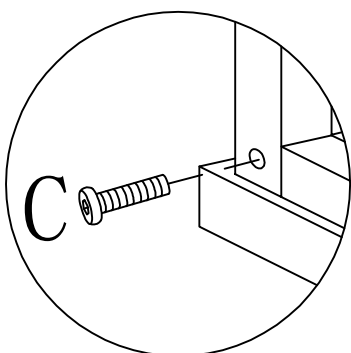
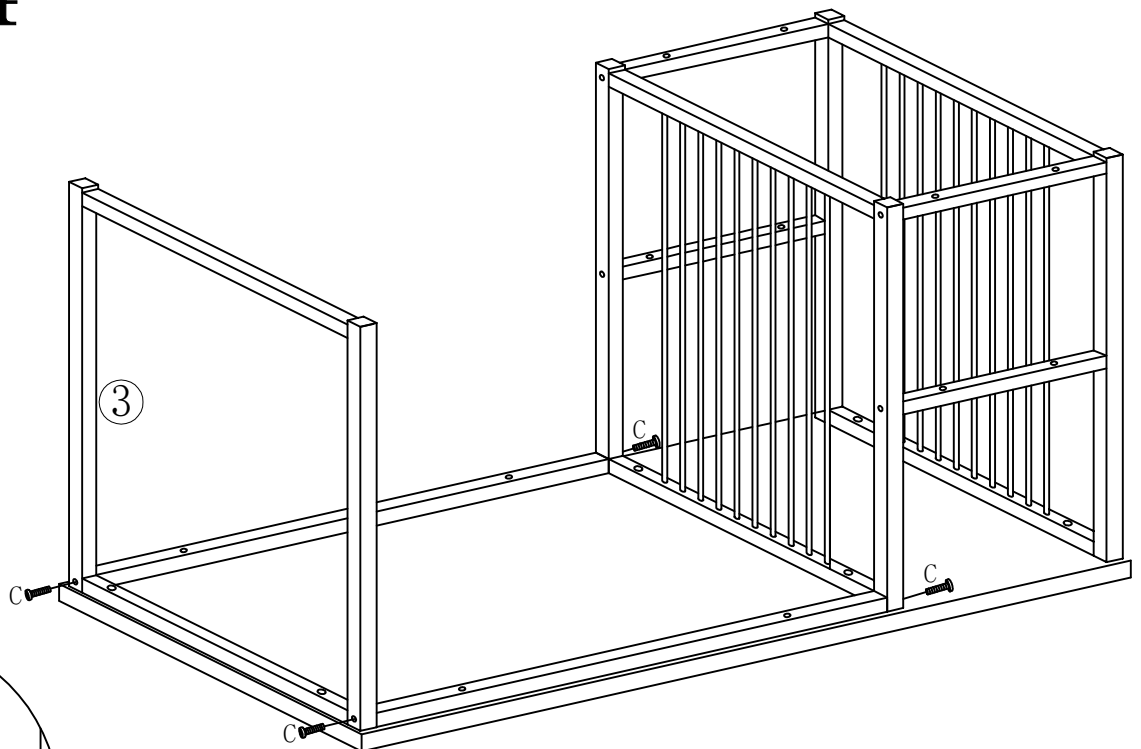
B	×4	C	×8
			
M6*40mm		M6*45mm	


STEP 3



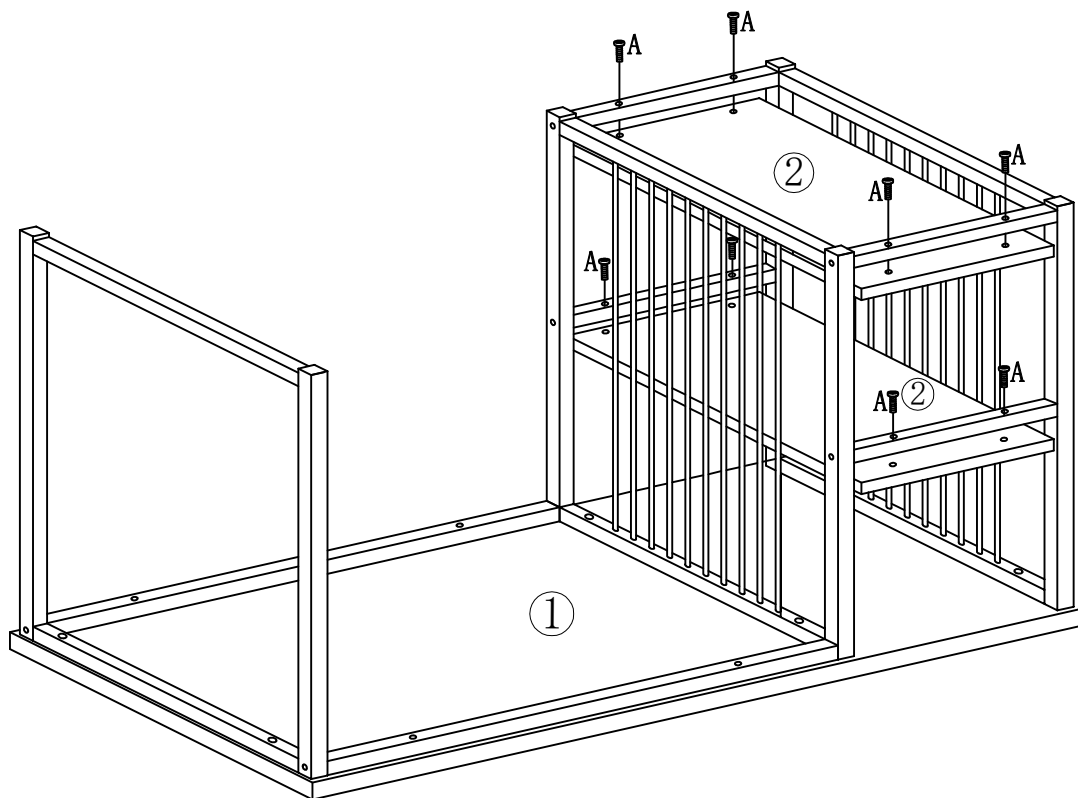
B	×2
	
M6*40mm	


STEP 4



C	×4
	
M6*45mm	

STEP 5



A	×8
	
M6*35mm	

STEP 6

