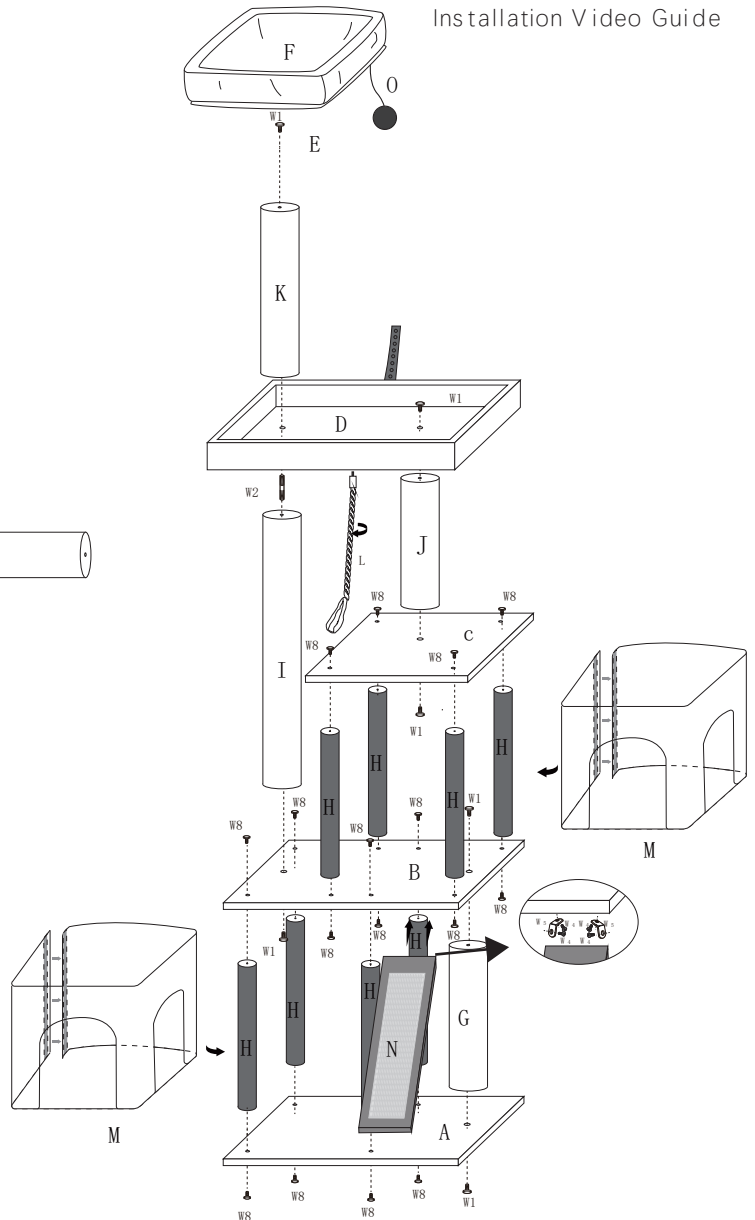
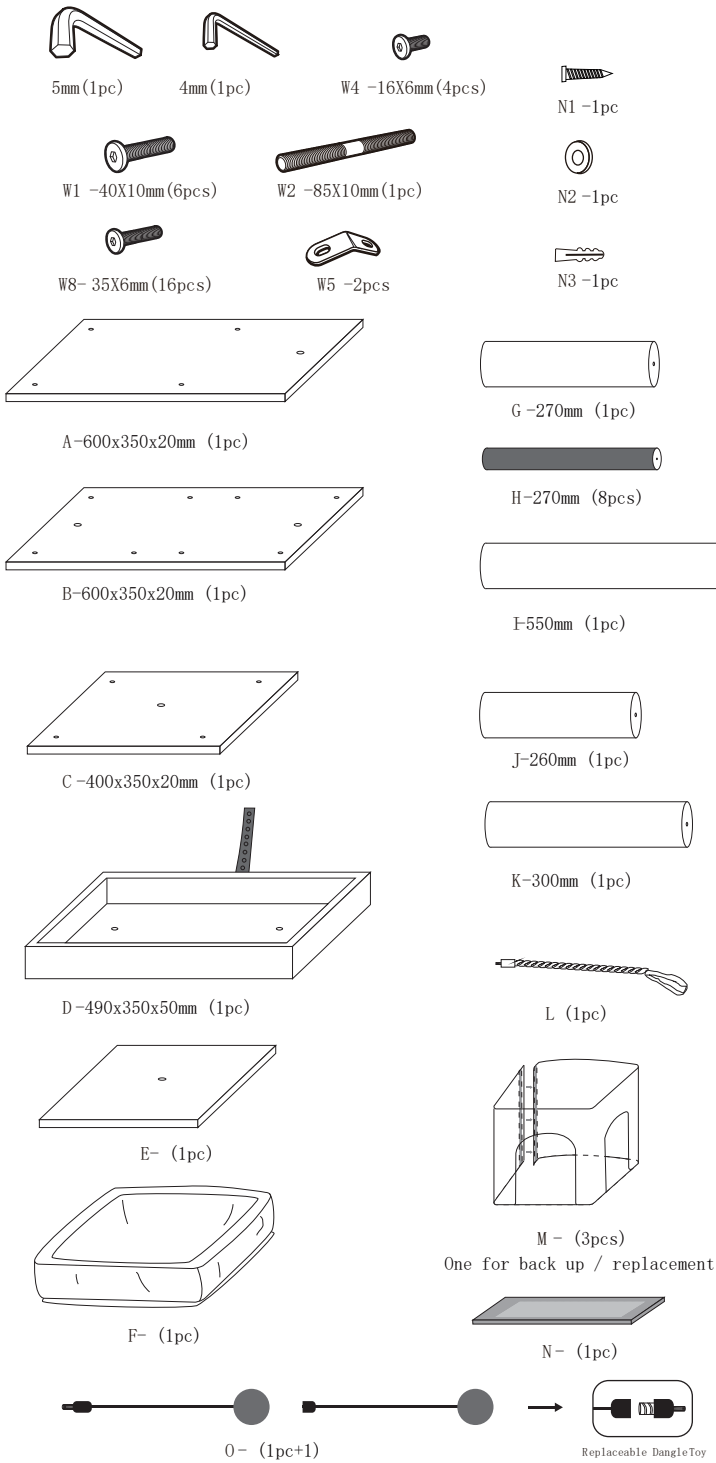


# AMT0030

scan here



Installation Video Guide



- We are committed to delivering customer-driven products that live up to your high standards.
- We encourage you to write a review sharing your experiences with the product.
- For further services:
- Email us for further assistance: [pawzroad@gmail.com](mailto:pawzroad@gmail.com).
- Subscribe our Youtube account "PAWZ Road" for Video Assembly Instruction.

# AMT0030

