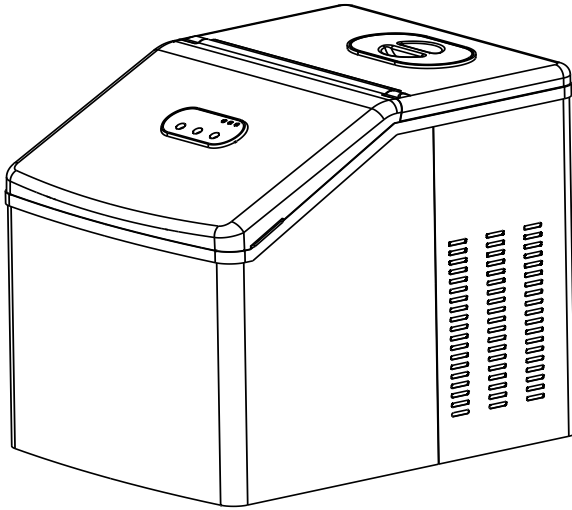


PORTABLE ICE MAKER

Instruction Manual

To ensure proper use and for your safety, please read the following instructions completely before operating this appliance.



BEFORE FIRST USE

To prevent any internal damage or compressor malfunction, it is very important to keep refrigeration units upright throughout the journey. please leave the unit standing upright for **24 Hours** before plugging it in.

PLEASE DO NOT RETURN TO STORE



**Please do not return this product to the retailer!!
We are able to assist you in ANY way**

If you find that you have any trouble with assembly or missing or damaged parts please contact the seller.

Important Safety Instructions

When you use electrical appliances, you should follow basic safety precautions, which can reduce the frequency of fire and electric shock, and reduce the risk of harm to people's property. So please read the instructions before using any electrical appliances.

- Do not use ice machines or other devices with damaged wiring. Do not use mechanical equipment or other tools to accelerate the thawing process, except those recommended by the manufacturer.
- If the power cord is damaged, in order to prevent danger, it must be replaced by the manufacturer or service agent or an equivalent qualified person. The ice maker must be placed so that it can be connected to the power source.
- Do not put the power cord on carpet or other insulation materials. Do not cover the power cord with debris. Keep it away from the debris area. Do not put the power cord in water. We do not recommend using an extension cord because it may heat up and cause fire. If you must use extension cord, please use a power cord with a thickness of at least 0.75 square millimeters or above 18 gauge, and a power cord with a rated voltage above 6A/250V. **This equipment must be grounded.**
- Please unplug the ice machine before cleaning or performing any repairs, and wipe the shell with a dry soft cloth to prevent liquid from flowing into the machine.
- Be cautious when children are around the machine.
- Do not use the ice machine outdoors. Keep it away from sunlight, and make sure that there are at least 6 inches of space around it.
- Do not use liquid other than drinking water to make ice cubes.
- Do not use flammable liquids to clean the ice machine, which may cause fire or explosion.
- In order to avoid the danger caused by the instability of the machine, it must be placed on a level surface.
- If the machine is used in winter, it must be restored to room temperature before it can be turned on for normal use.
- People with poor health, poor sensory or mental abilities, and inexperienced people (including children) are not suitable for using this device, unless they are under the supervision or guidance of a guardian.
- Supervise children to ensure that they do not play with the device.
- Please dispose of the flammable gas of refrigerant and blowing agent according to the relevant local regulations. To discard the ice machine, please send to the recycle bin to prevent children from getting it.

IMPORTANT:

Power Circuit Wiring Color Codes

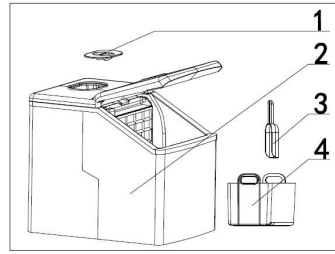
Green and Yellow: Ground Wire

Blue: Charged

Brown: Charged

Understand the steps

1. Water Tank Cover
2. Body
3. Ice Scoop
4. Basket



1. Remove the inner and outer packaging, check whether the ice basket and ice scoop are in the sink. If any of them are not, please contact the seller.
2. Choose an appropriate location to place the equipment. Make it easy to plug in the power source, avoid direct sunlight and other heat sources (such as stoves, radiators), and place it horizontally to ensure that there is at least a space between the ice maker and the wall 6 inches of space.
3. Before starting the ice making, you can add water to the water tank to FULL position marked inside. Do not add water to any place other than the water tank.

Warning: Only Use Drinking Water to Make Ice.

If you do not use this product for 24 hours, it is recommended to take out the ice cubes from the ice basket to avoid the ice cubes from melting and the water level in the sink rises, which will increase the next ice making time.

*** Incorrect use of the grounding plug can cause danger. If the power cord is damaged, please contact the seller.**

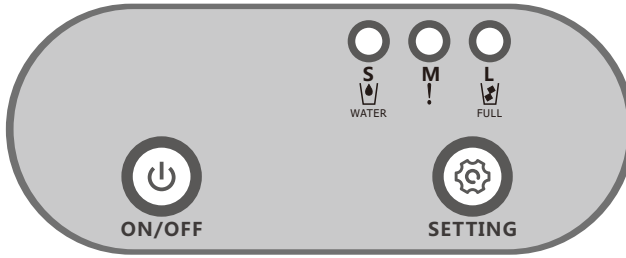
1. For your safety, the equipment should be properly grounded. The power cord of the ice machine must be plugged into a socket.
2. Do not cut off the power cord. Failure to follow these instructions can result in death, fire, or electrical shock.

Use ice maker

1. Remove the top cover of the water tank, add drinking water, and then close the cover to keep foreign objects out.

Note: Make sure the water is below the FULL level marked inside the tank

2. The power cord plug must be firmly and safely inserted into the socket.
3. There will be an alarm when the power is on, indicating the power is on.



4. Understanding the Indicator Light

Color	Status	S	M	L
Green Light	ON	Small Size	Medium Size	Large Size
	FLASH	Power is ON		
Red Light	ON	Standby Mode: Water Shortage/ The float is stuck	Temperature sensor is faulty (short circuit or open circuit)	Ice is full
	FLASH	Working Mode: Water Shortage/ The float is stuck	Refrigeration or skateboard mechanical failure (3 lights flash simultaneously)	

Refer to the Troubleshooting on page 6 first if the machine malfunctions.

5. Function Buttons

The ON/OFF button is power button. SETTING button is select button. Each time you press the button, it beeps once.

- 1) ON/OFF button: In standby mode, press this button to turn on the unit. Long press for 3 seconds to drain. In power on mode, press this button to enter the standby mode after performing the the selected setting.
- 2) SETTING: Press this button to select Small/ Medium/Large size ice. In power on mode, long press for 3 seconds to force de-icing.

Warning: Do not pour ice into the sink located at the bottom of the ice basket, which will damage the pump.

Cleaning & Maintenance of Your Ice Machine

1. Take out the ice basket and ice scoop. Wet a soft cloth with environmentally friendly detergent diluted with warm water, and wipe the machine and accessories clean.
2. Rinse the water tank, sink, ice basket and ice scoop with normal temperature drinking water, and then unscrew the cover of the drain on the back of the machine to drain the water.
3. The outside of the ice maker should be cleaned and wiped regularly with a soft cloth soaked in a liquid diluted with environmentally friendly detergent in room temperature water.
4. Finally, wipe the inside and outside with a clean soft cloth.
5. If the ice maker is not used for a long time, turn on the power and open the drain cover to drain all the water.

Note: After using the ice machine for a long period of time (360 hours), it must be cleaned. In particular, clean the ice-making water supply pipe and water filter regularly. The water in the water tank must be replaced once if it has not been used for more than 96 hours to ensure the cleanliness of the water. If the machine is not used for a long time, drain the remaining water in the water tank and sink.

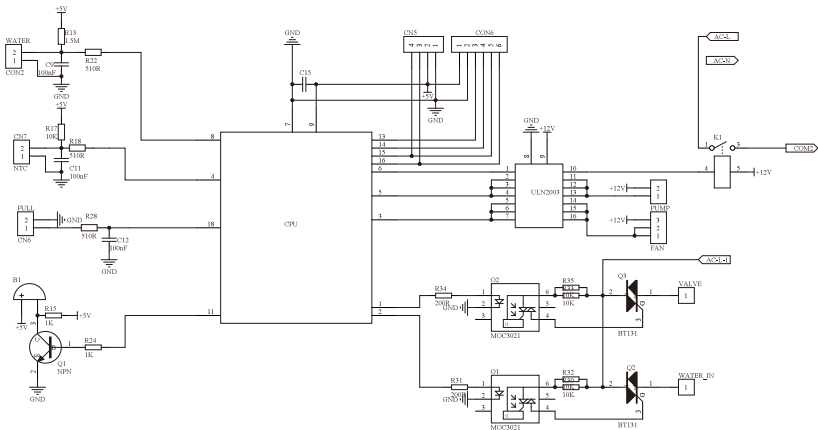
1. When you hear that the compressor and the water pump are working, but there is no water flowing out of the ice-making water supply pipe, please turn off the ice maker and remove the ice-making water supply pipe for cleaning. Make every hole on the pipe wall unobstructed and use a brush to clean it. Water strainer in the sink. After cleaning, be sure to
The end of the ice-making water supply pipe is firmly connected with the silicone tube, and the ice-making water supply pipe and the water filter in the sink are the same as before.
2. For the cleaning of the sink and water tank, clean and wipe with a soft cloth that is diluted with environmentally friendly detergent in room temperature water. Rinse the sink and water tank several times with drinking water at room temperature, and then unscrew the lid of the drain on the back to drain the water. . This will keep the machine clean and the transparency of the ice cubes produced, and at the same time make the machine work normally.

Troubleshooting

Malfunction	Possible Causes	Solution
The machine stops working, and the "ADD WATER" indicator is on or flashes	There's not enough water supply.	Add water to the water tank to full water level. STANDBY MODE: Press power button to turn on the unit. WORKING MODE: Red light (ADD WATER) turns off, green light turns on, the unit resume working automatically.
"FULL ICE" indicator light is on	Too much ice	Take the ice cubes out of the ice basket
The water tank is full, but "ADD WATER" indicator is still on or flashing	The float which under the basket is stuck.	Clean up the debris stuck in the float
		Clean the water filter
No water comes out of the ice-making water supply pipe	The hole wall of the ice-making water supply pipe is blocked	Please turn off the ice maker and remove the ice-making water supply pipe for cleaning, so that every small hole on the pipe wall is unobstructed
The water in the water tank is cold, but ice cubes cannot be made	The inside of the machine is too dirty	Cleaning the sink and ice making tank
	Or the water used is not clean enough	Change clean water
When removing ice, the ice comes out diagonally or the ice cannot come off	The ice machine is not placed flat	Please adjust the height of the four bottom corners of the machine to make it level
The ice making cycle is normal, but no ice comes out	The ambient temperature or water temperature is too high	Please use the ice maker at 60~90°F , and use low temperature drinking water or pure water to make ice
	Refrigerant leak	Contact the seller for help
	Damaged cooling system	Contact the seller for help

Technical parameters and circuits

model	ES212885AAB
climate type	N
Protection method	I
power	160W
The refrigerant	R290/29g



Warranty



Note: the gas discharged from the ice machine is easy gas, the disposal of these gas, should comply with the relevant regulations.

Warranty information:

*Warning: maintain ventilation. Keep the air clear outside and inside the machine.

*Warning: do not break the refrigerant pipe.

The warranty only covers damage caused by defects in the material or technology itself. For repairs within the warranty period, please come to the authorized service center and bring the original invoice.

Failure to guarantee:

- Wear and tear
- Incorrect use. For example: overload, use of non - standard accessories.
- Intentional injury.
- Damage caused by non-compliance with the user's manual. For example, an inappropriate point source is connected.
- Partial or complete removal of equipment.