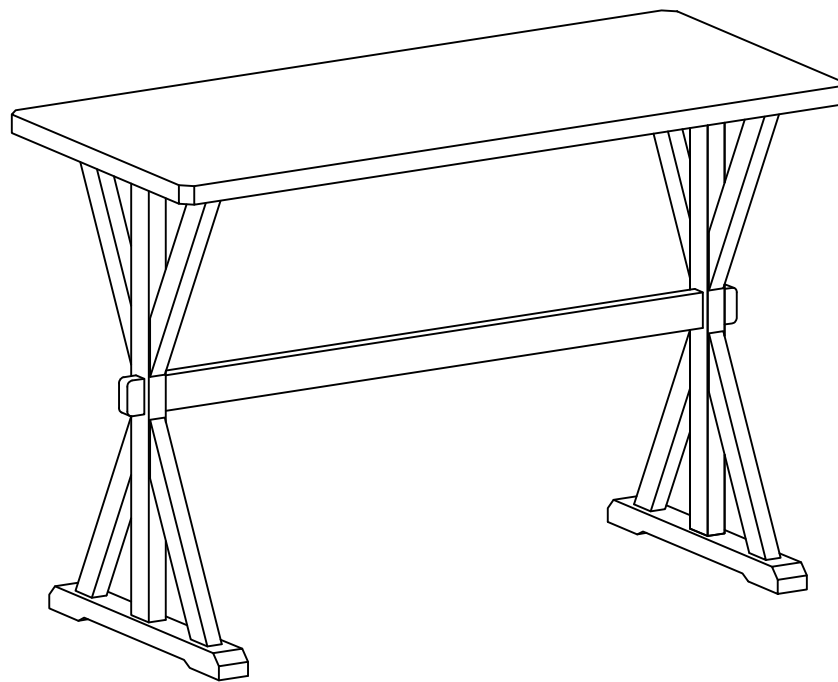


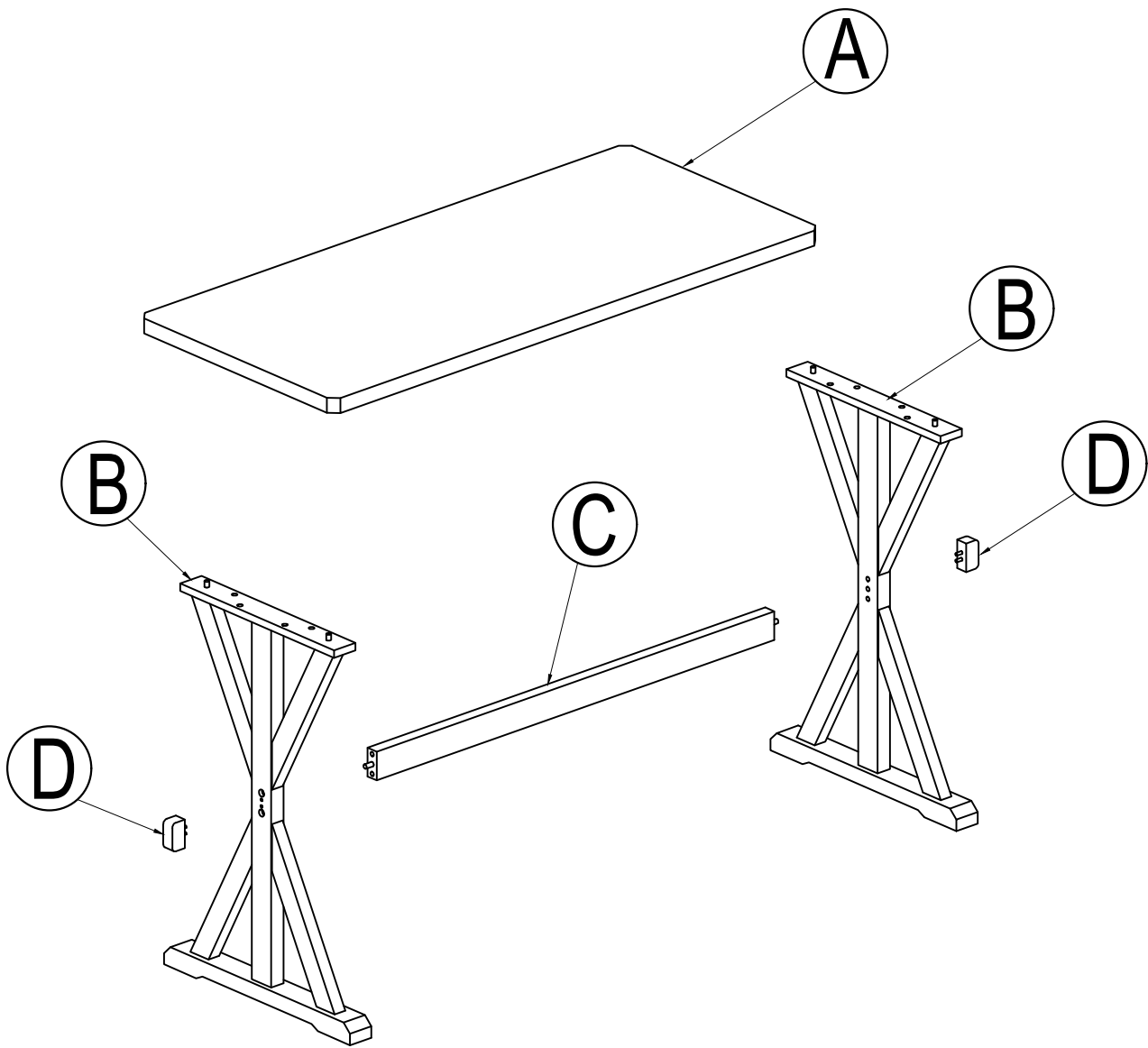
ASSEMBLY INSTRUCTIONS

ITEM NO.WF212550



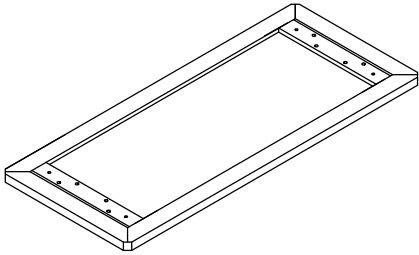
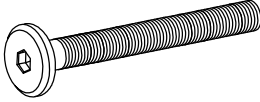
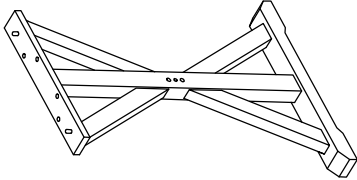

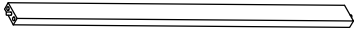
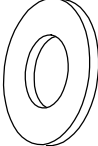
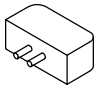

IMPORTANT NOTE :

- ① PLACE ALL PARTS ON A CLEAN AND SMOOTH SURFACE SUCH AS A RUG OR CARPET TO AVOID THE PARTS FROM BEING SCRATCHED.
- ② BEFORE YOU BEGIN,KINDLY FOLLOW THE ASSEMBLY INSTRUCTIONS STEP BY STEP.
- ③ DO NOT TIGHTEN ALL SCREWS AND BOLTS UNTIL THE CHAIR IS FULLY SET-UP.

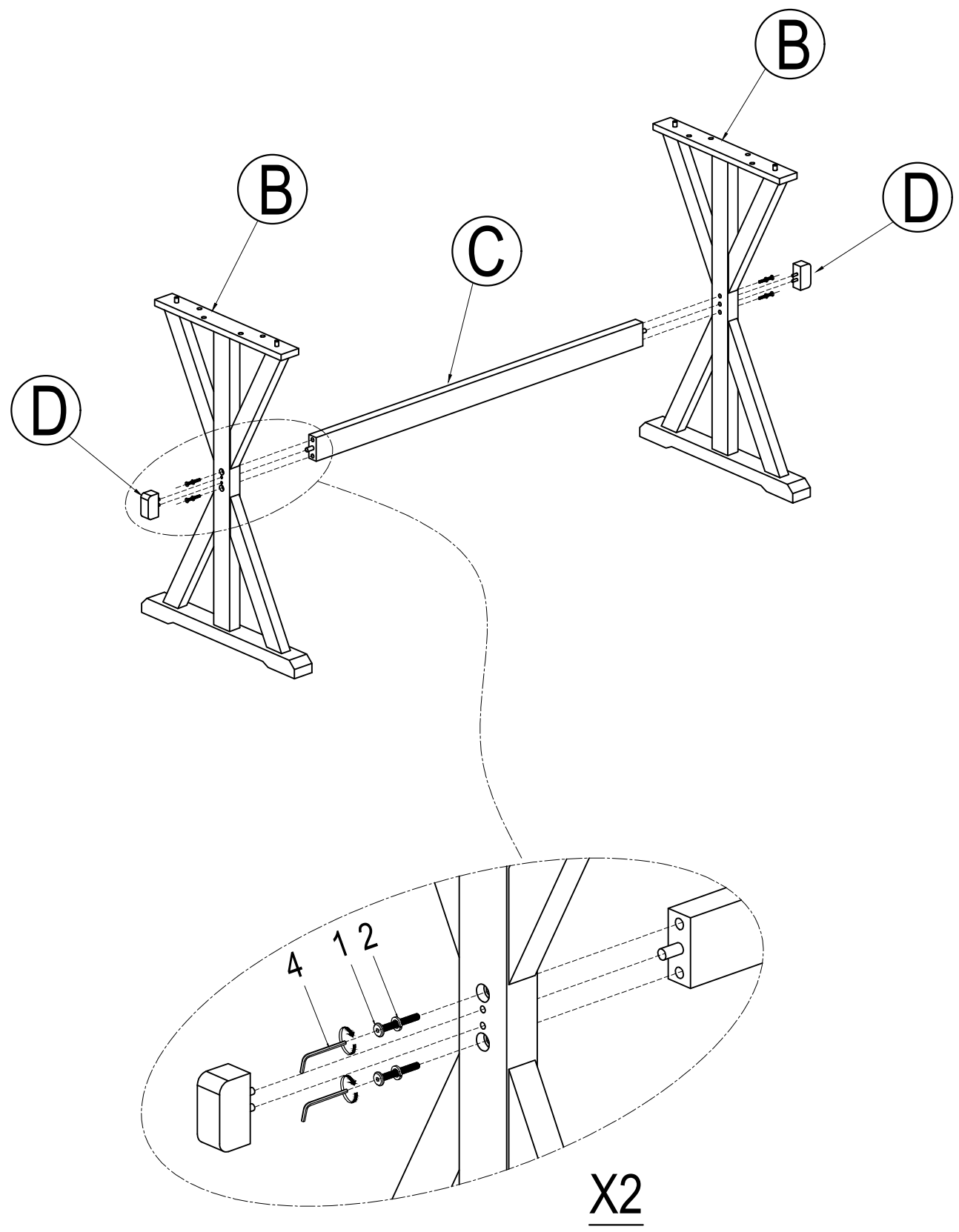


Part List

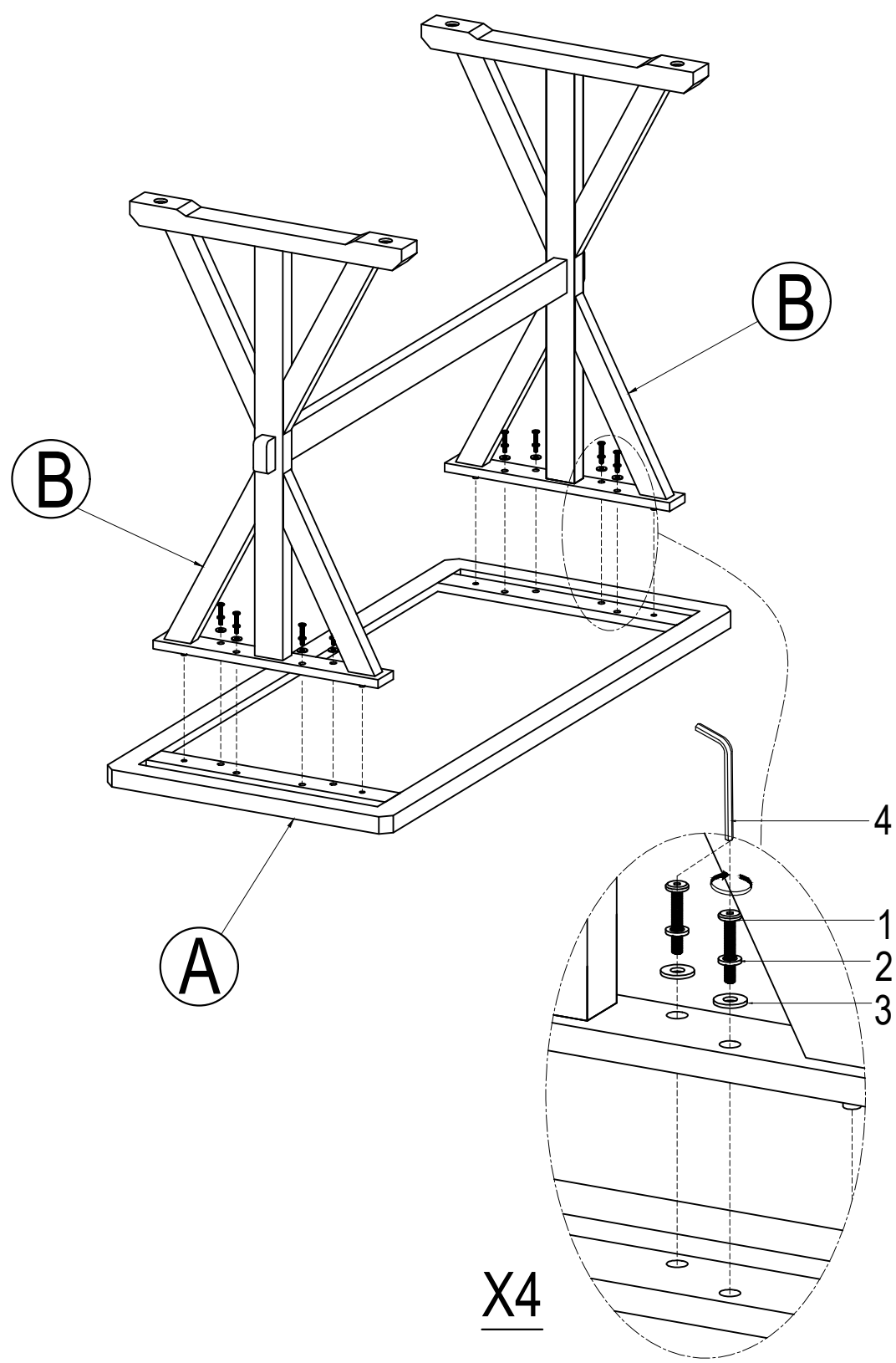
Hardware List

<p>(A)</p> 	<p>(1)</p>  <p>Ø 5/16" x 45 mm</p>
<p>TABLE TOP (1 pc)</p>	<p>BOLT (12 pcs)</p>
<p>(B)</p> 	<p>(2)</p>  <p>Ø5/16" x 13 mm</p>
<p>TABLE LEG (2 pcs)</p>	<p>FLAT WASHER (12 pcs)</p>
<p>(C)</p> 	<p>(3)</p>  <p>Ø5/16" x 19 mm</p>
<p>STRETCHER (1 pc)</p>	<p>LOCK WASHER (8 pcs)</p>
<p>(D)</p> 	<p>(4)</p>  <p>4 mm</p>
<p>DECORATIVE BEETLES (2 pcs)</p>	<p>ALLEN KEY (1 pc)</p>

STEP 1:

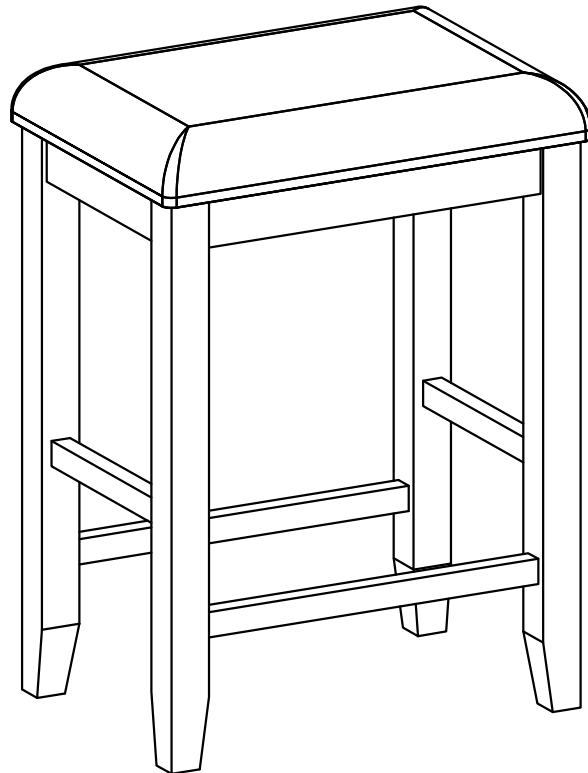


STEP 2:



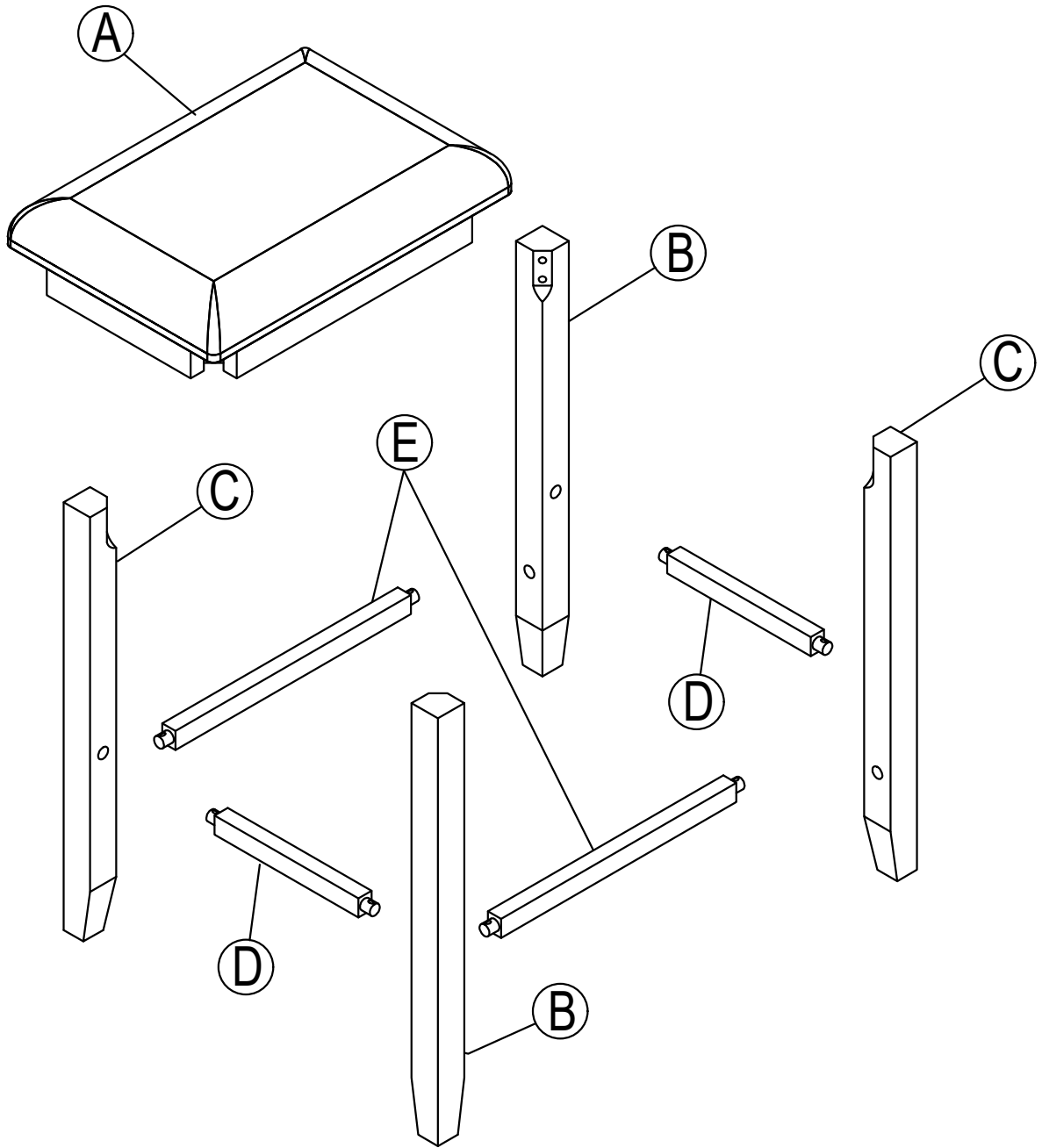
ASSEMBLY INSTRUCTIONS

ITEM NO.WF212550



IMPORTANT NOTE :

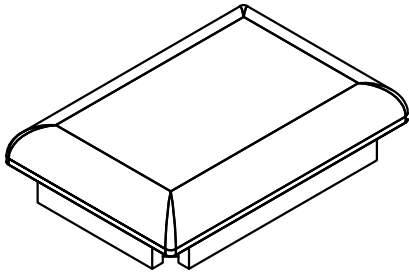
- ① PLACE ALL PARTS ON A CLEAN AND SMOOTH SURFACE SUCH AS A RUG OR CARPET TO AVOID THE PARTS FROM BEING SCRATCHED.
- ② BEFORE YOU BEGIN,KINDLY FOLLOW THE ASSEMBLY INSTRUCTIONS STEP BY STEP.
- ③ DO NOT TIGHTEN ALL SCREWS AND BOLTS UNTIL THE CHAIR IS FULLY SET-UP.



Part List

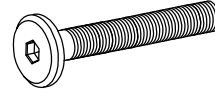
Hardware List

(A)



CUSHION SEAT (2 pcs)

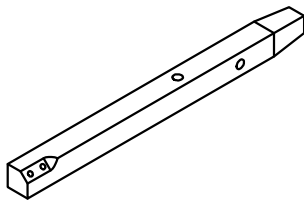
(1)



Ø 1/4" x 55 mm

BOLT (16 pcs)

(B)



LEG LEFT (4 pcs)

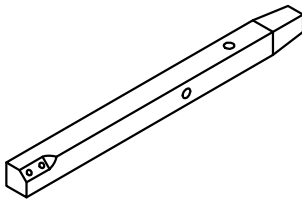
(2)



Ø5/16" x 13 mm

FLAT WASHER (16 pcs)

(C)



LEG RIGHT (4 pcs)

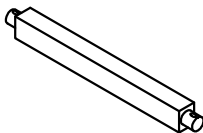
(3)



Ø5/16" x 19 mm

LOCK WASHER (16 pcs)

(D)



SHORT STRETCHER (4 pcs)

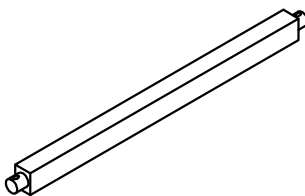
(4)



4 mm

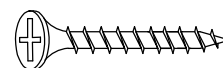
ALLEN KEY (1 pc)

(E)



LONG STRETCHER (4 pcs)

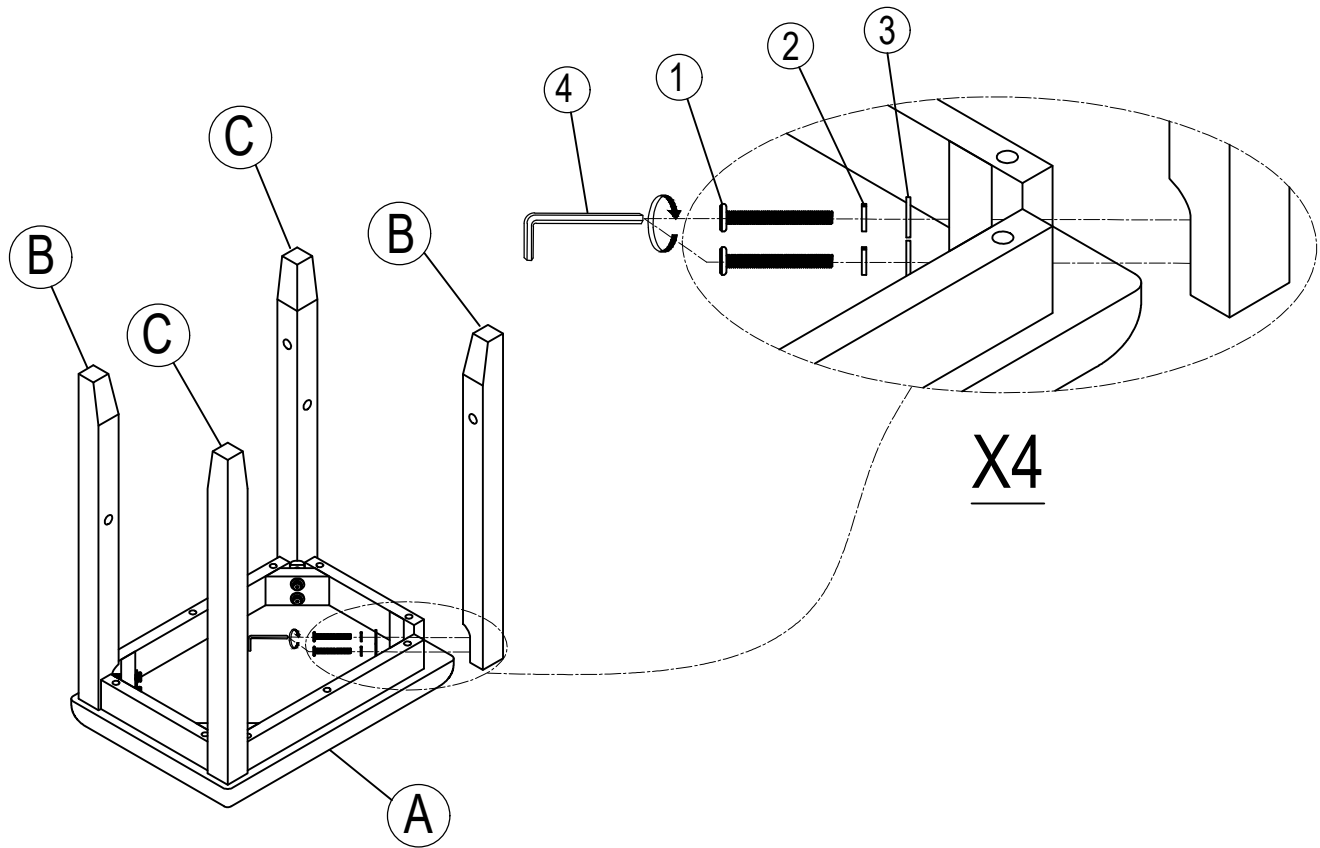
(5)



Ø 4 x 38 mm

WOOD SCREWS (16 pcs)

STEP 1:



STEP 2:

