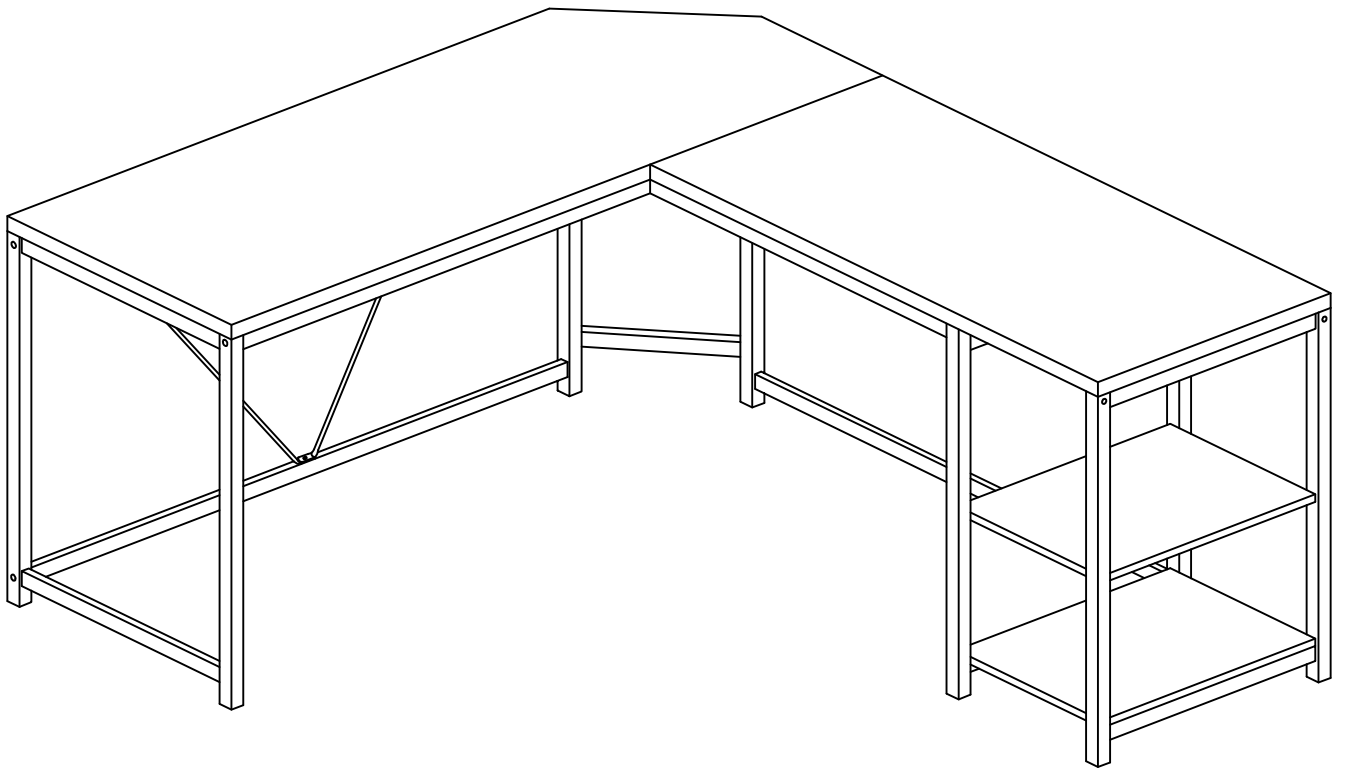
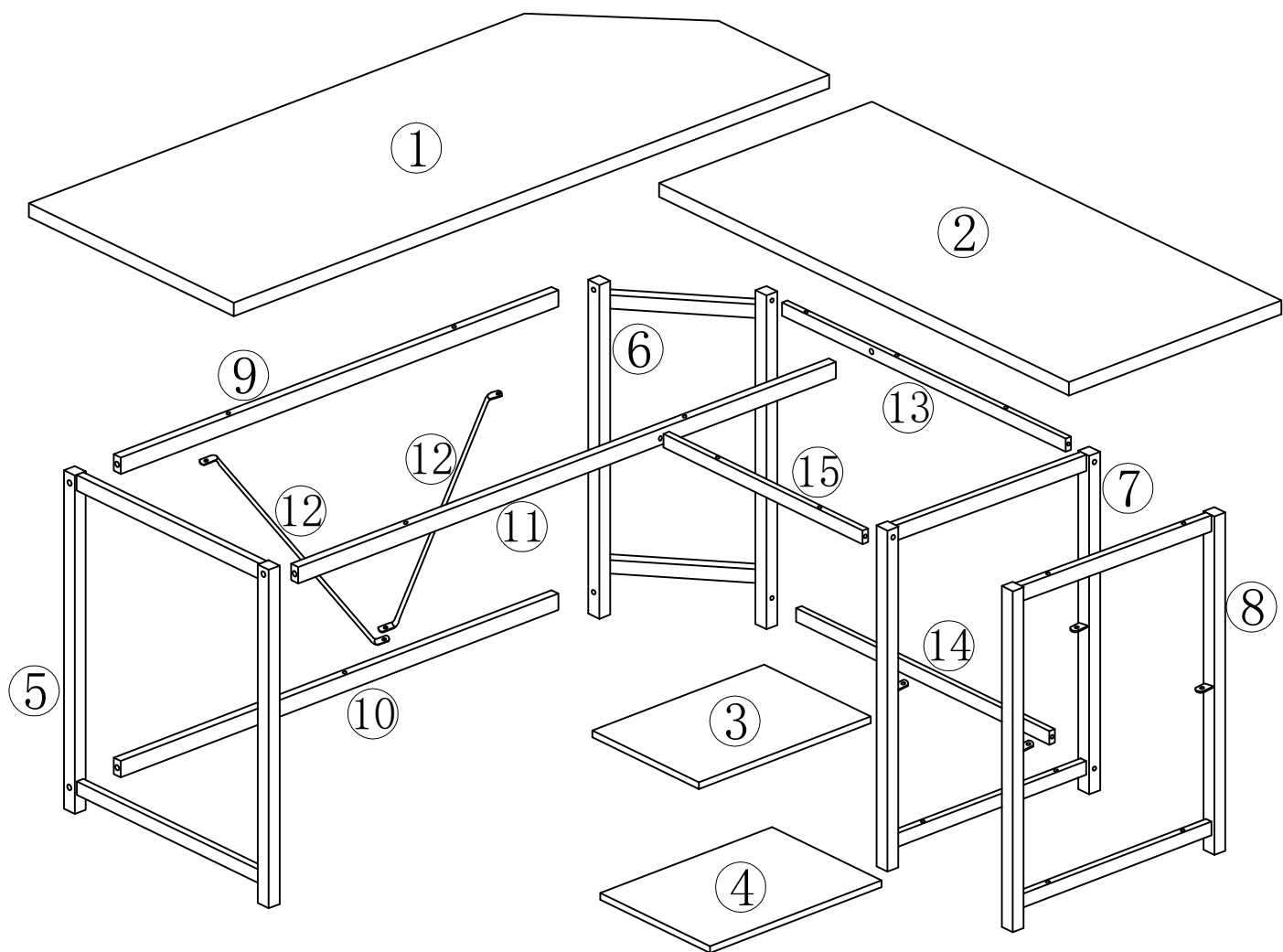
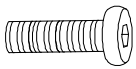
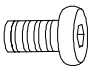
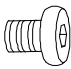



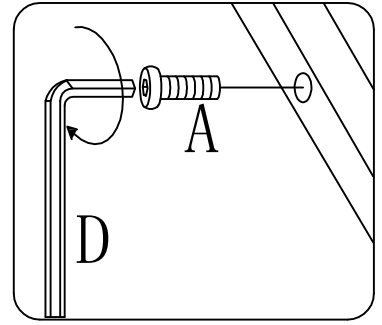
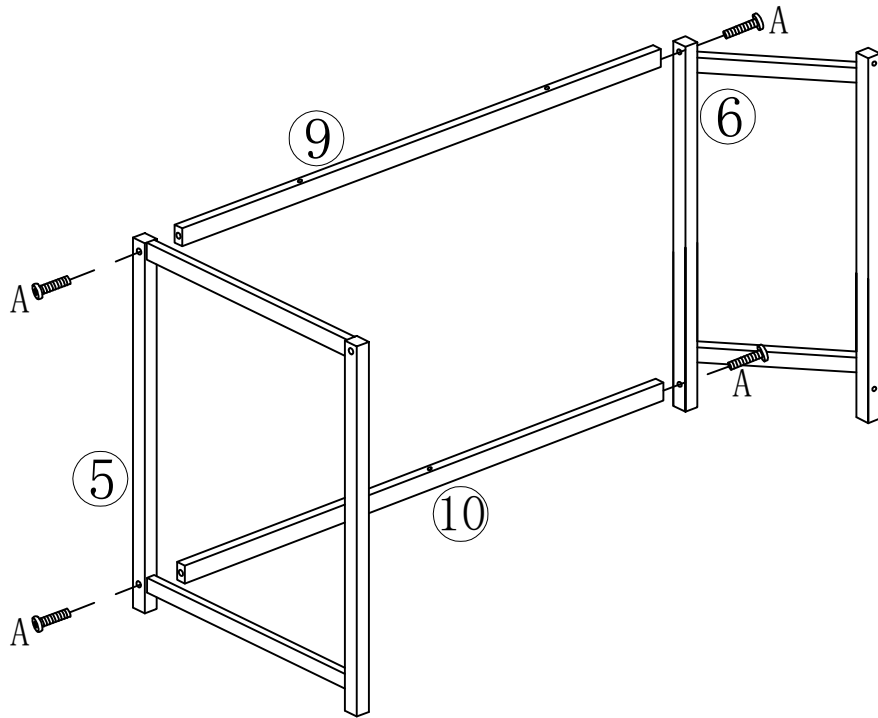
WF192851DAA

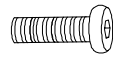





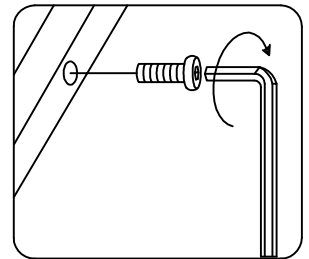
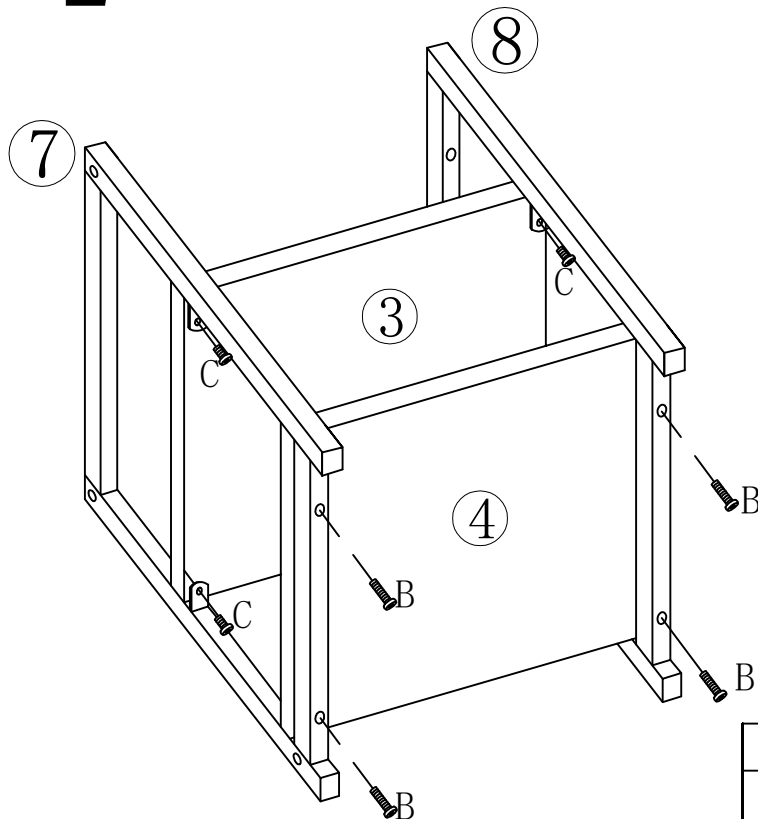
A	×23	B	×4	C	×5	D	×1
							
M6*45mm		M6*40mm		M6*12mm		M4*55mm	

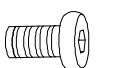
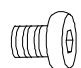
STEP 1



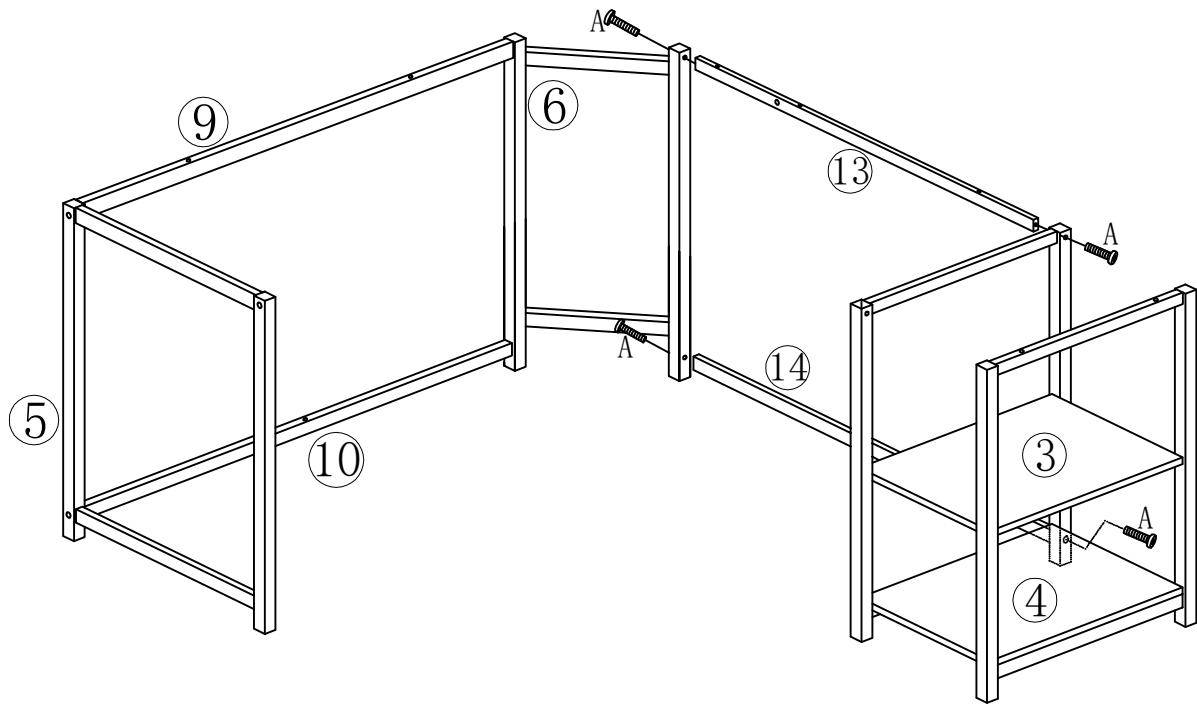
A	×4	D	×1
			
M6*45mm		M4*55mm	

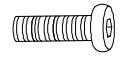
STEP 2



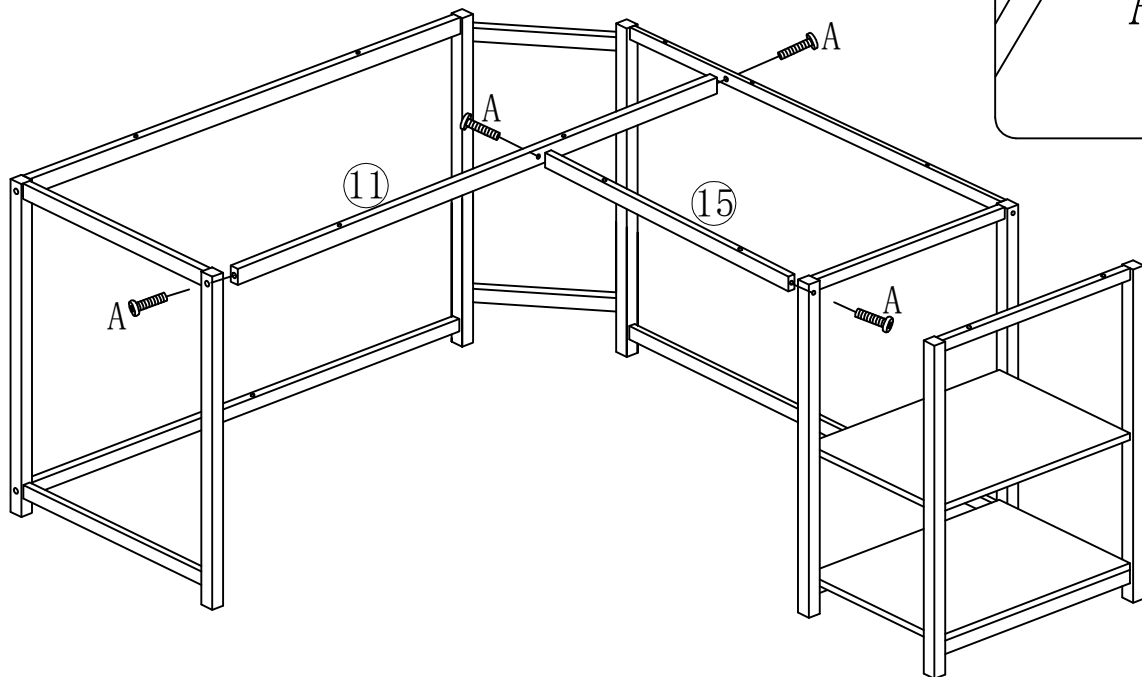
B	×4	C	×4
			
M6*40mm		M6*12mm	

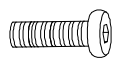
STEP 3



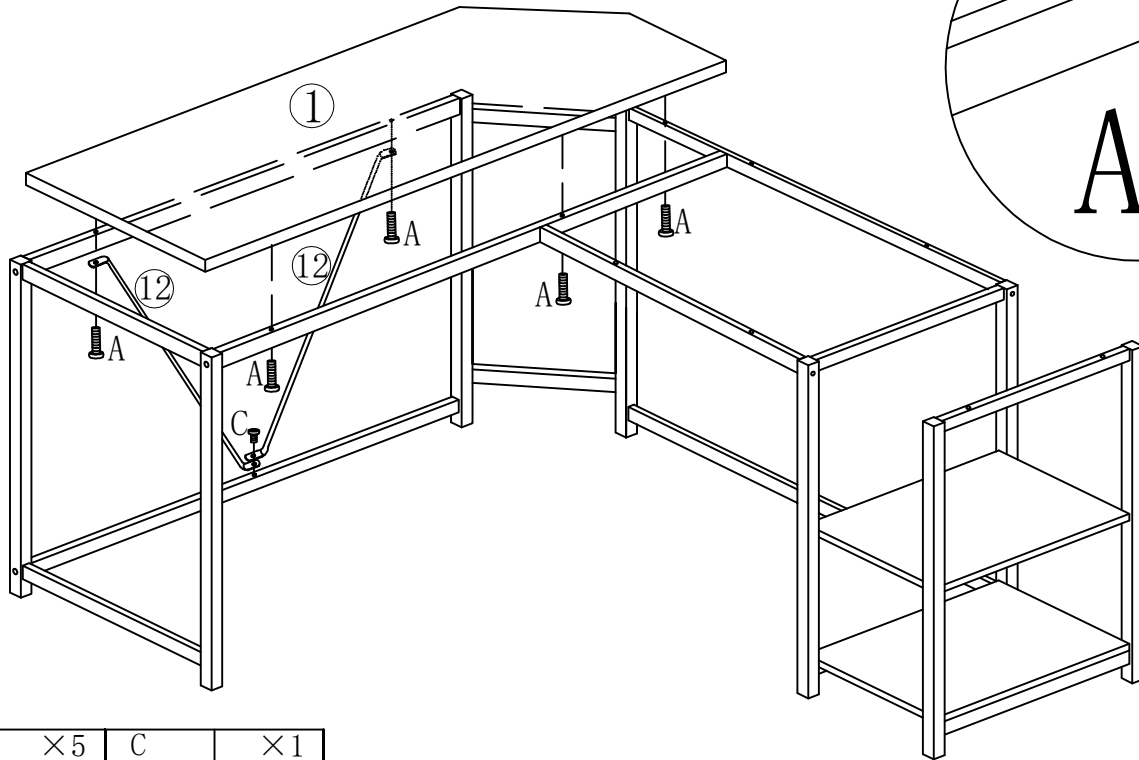
A	×4
	
M6*45mm	

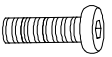
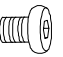
STEP 4



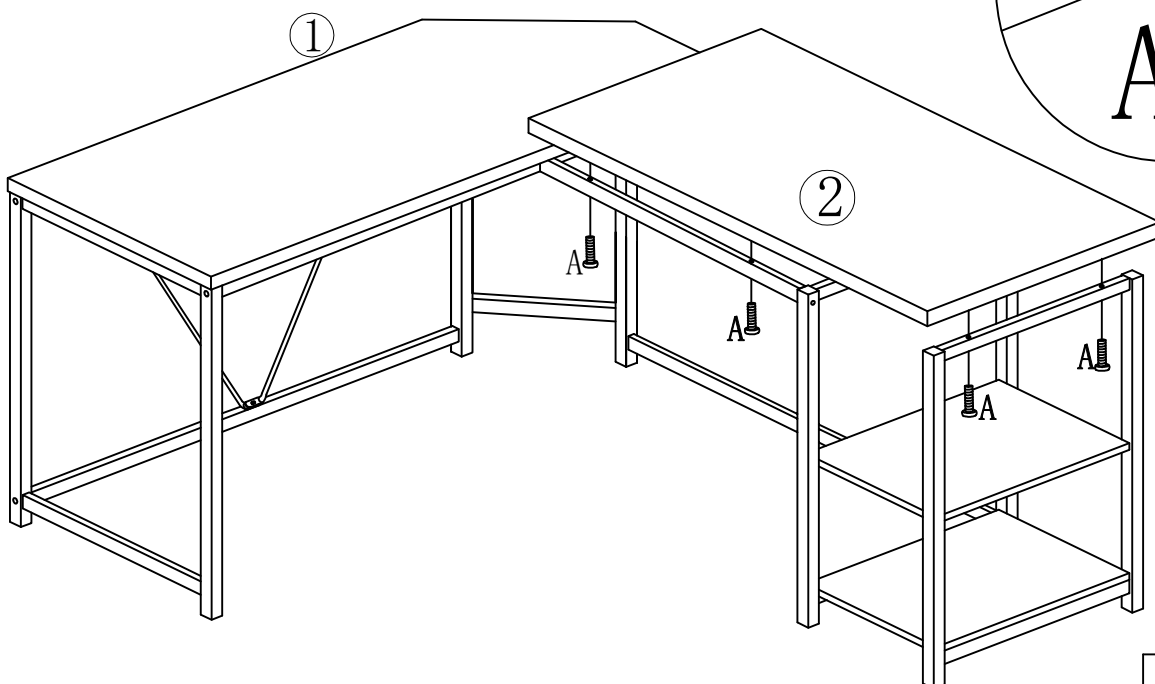
A	×4
	
M6*45mm	

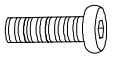
STEP 5



A	×5	C	×1
			
M6*45mm		M6*12mm	

STEP 6



A	×6
	
M6*45mm	