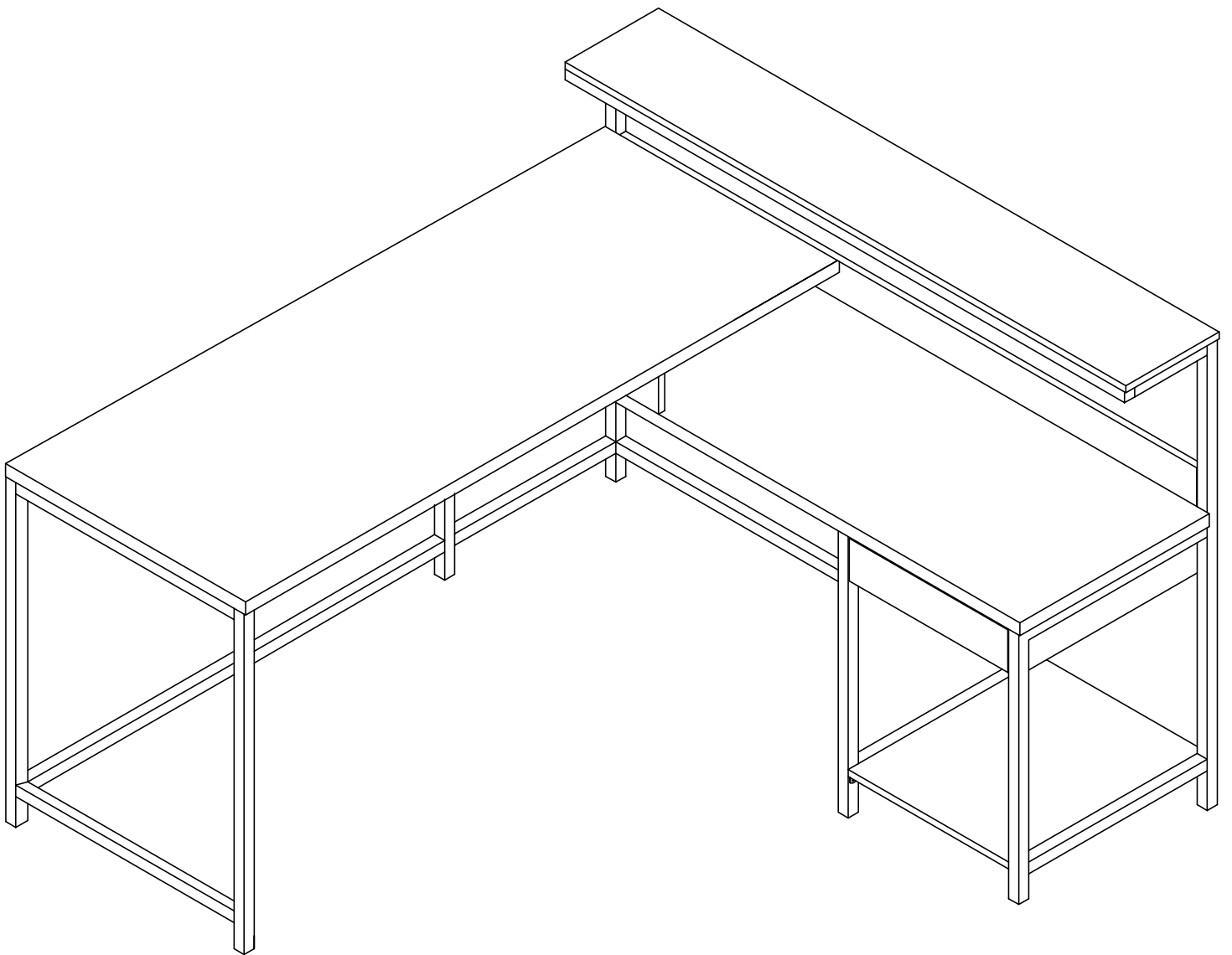
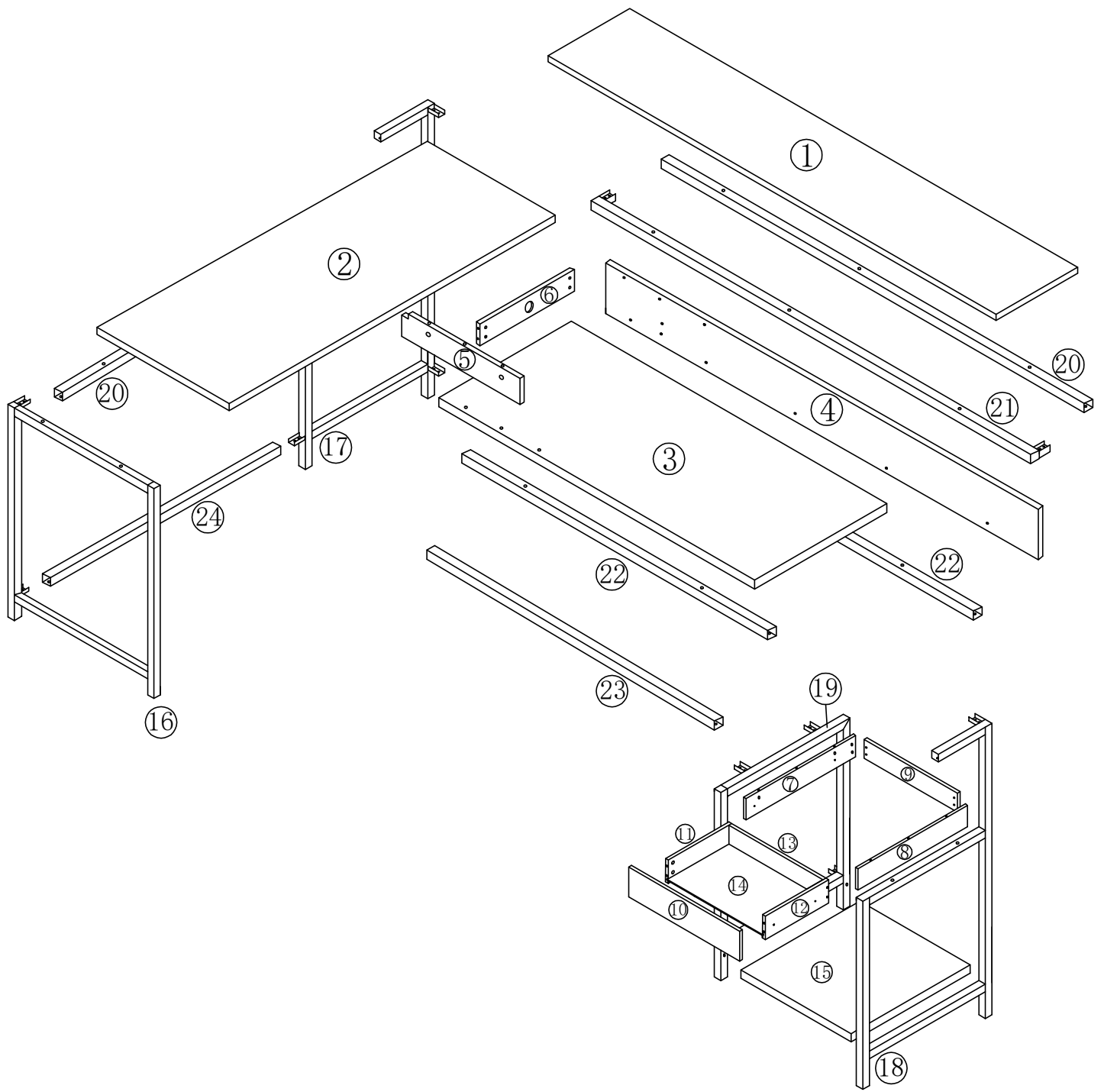
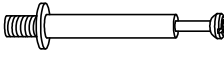

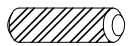

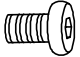
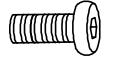
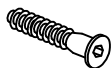
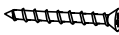






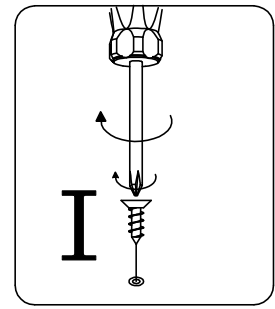
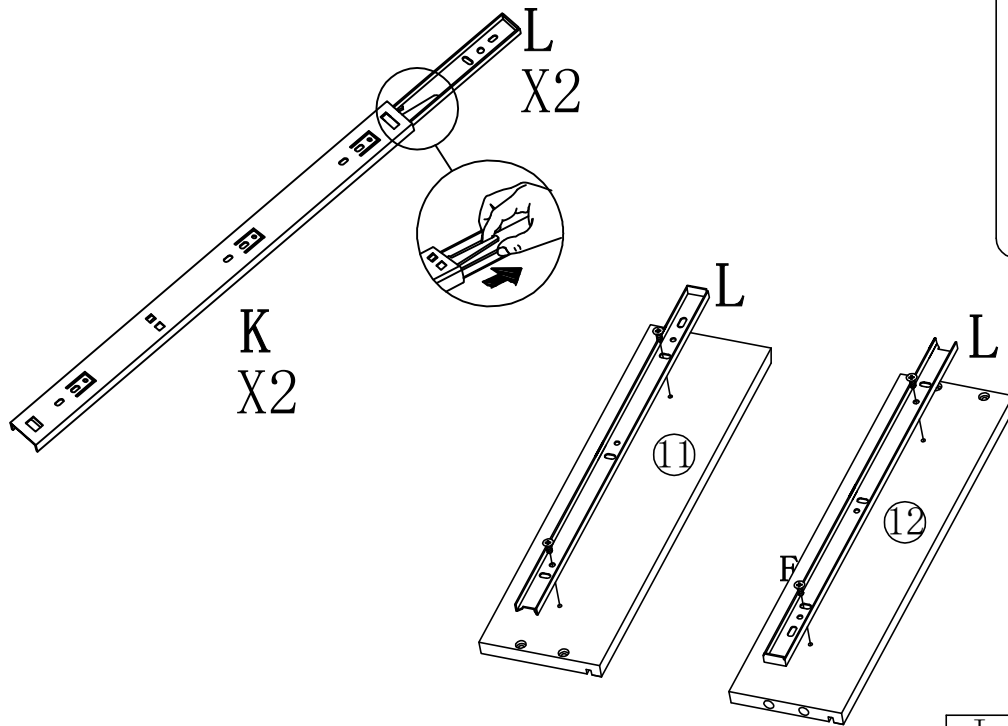
# WF197952AAT







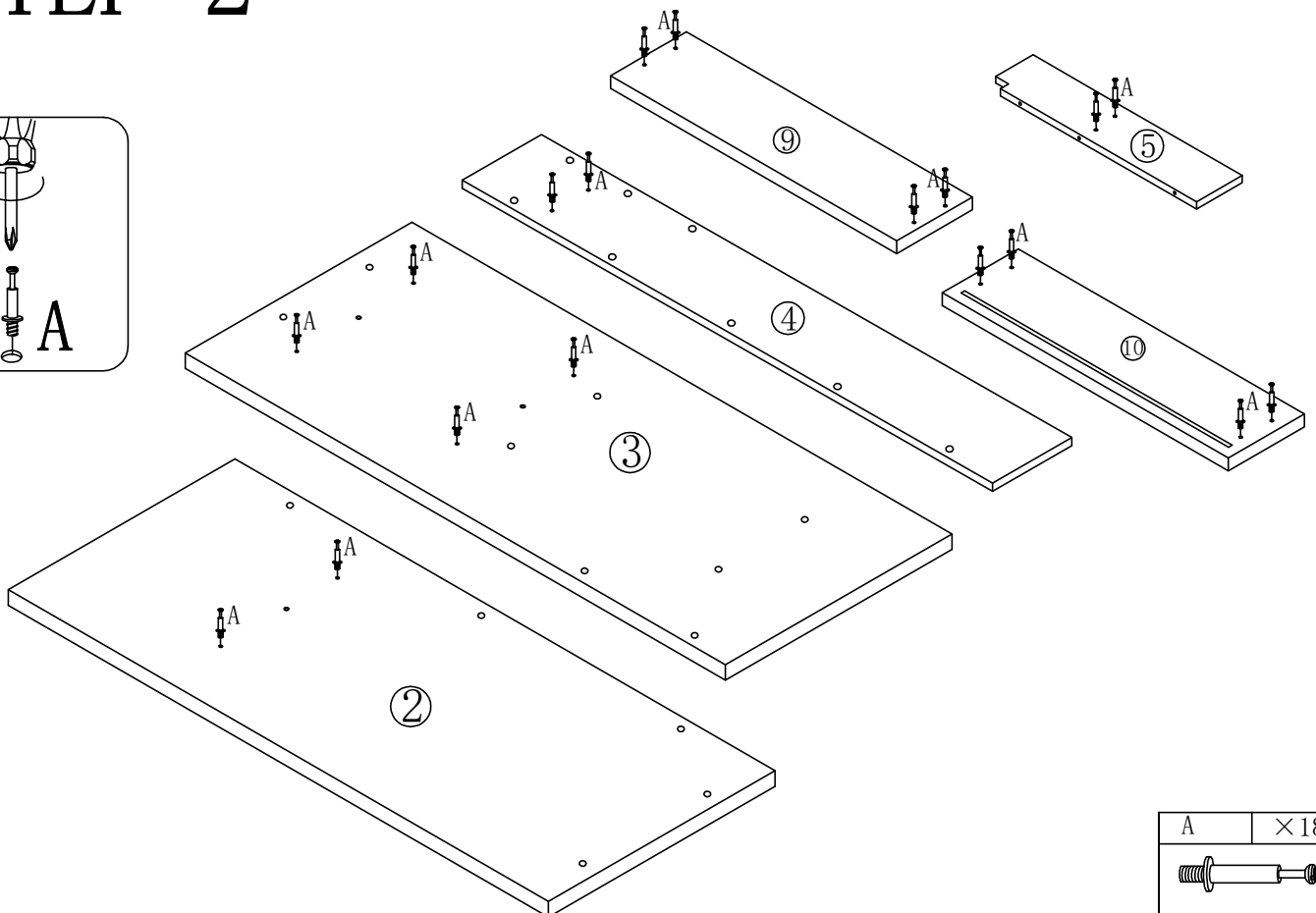
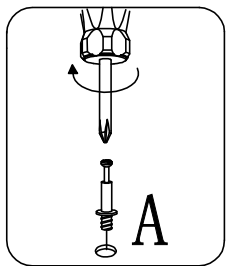
A	×18	B	×18	C	×7	D	×1	E	×36	F	×17
											
∅6*35mm		∅15*12mm		∅8*30mm		M4*55mm		M6*12mm		M6*40mm	
G	×7	H	×4	I	×8	J	×4	K	×2	L	×2
											
∅7*47mm		∅4*35mm		∅3.5*14mm		30*30*18mm		L350mm		L350mm	

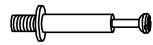
# STEP 1



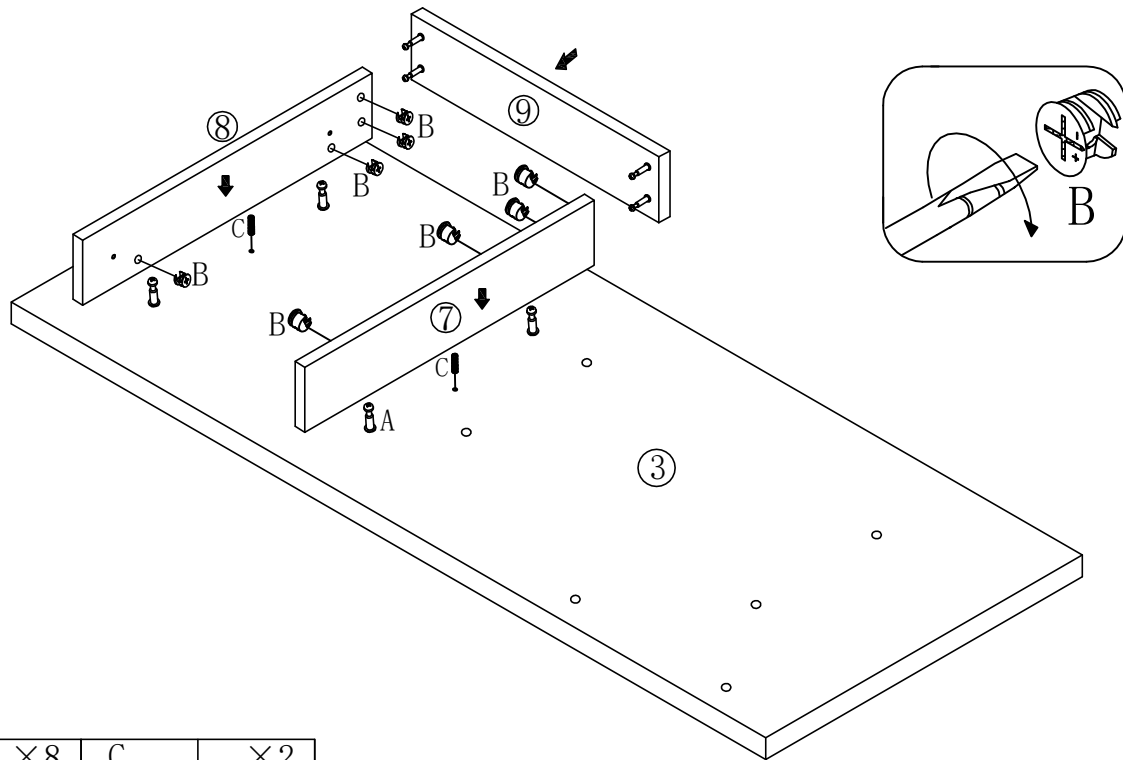
I	×4	L	×2
			
ø3.5*14mm		L350mm	


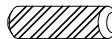
# STEP 2



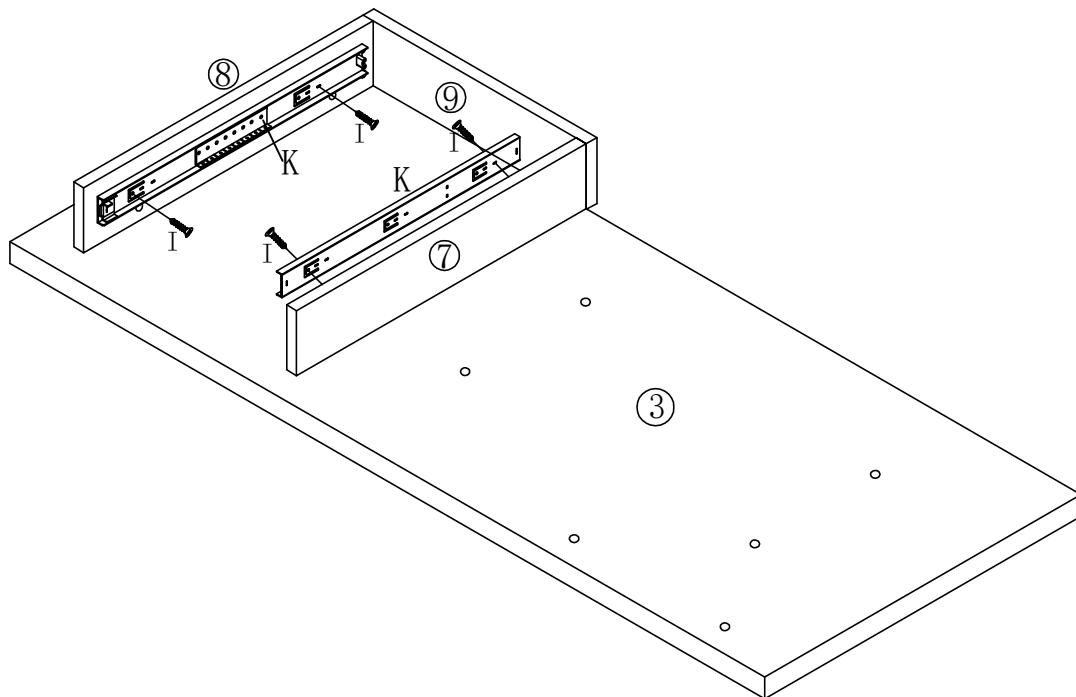
A	×18
	
ø6*35mm	



# STEP 3



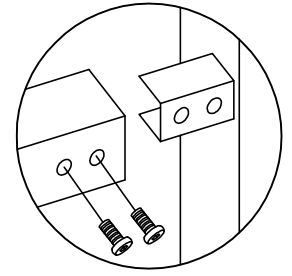
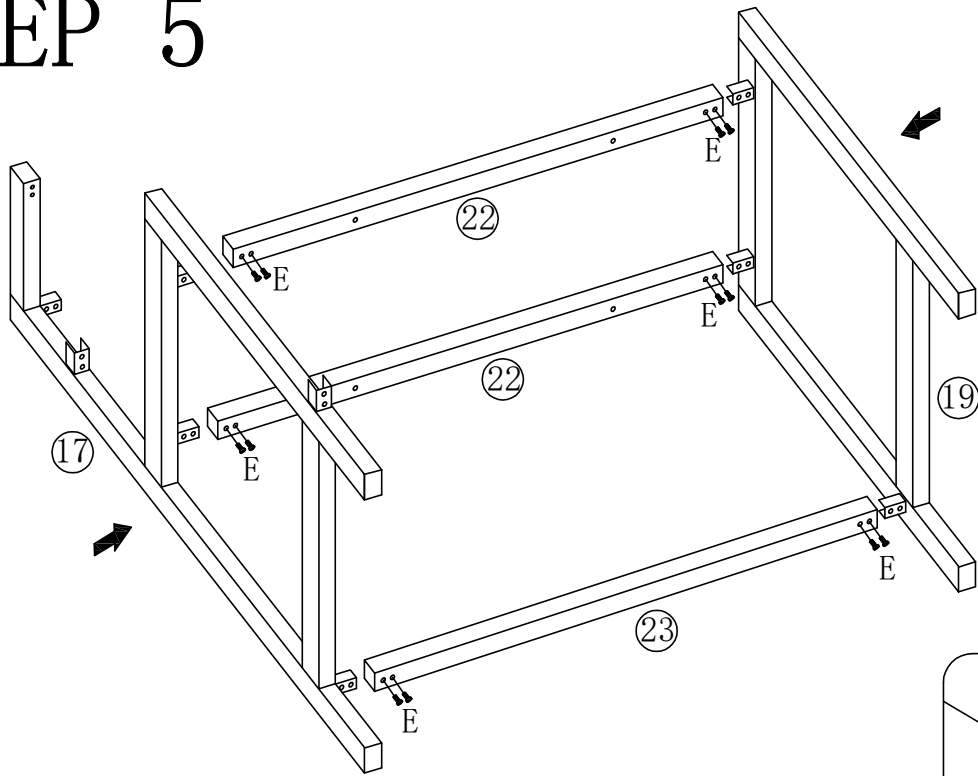
B	×8	C	×2
			
∅15*12mm		∅8*30mm	


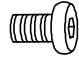
# STEP 4

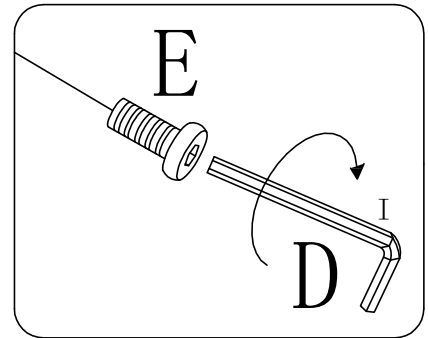


I	×4	K	×2
			
∅3.5*14mm		L350mm	

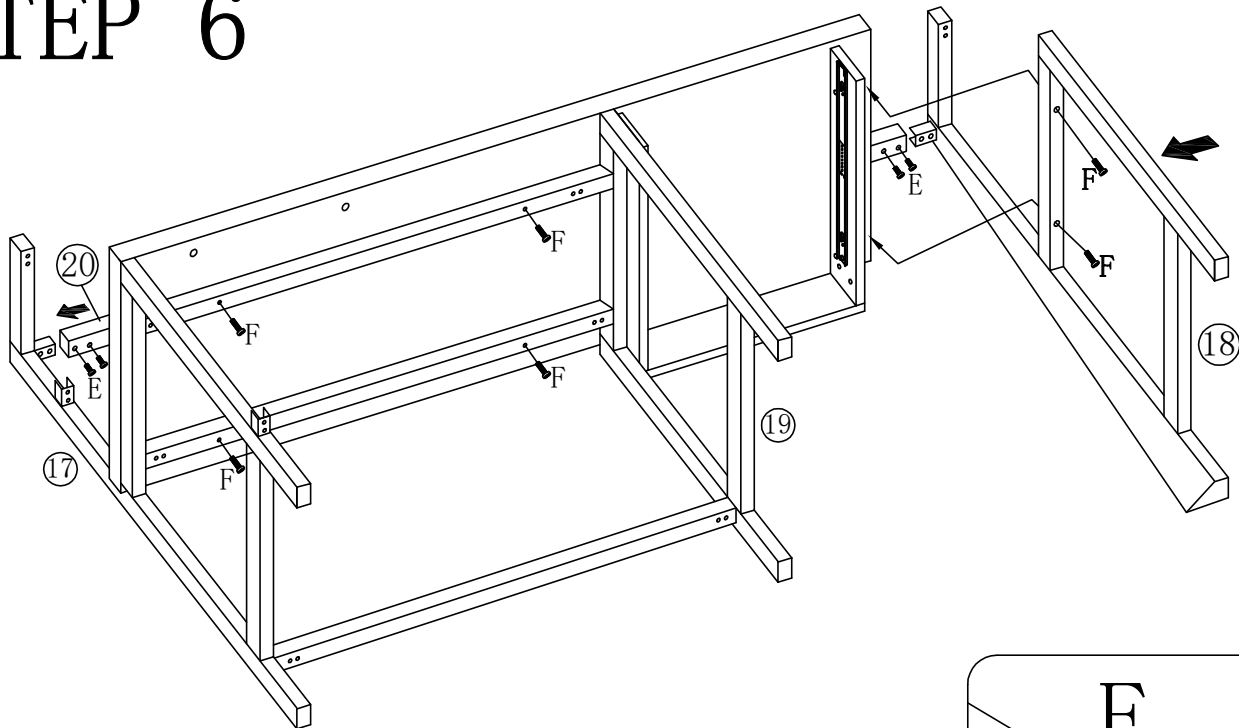
# STEP 5

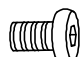



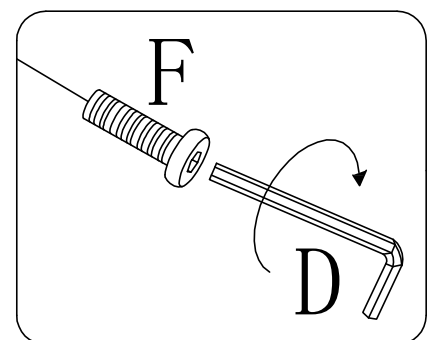
D	×1	E	×12
			
M4*55mm		M6*12mm	



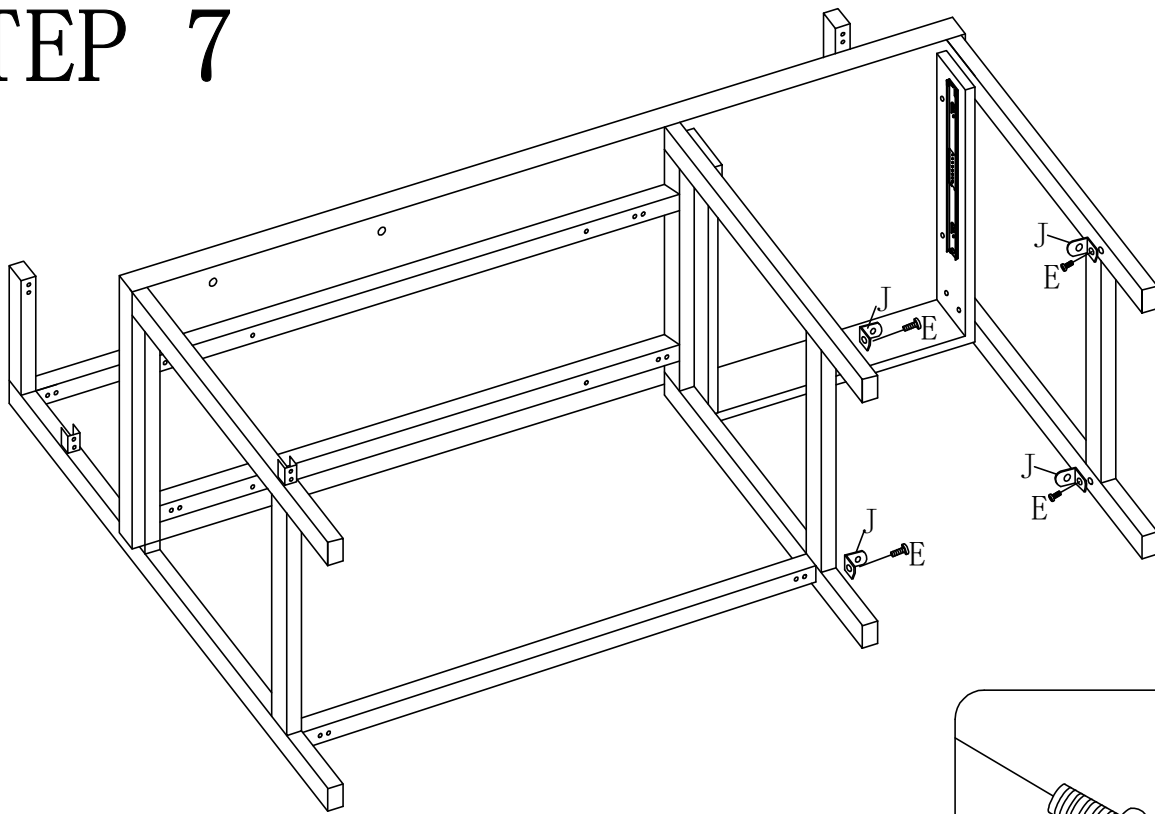
# STEP 6

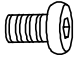



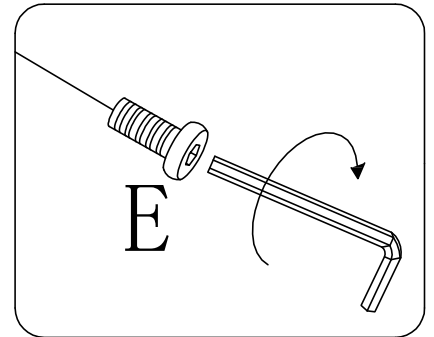
E	×4	F	×6
			
M6*12mm		M6*40mm	



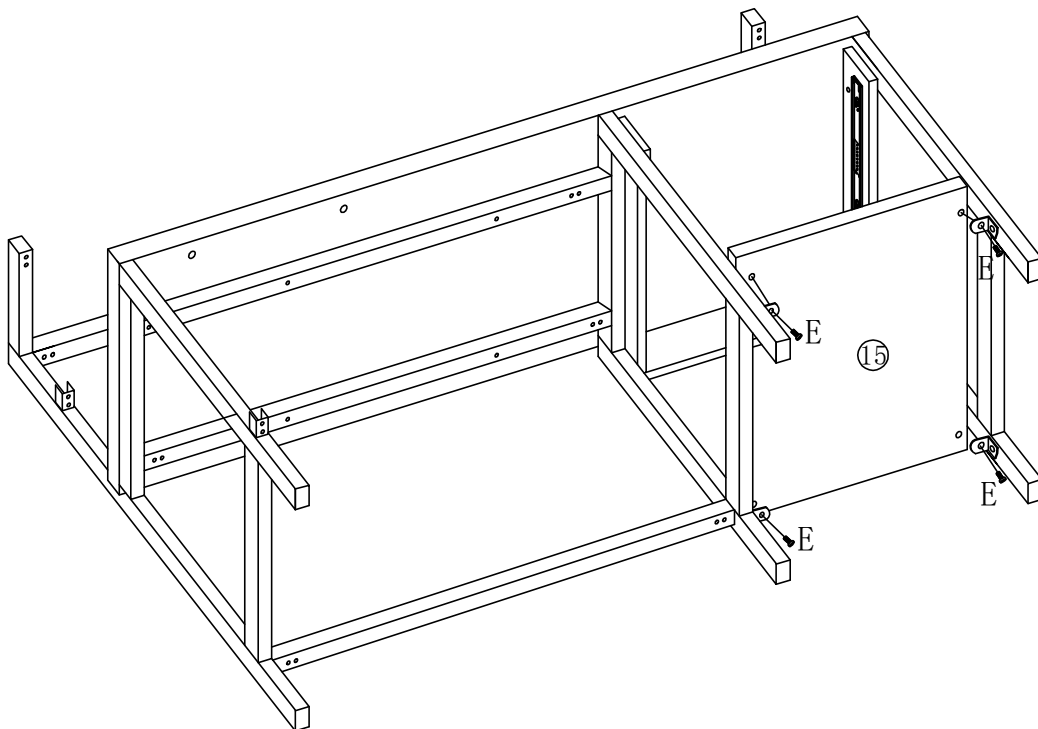
# STEP 7

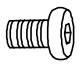


E	×4	J	×4
			
M6*12mm		30*30*18mm	

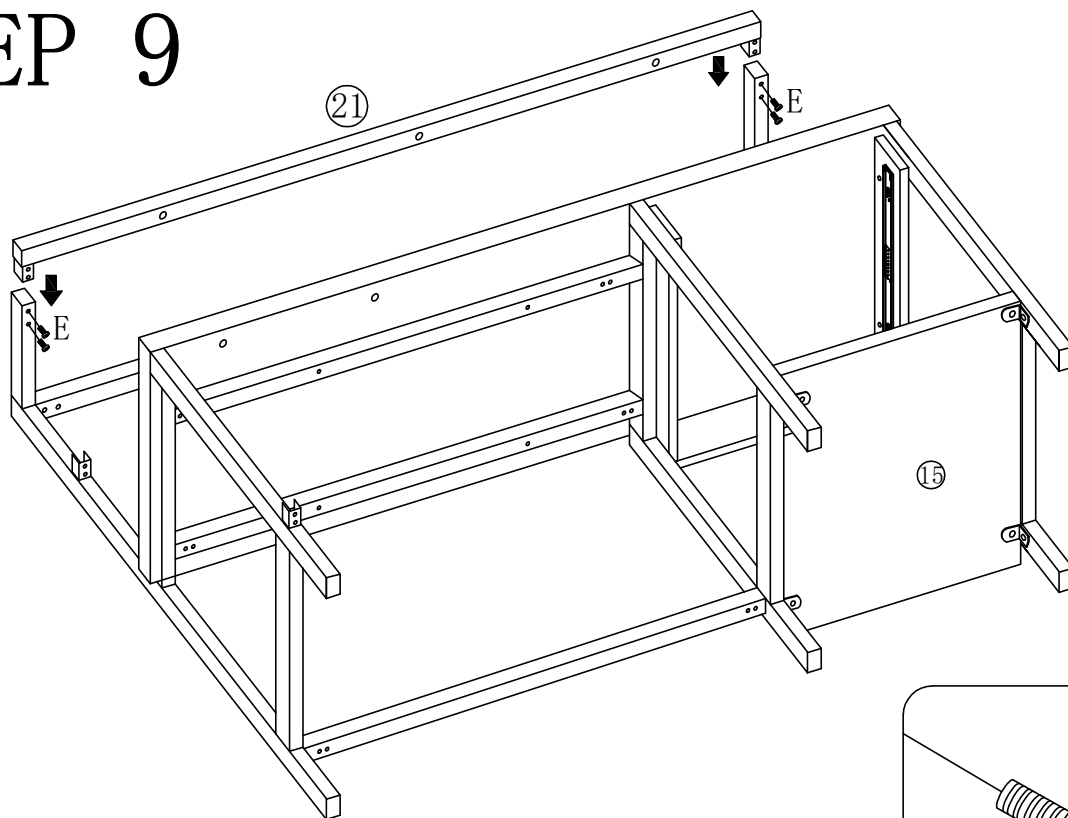


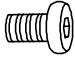
# STEP 8

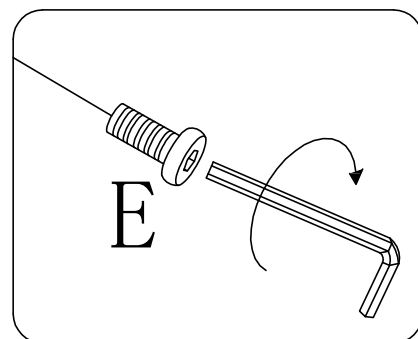


E	×4
	
M6*12mm	

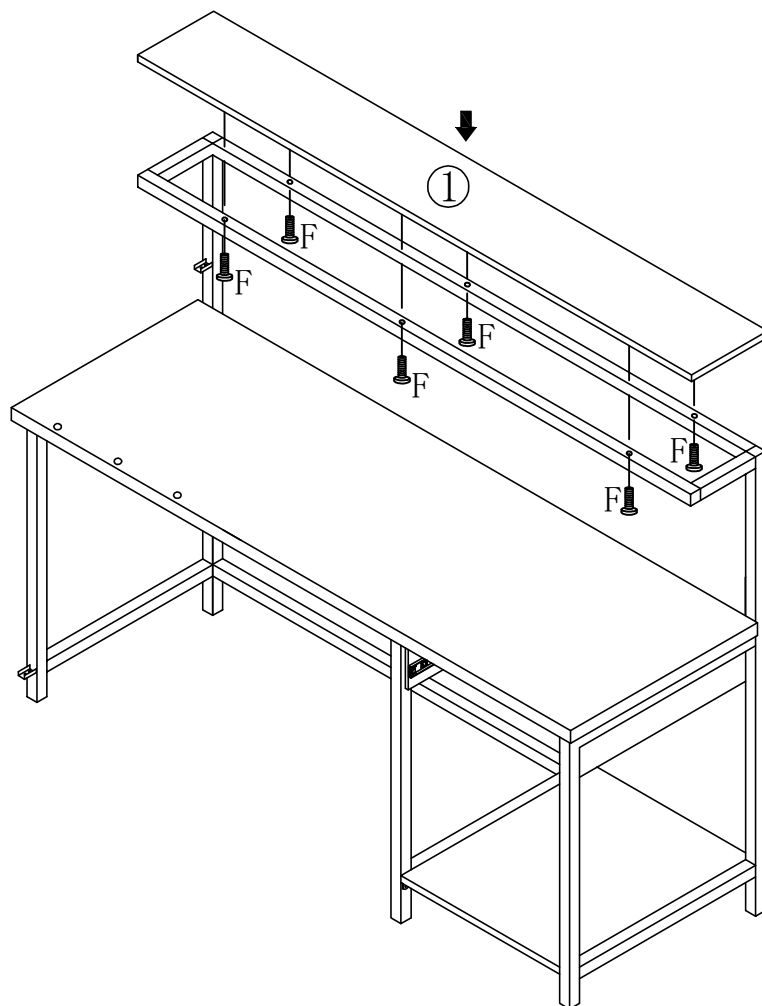
# STEP 9

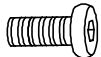


E	×4
	
M6*12mm	

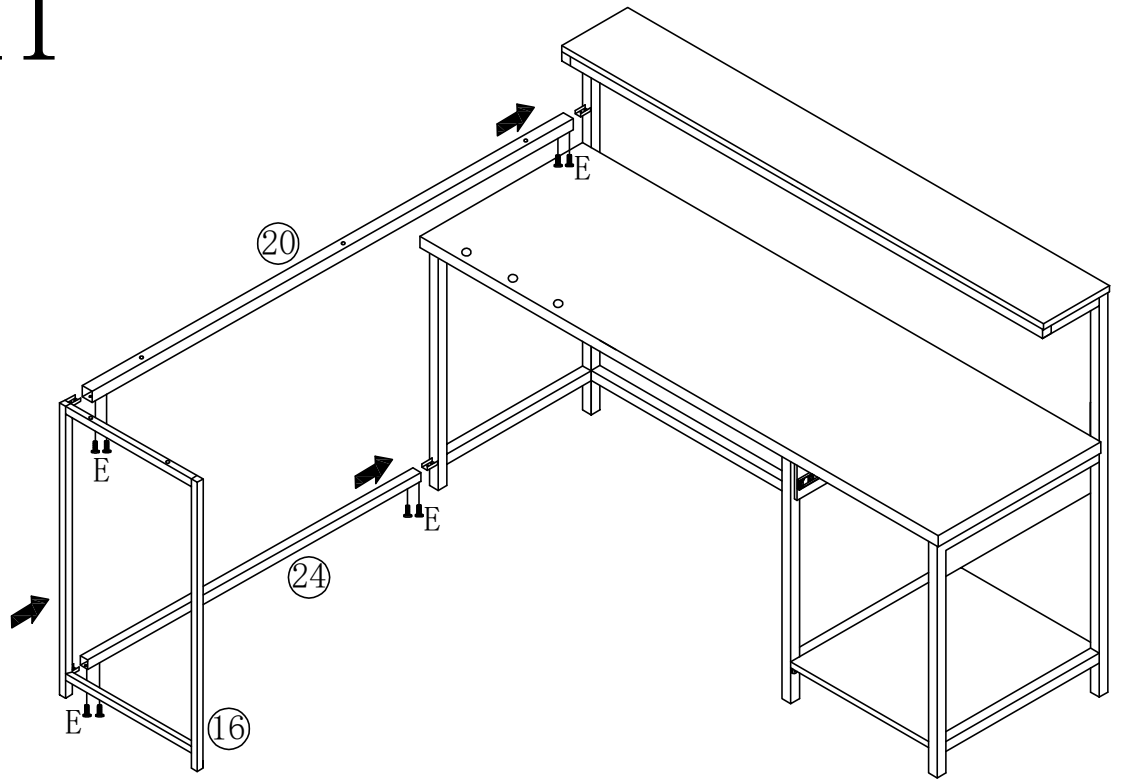
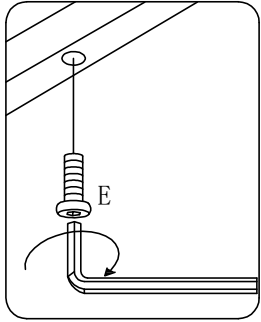


# STEP 10



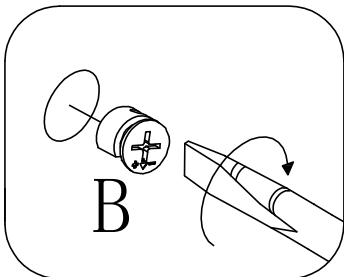
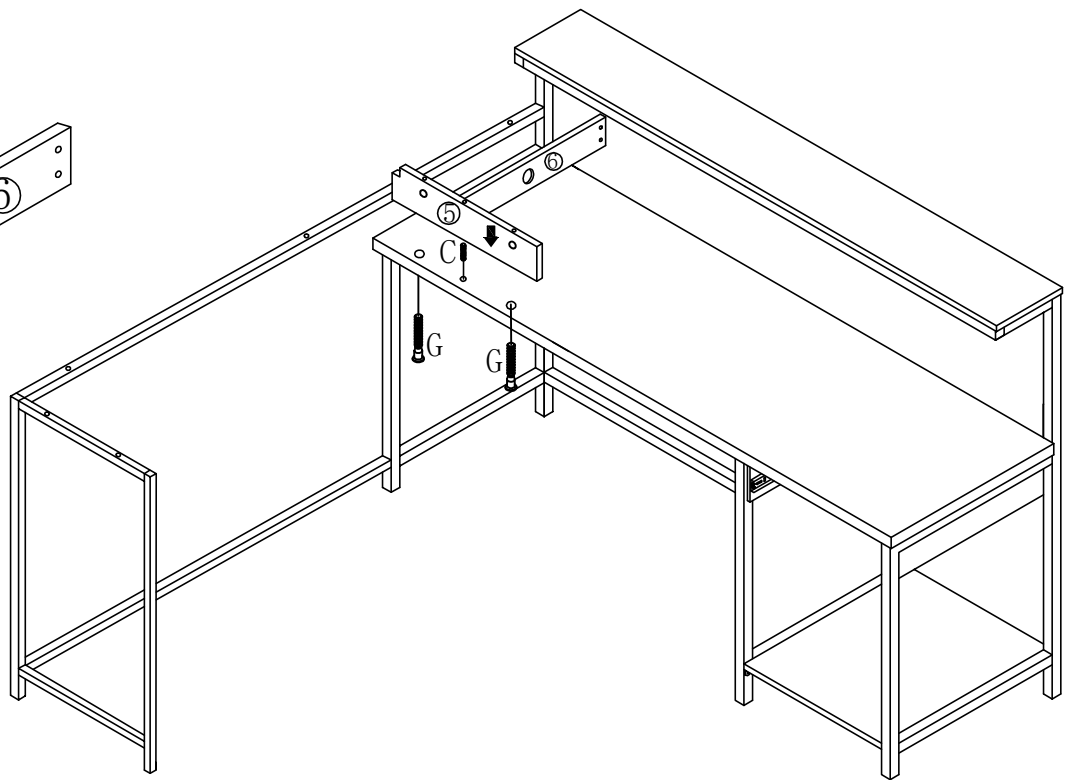
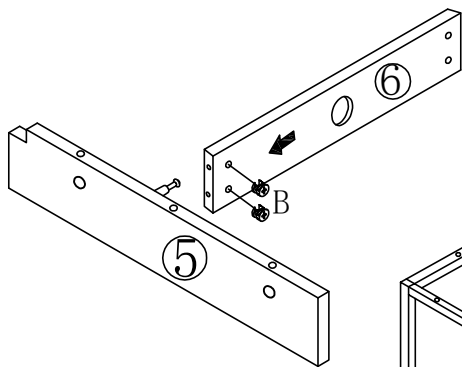
F	×6
	
M6*40mm	

# STEP 11



E	×8
M6*12mm	

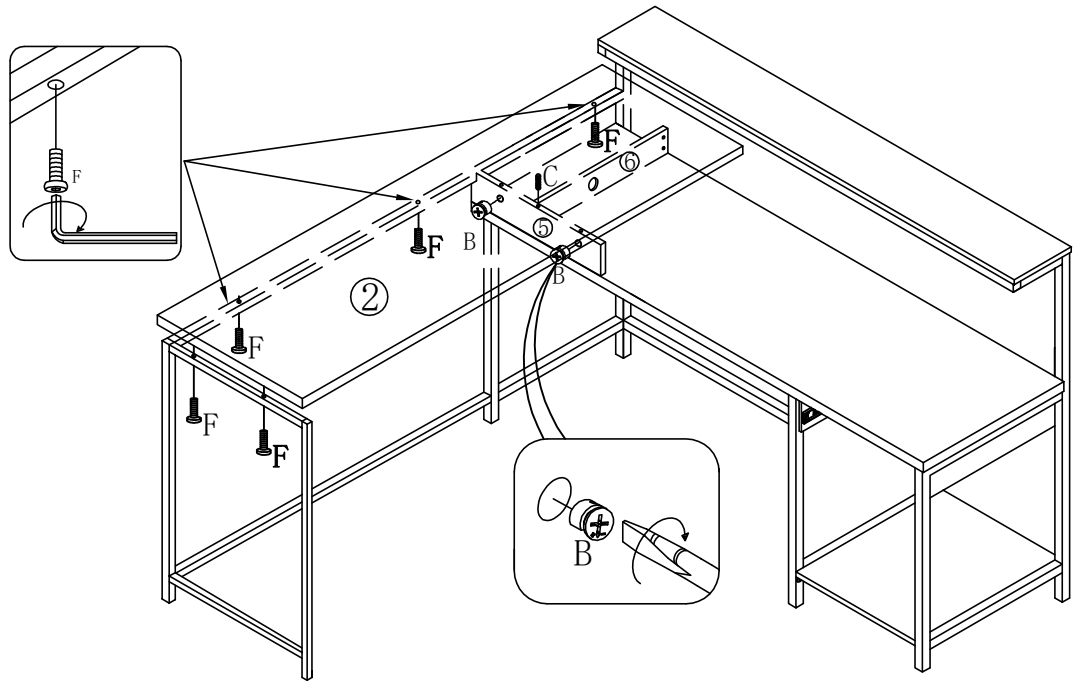
# STEP 12


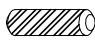
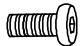


B	×2	C	×1	G	×2
ø 15*12mm		ø 8*30mm		ø 7*47mm	

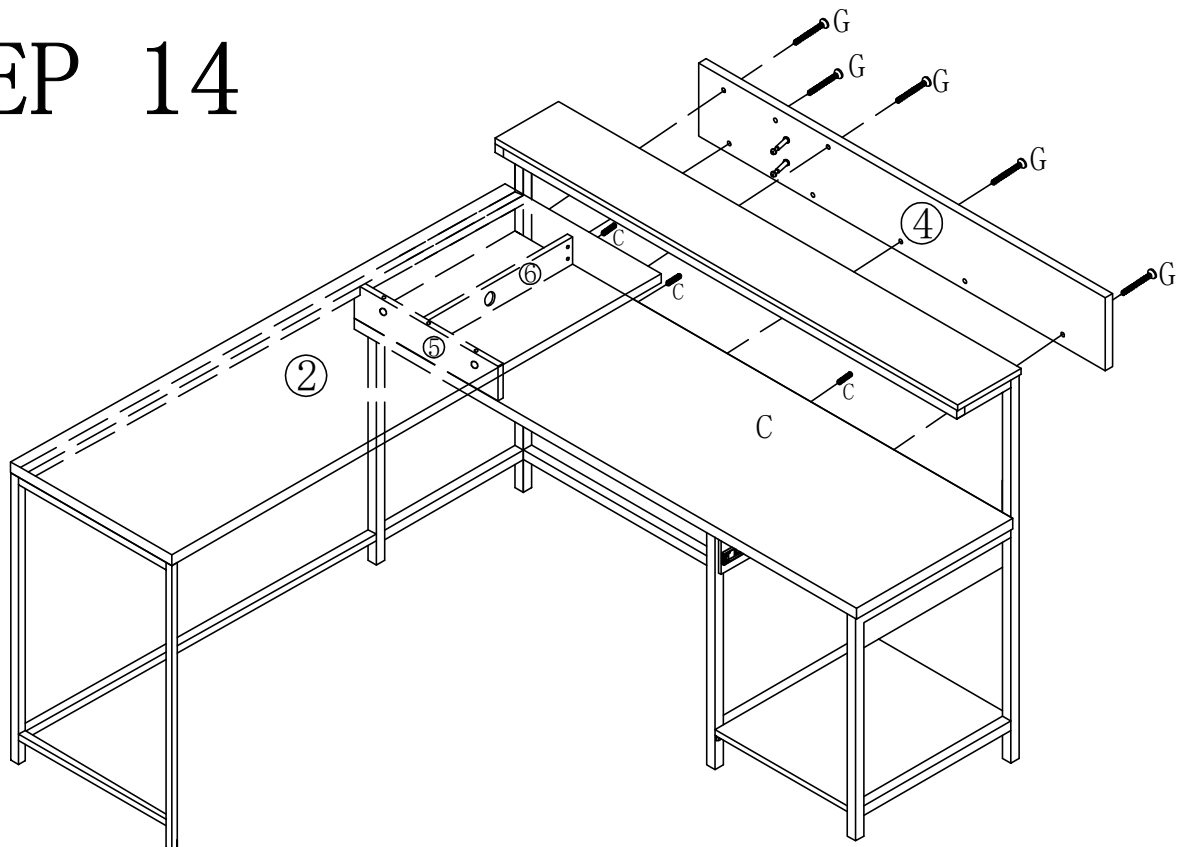


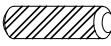

# STEP 13



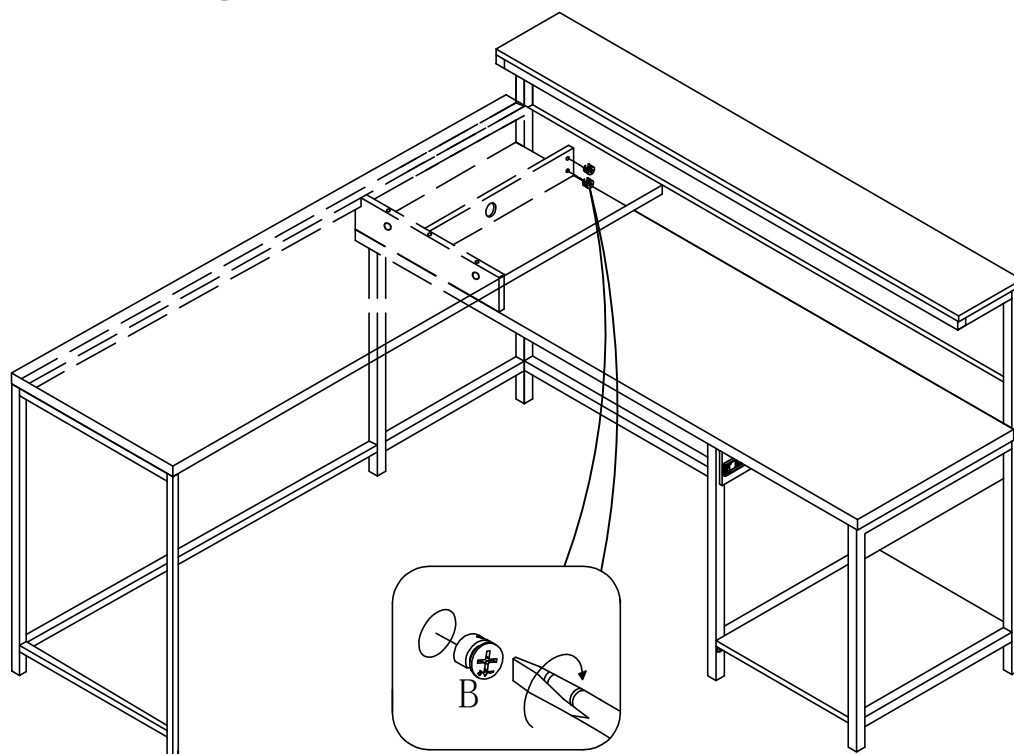
B	×2	C	×1	F	×5
					
∅15*12mm		∅8*30mm		M6*40mm	

# STEP 14



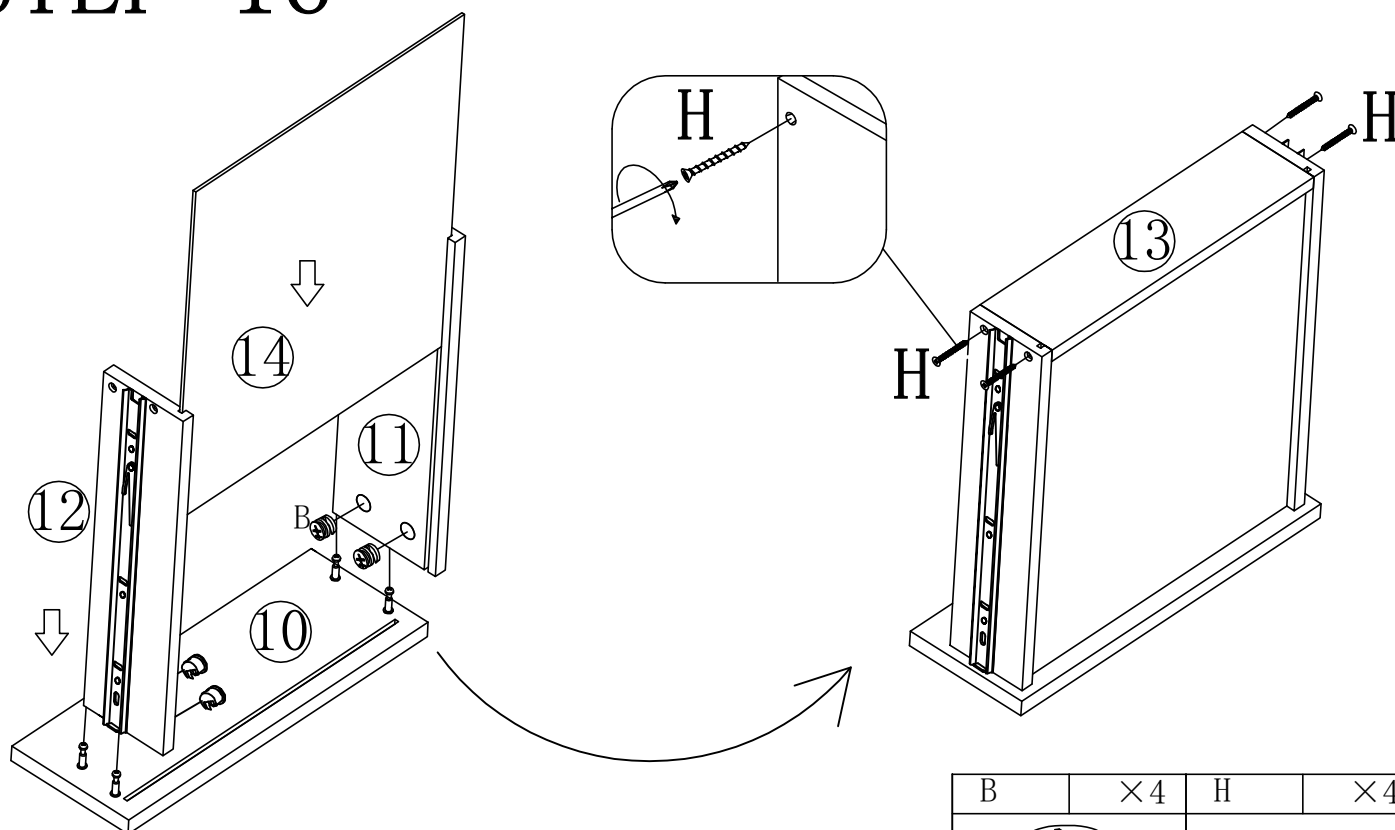
C	×3	G	×5
			
∅8*30mm		∅7*47mm	

# STEP 15



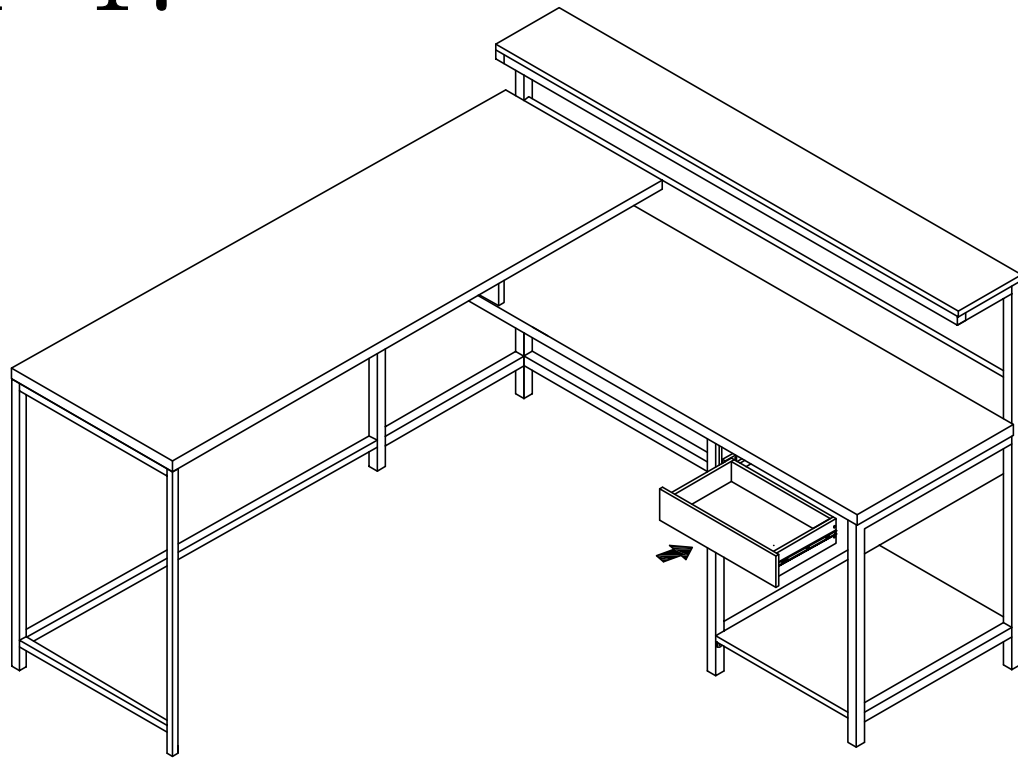
B	×2
∅15*12mm	

# STEP 16



B	×4	H	×4
∅15*12mm		∅4*35mm	

# STEP 17



# STEP 18

