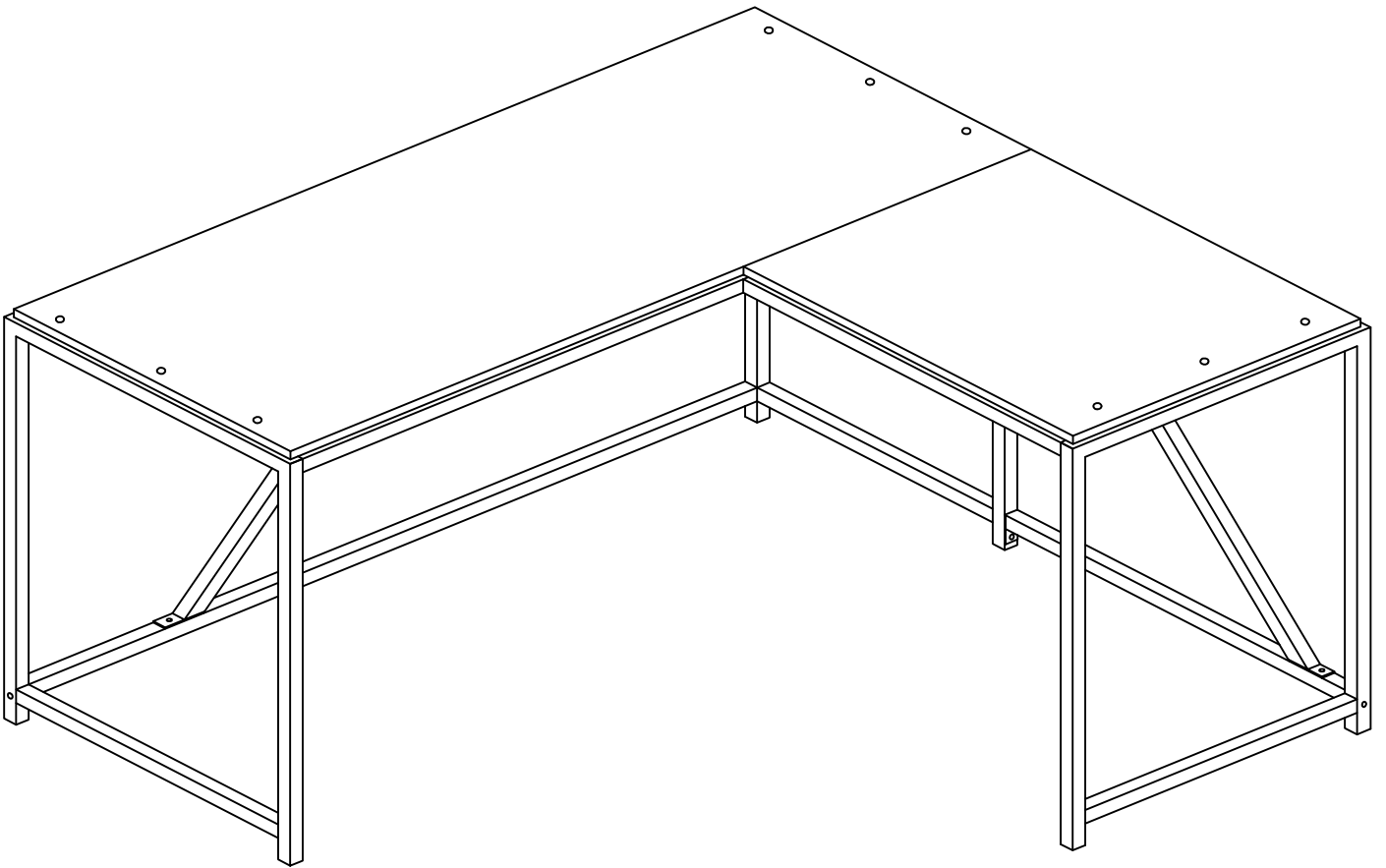
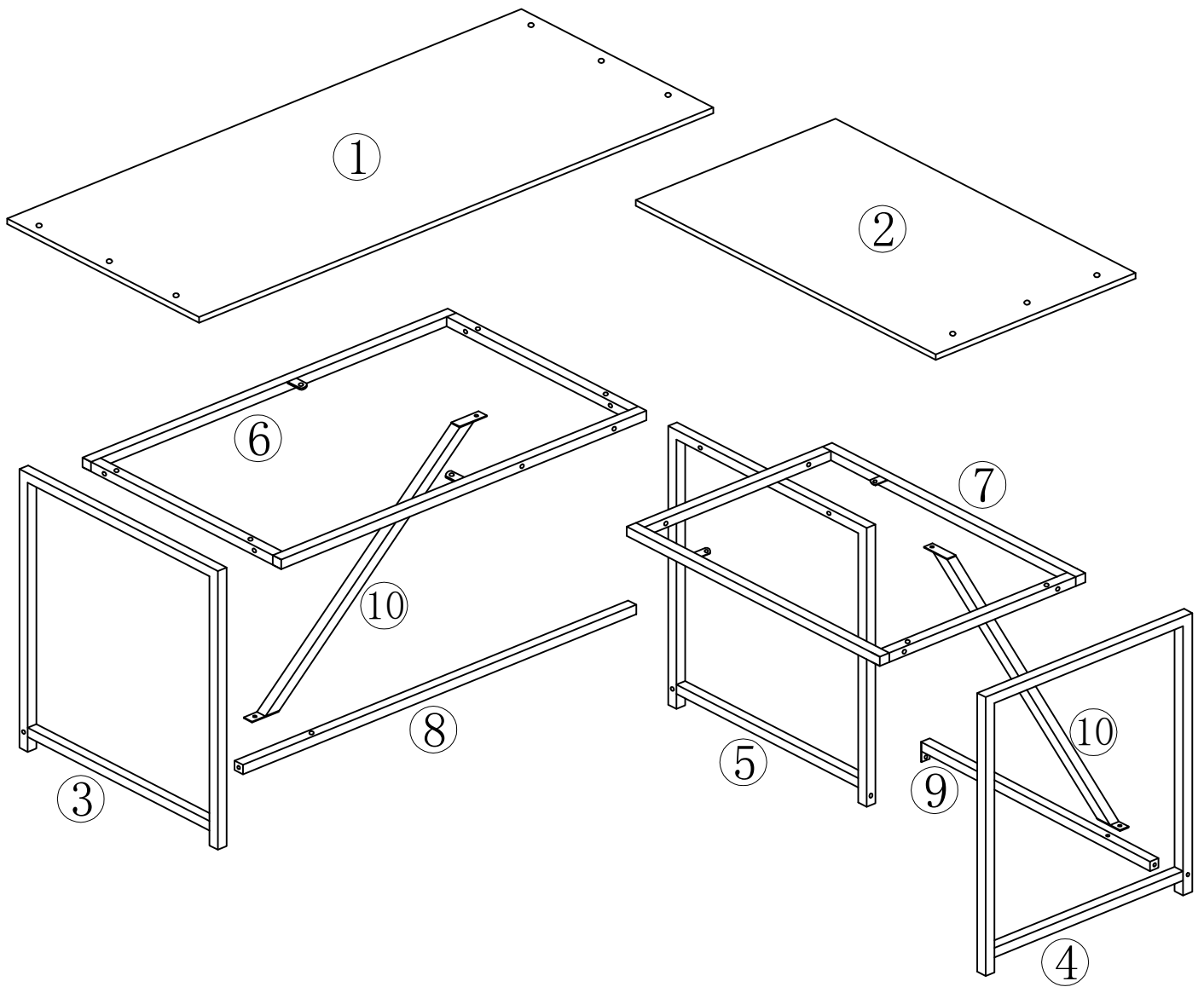
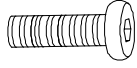
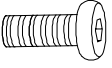
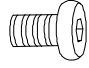



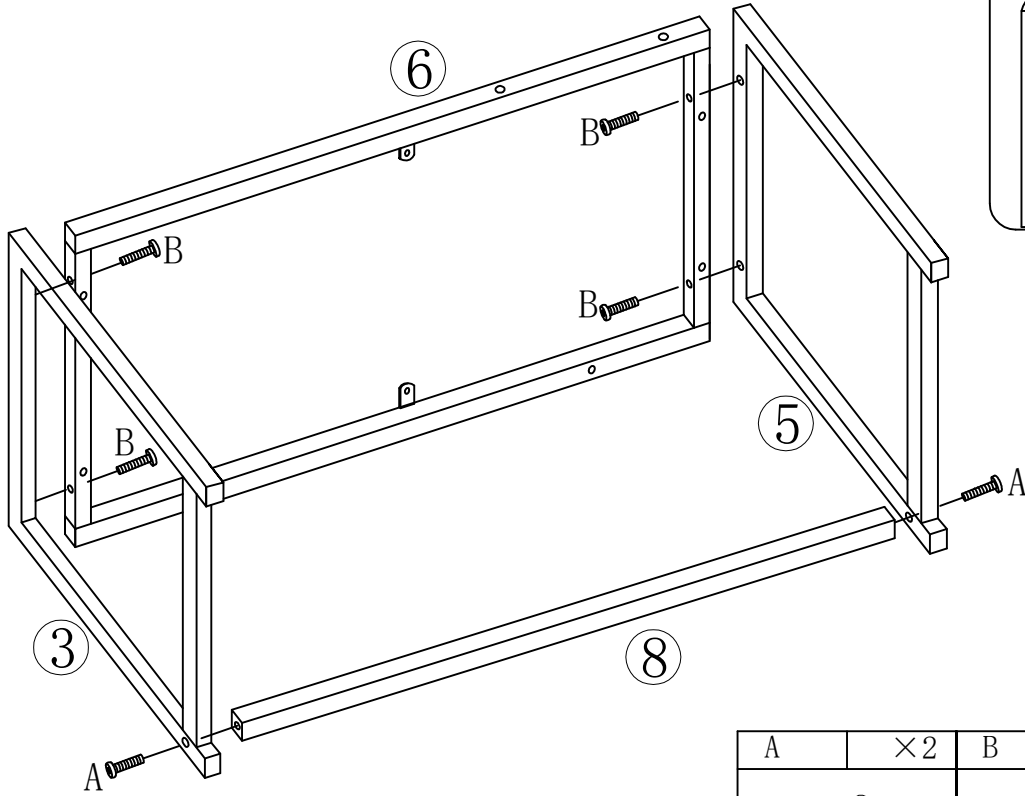
WF192849DAA

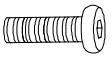
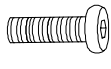





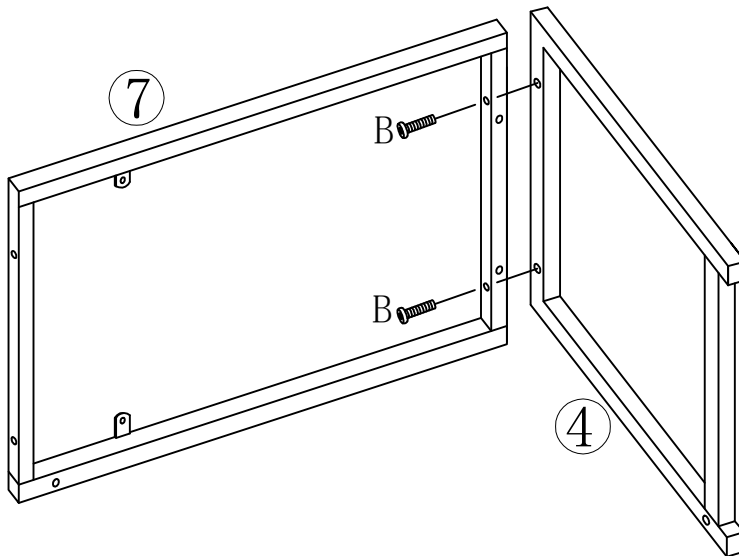
A	×3	B	×14	C	×9	D	×1
							
M6*45mm		M6*35mm		M6*12mm		M4*55mm	

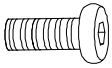
STEP 1



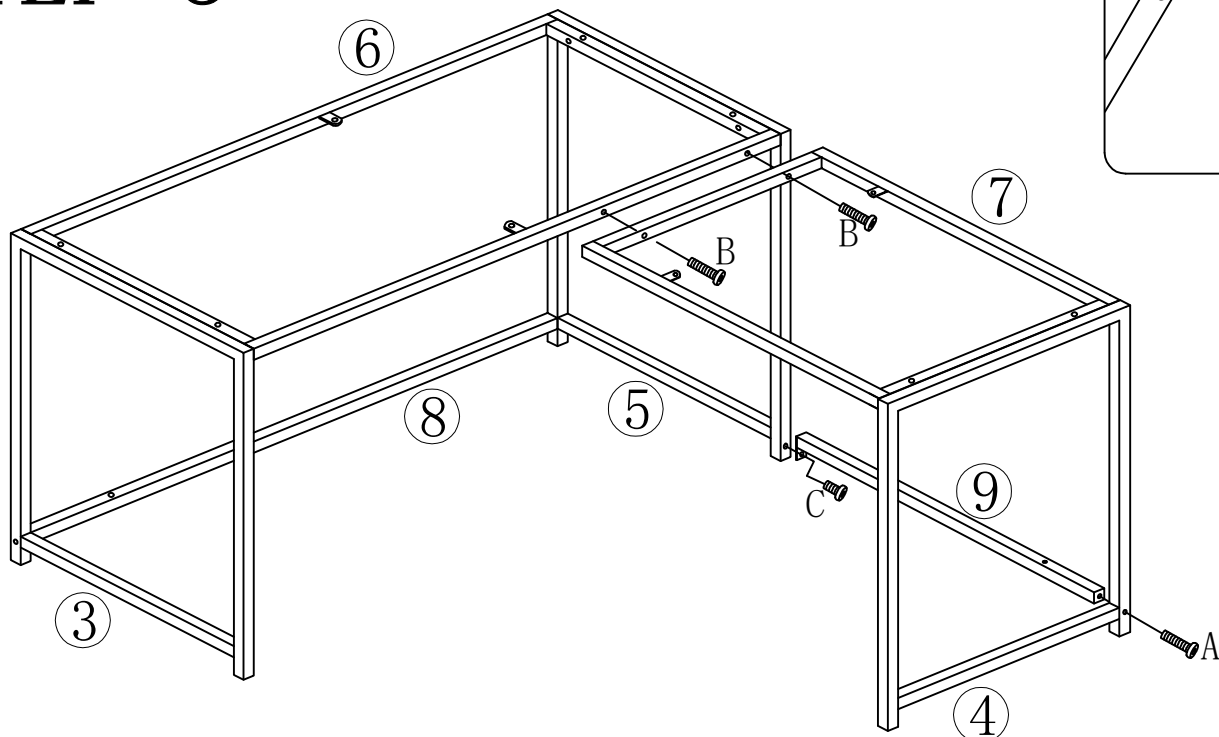
A	×2	B	×4	D	×1
					
M6*45mm		M6*35mm		M4*55mm	

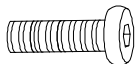
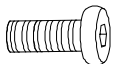
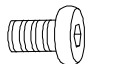
STEP 2



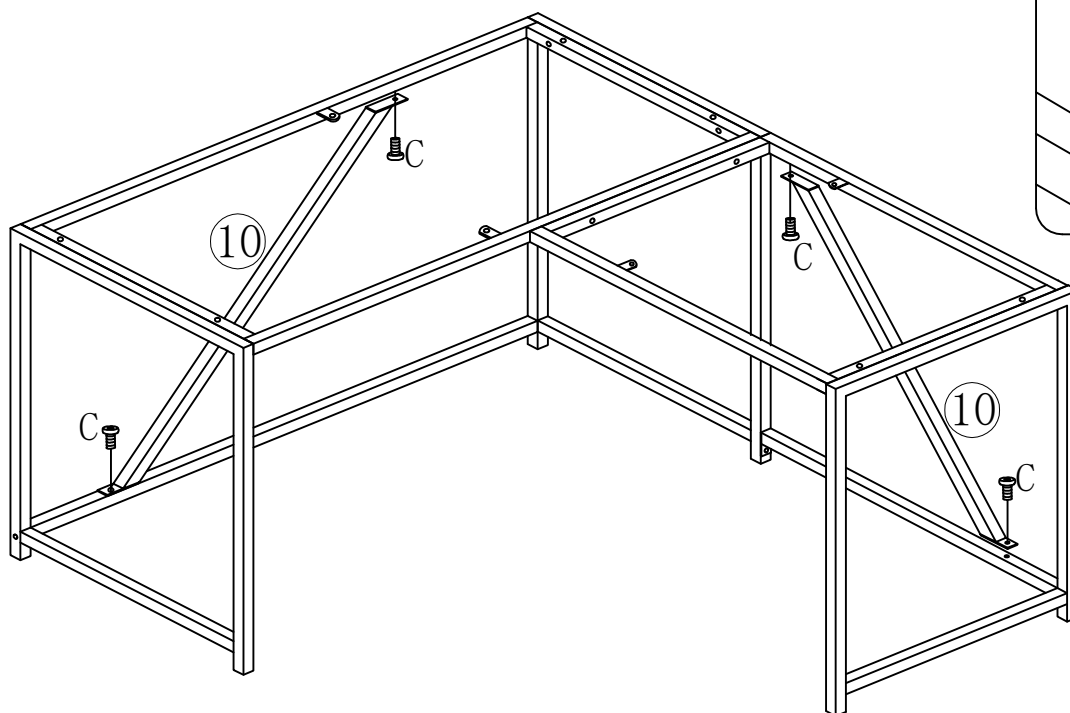
B	×2
	
M6*35mm	

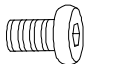
STEP 3



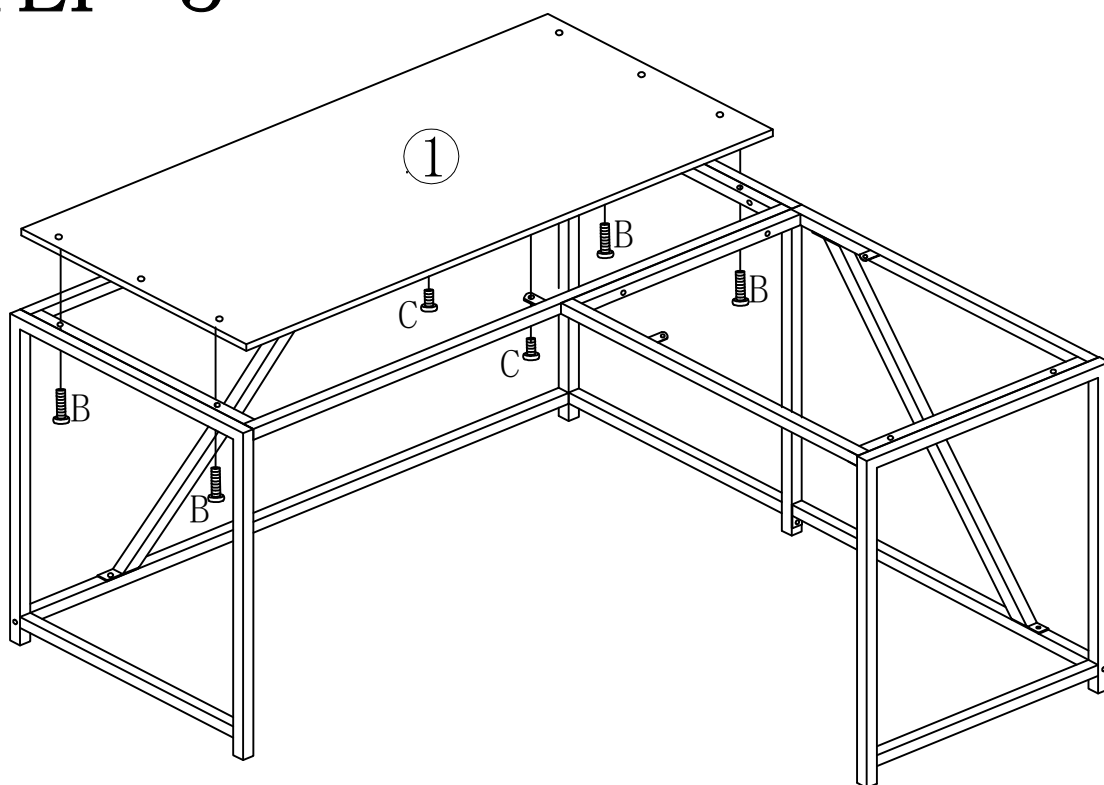
A	×1	B	×2	C	×1
					
M6*45mm		M6*35mm		M6*12mm	

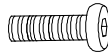
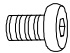
STEP 4



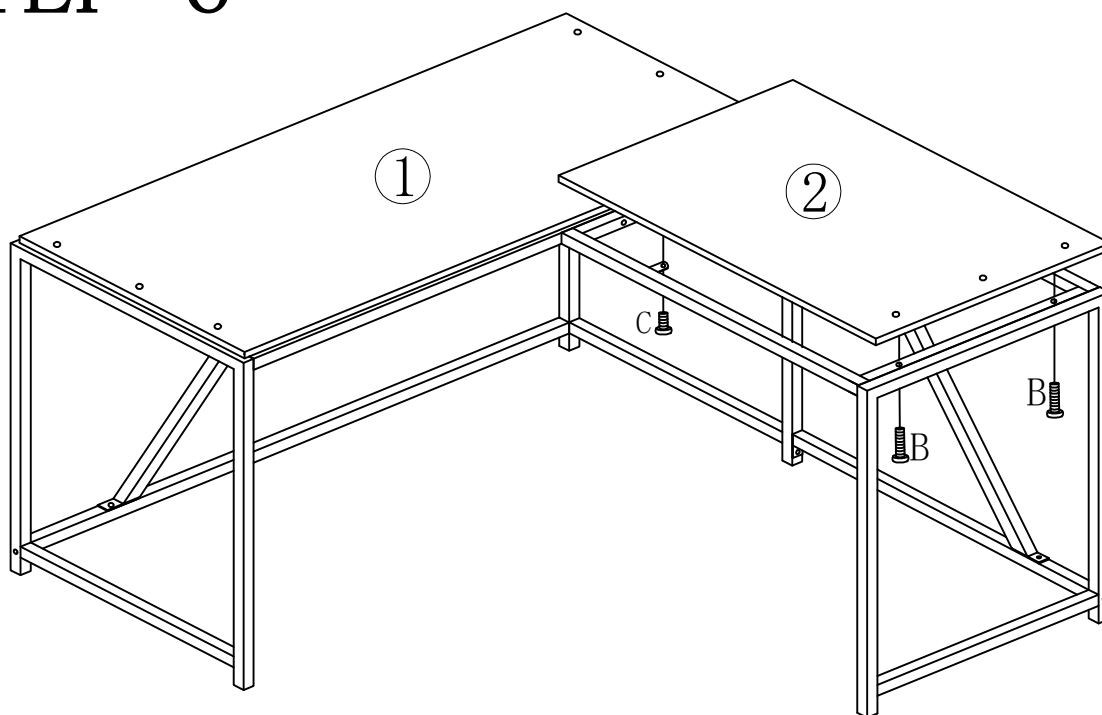
C	×4
	
M6*12mm	

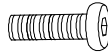
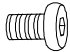
STEP 5



B	×4	C	×2
			
M6*35mm		M6*12mm	

STEP 6



B	×2	C	×2
			
M6*35mm		M6*12mm	