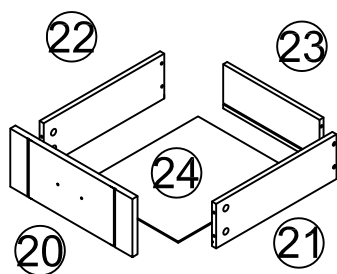
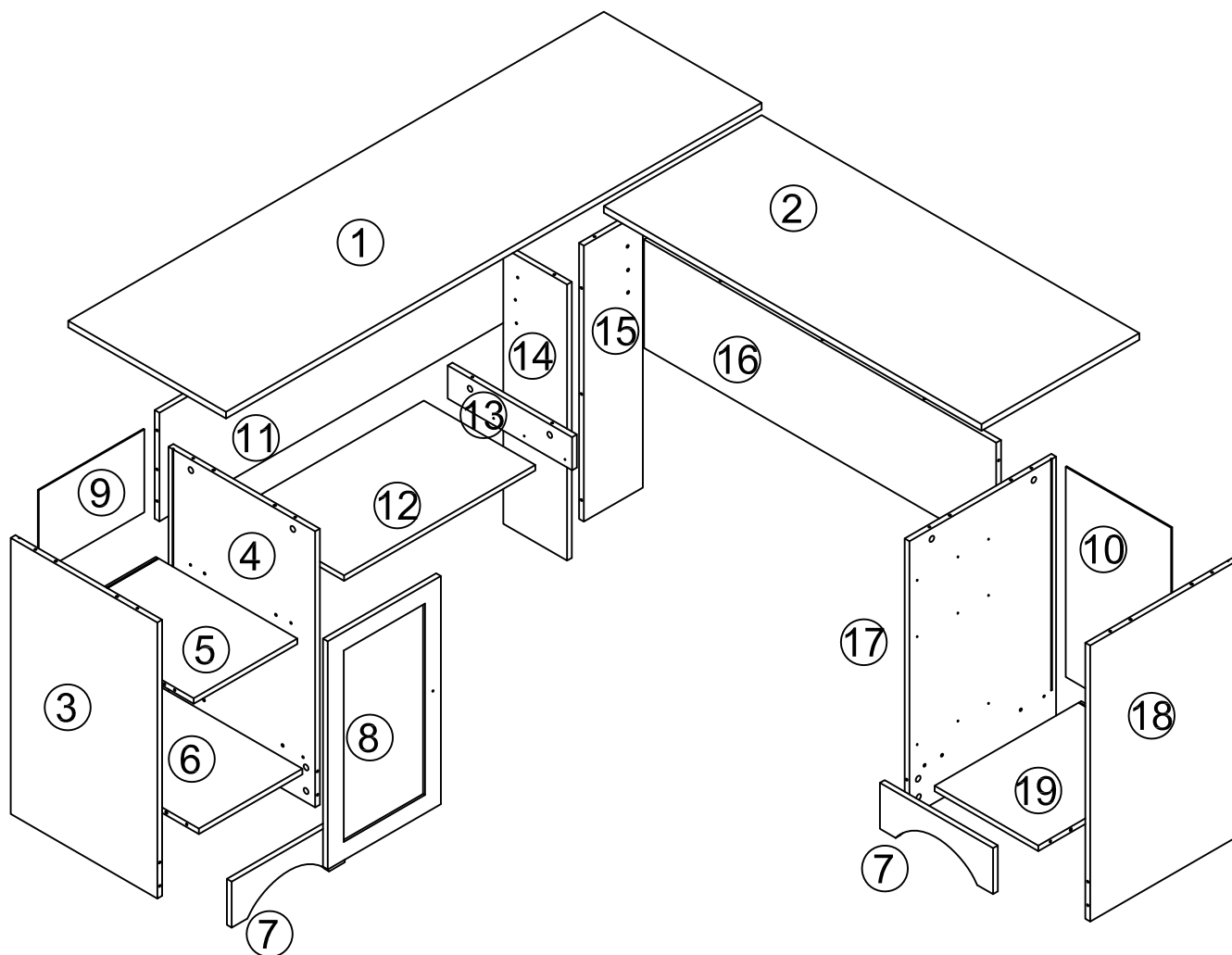
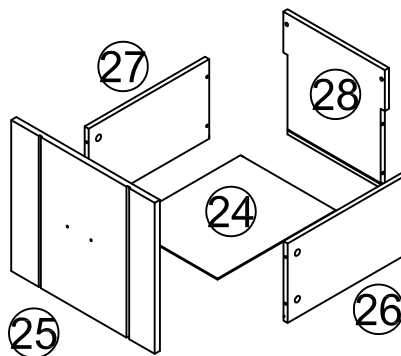


**WF192425+WF192426**

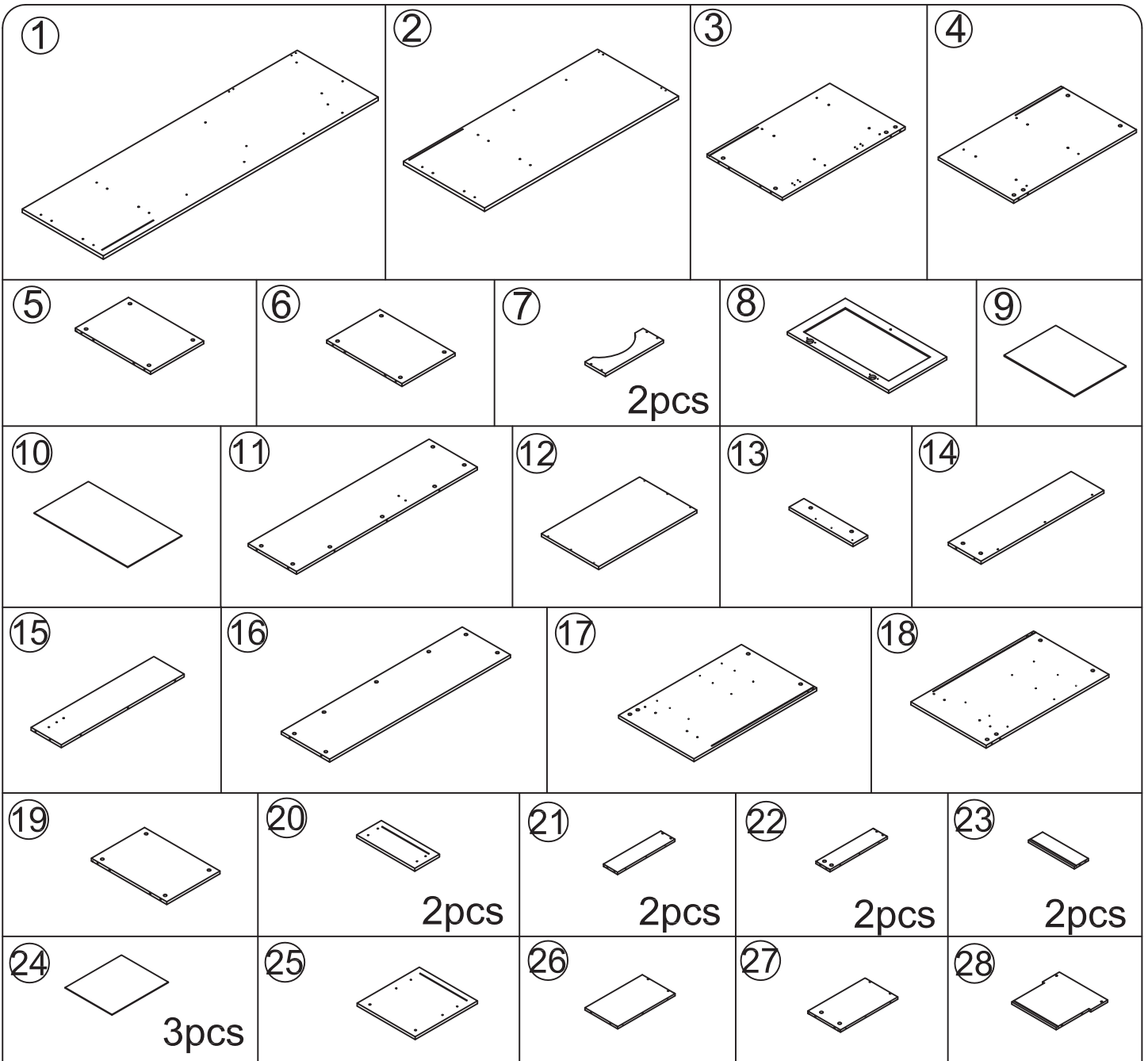


x2








# WF192425+WF192426

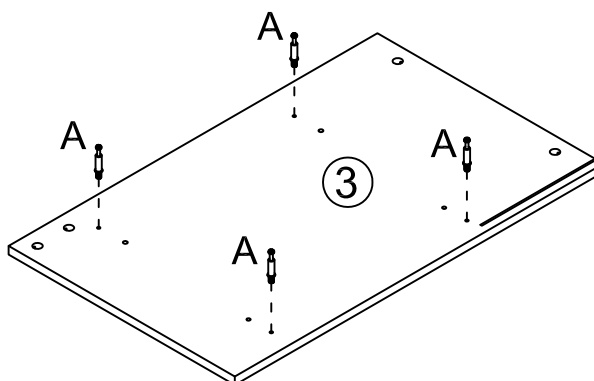
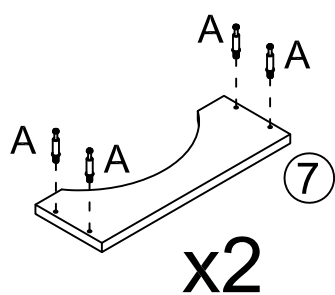
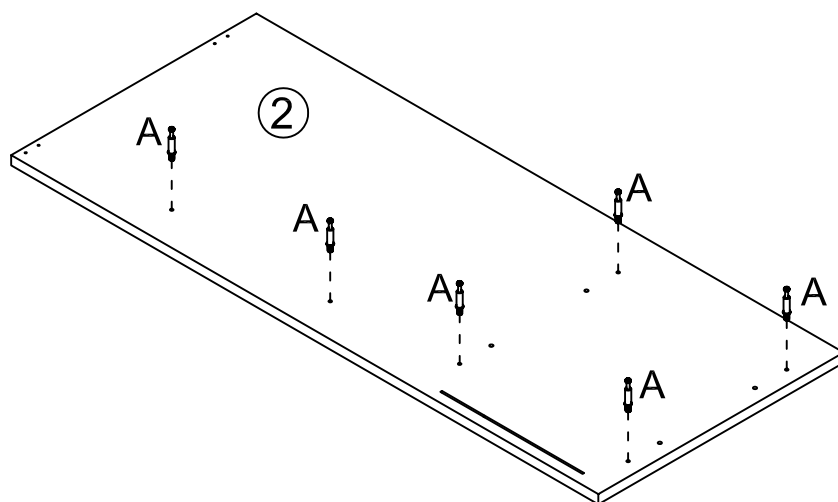
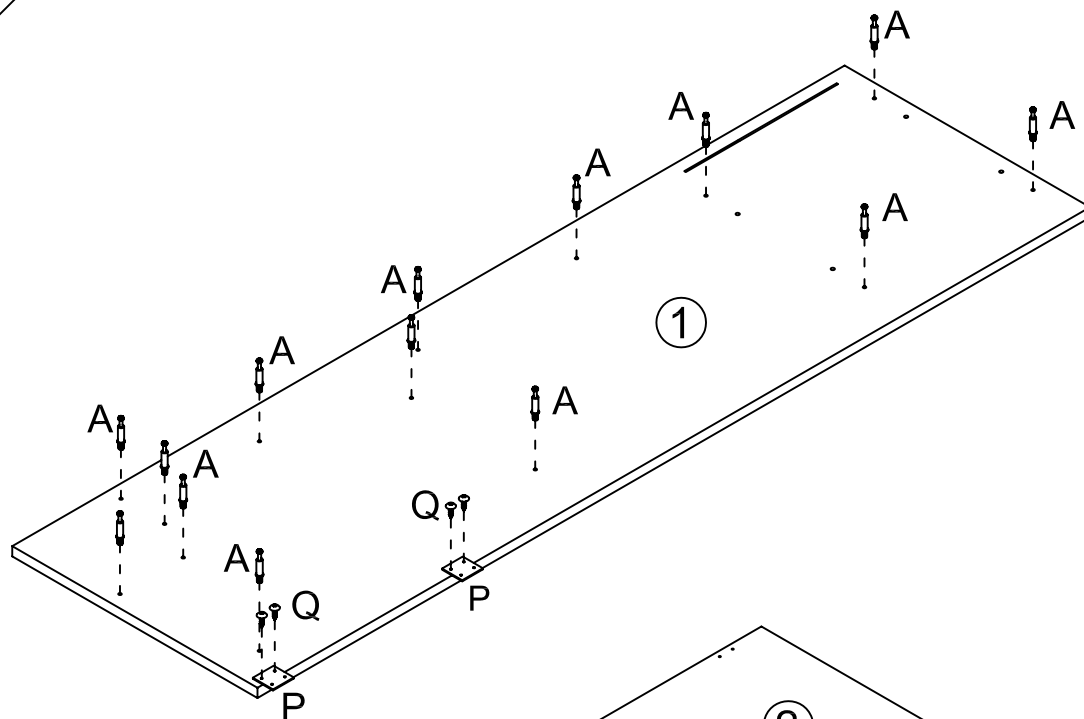


A	M6x35	63		K	M4x20	1	
B	1512	51		L		2	
C	M6x30	24		M	M4x40	2	
D	1595	12		N		12	
E	M4x30	12		O	M3x14	12	
F		4		P		2	
G		4		Q	M4x14	8	
H		4		R		2	
I		4		S	M4x14	12	
J	M3.5x12	54		T		3	

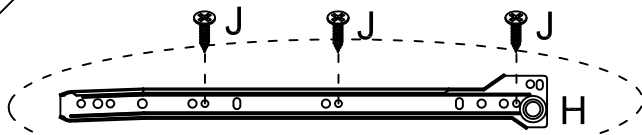
# 1





### .SCREWS

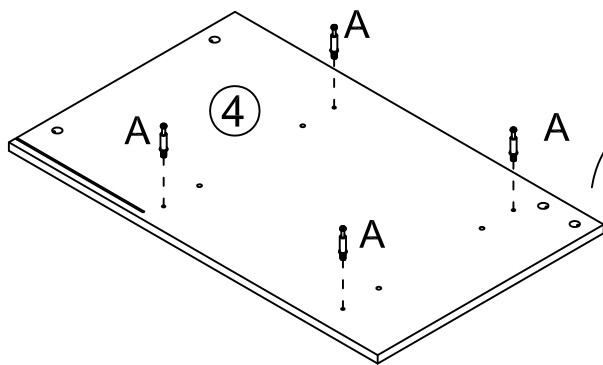
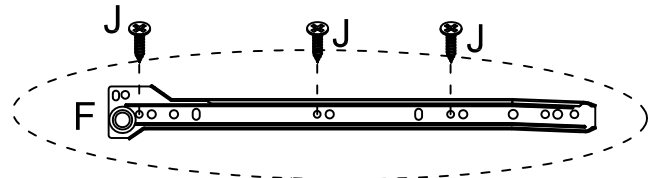
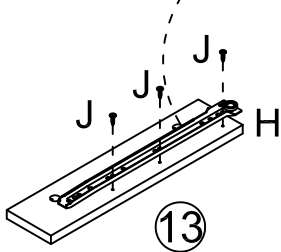
A		M6x35 32 PCS
Q		M4X14 4 PCS
P		2 PCS



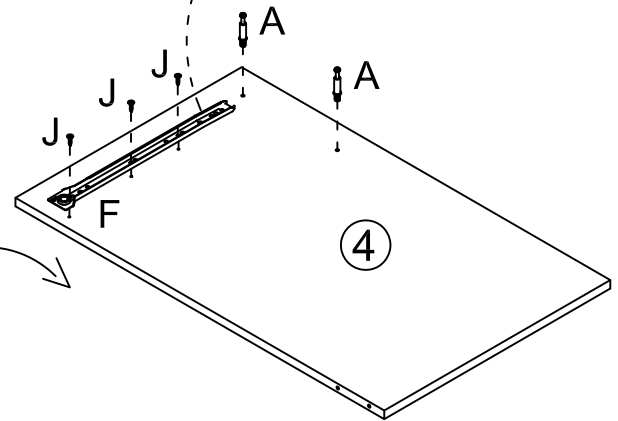
## 2






.SCREWS		.SCREWS	
A	 M6X35 6 PCS	F	 1 PC
J	 M3.5X12 6 PCS	H	 1 PC

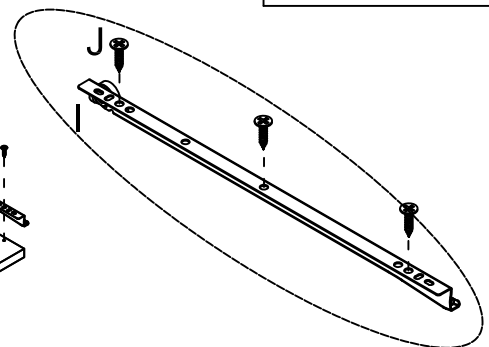
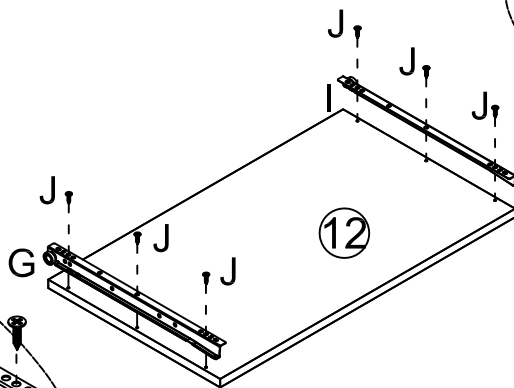
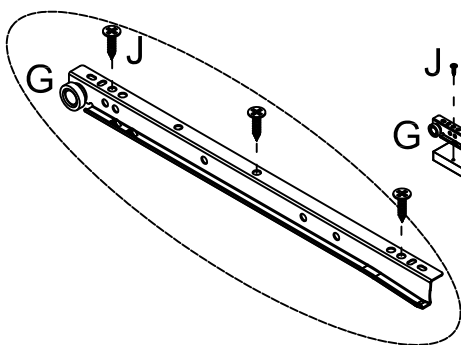


180°

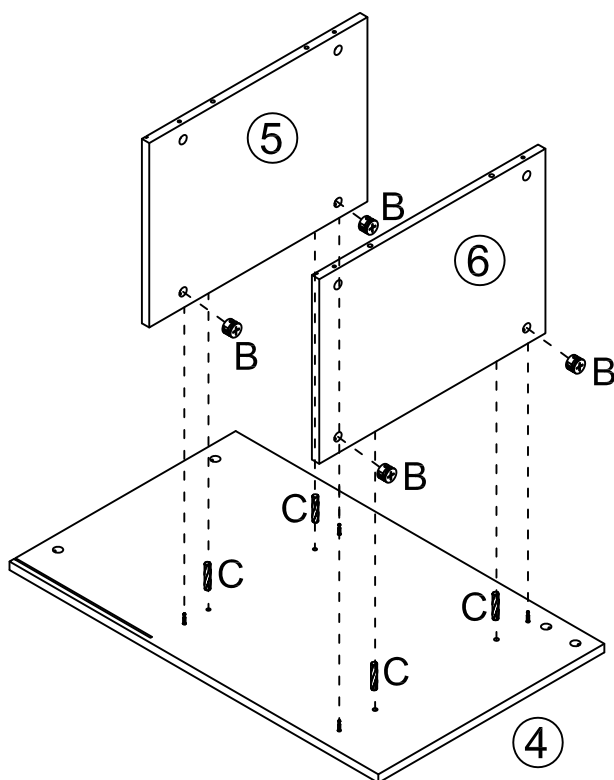


## 3

.SCREWS	
G	 1 PC
I	 1 PC
J	 M3.5X12 6 PCS



### 4

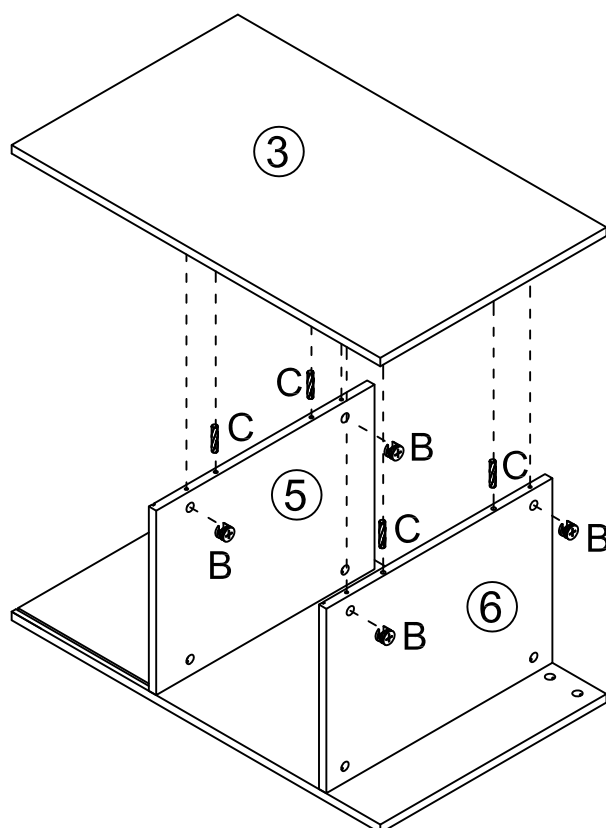


.SCREWS

B  4 PCS

C  M6X30  
4 PCS

### 5

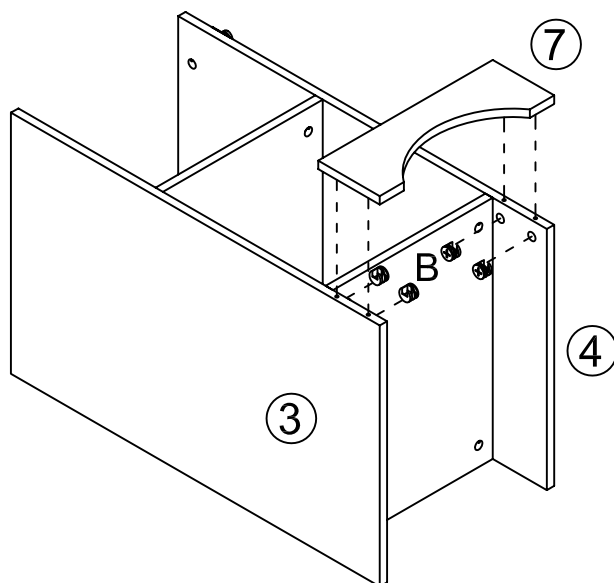


.SCREWS

B  4 PCS

C  M6X30  
4 PCS



## 6





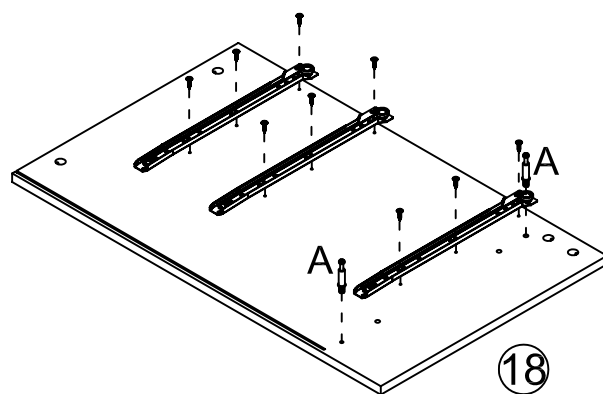
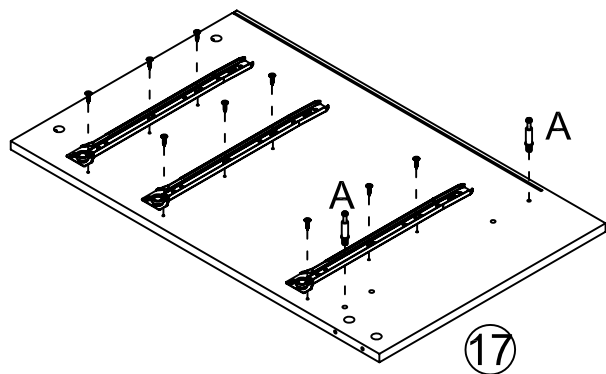
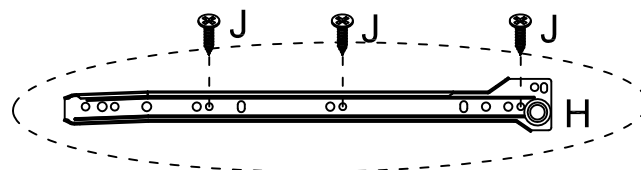
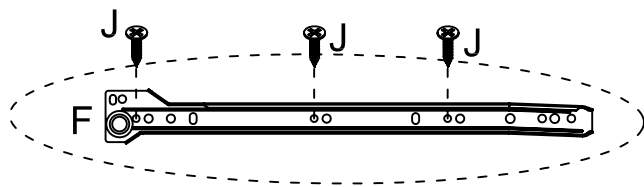
.SCREWS

B  4 PCS

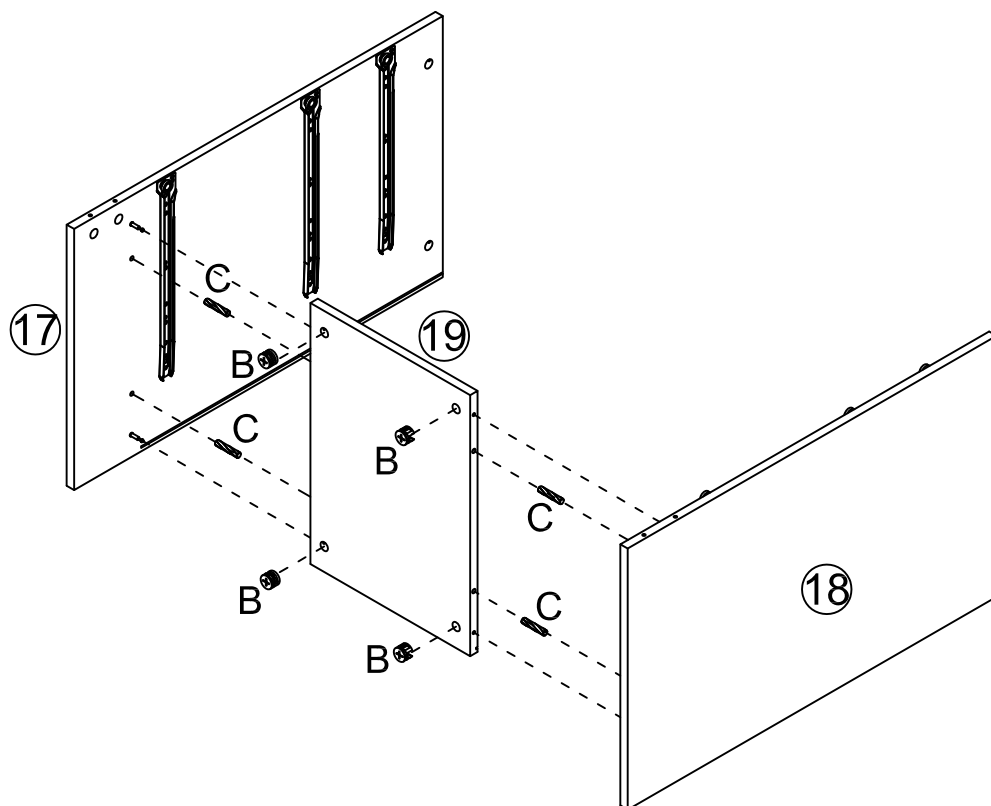
## 7

.SCREWS	
F 	3 PCS
H 	3 PCS



.SCREWS	
A 	M6X35 4 PCS
J 	M3.5X12 18 PCS



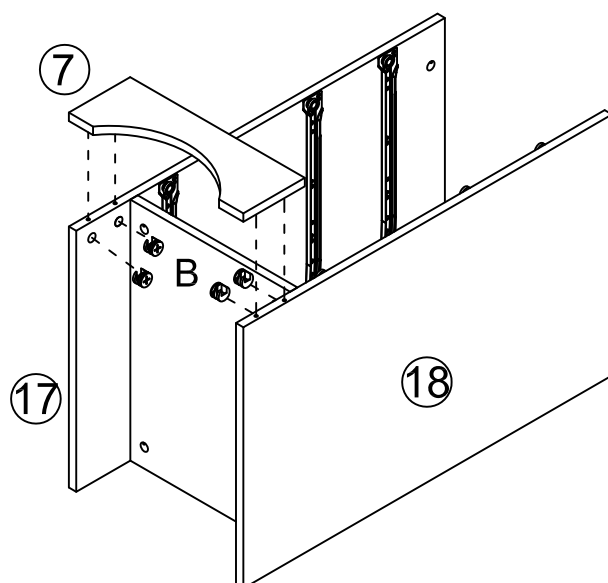
## 8



.SCREWS

B		4 PCS
C		M6X30 4 PCS

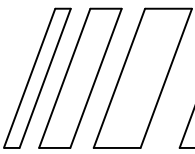
## 9




.SCREWS

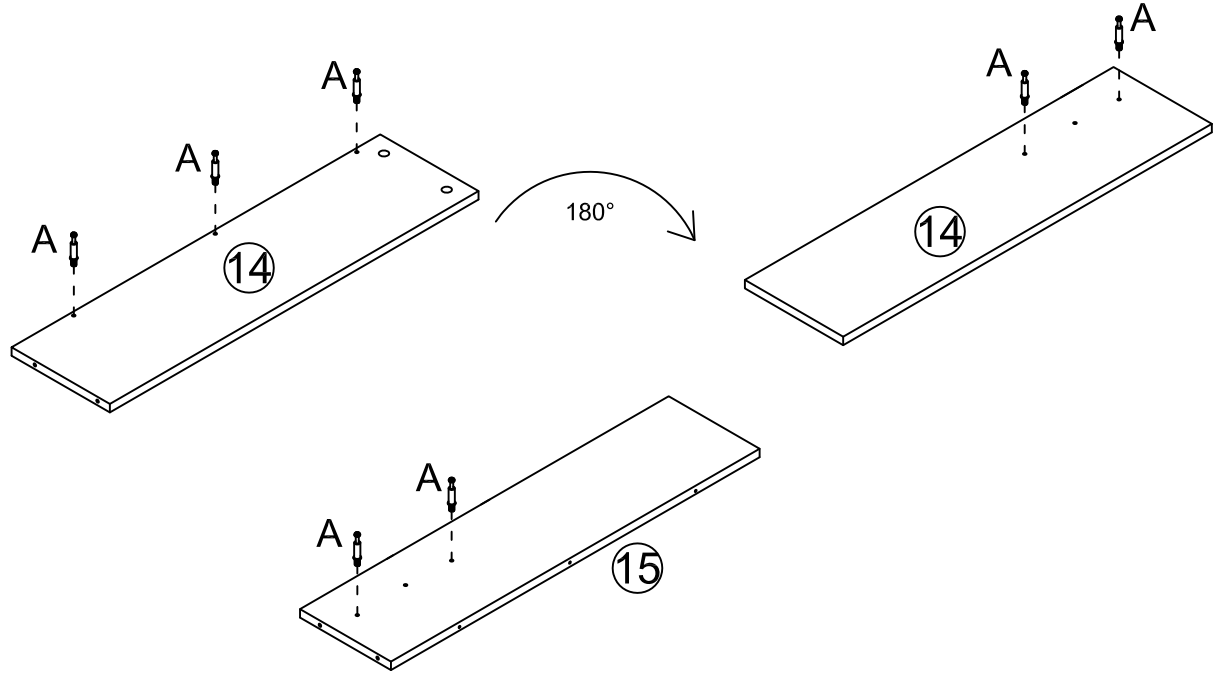
B		4 PCS
---	---	-------






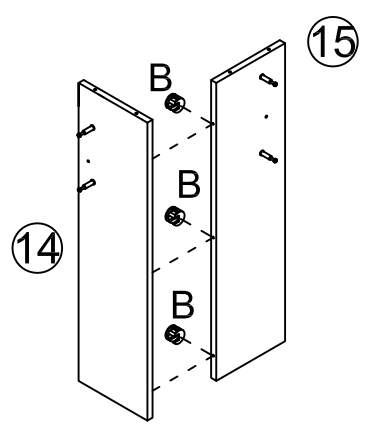
### 10

.SCREWS		
A		M6X35 7 PCS

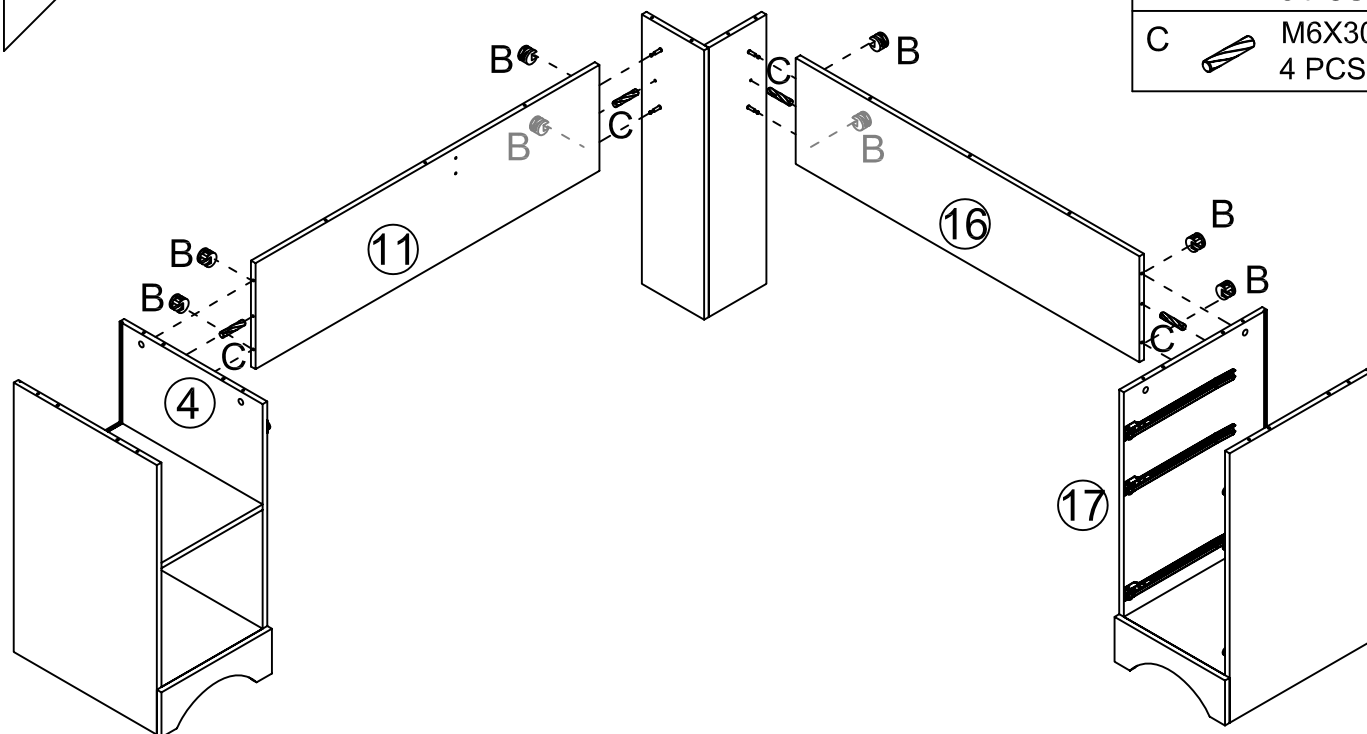




### 11

.SCREWS		
B		3 PCS

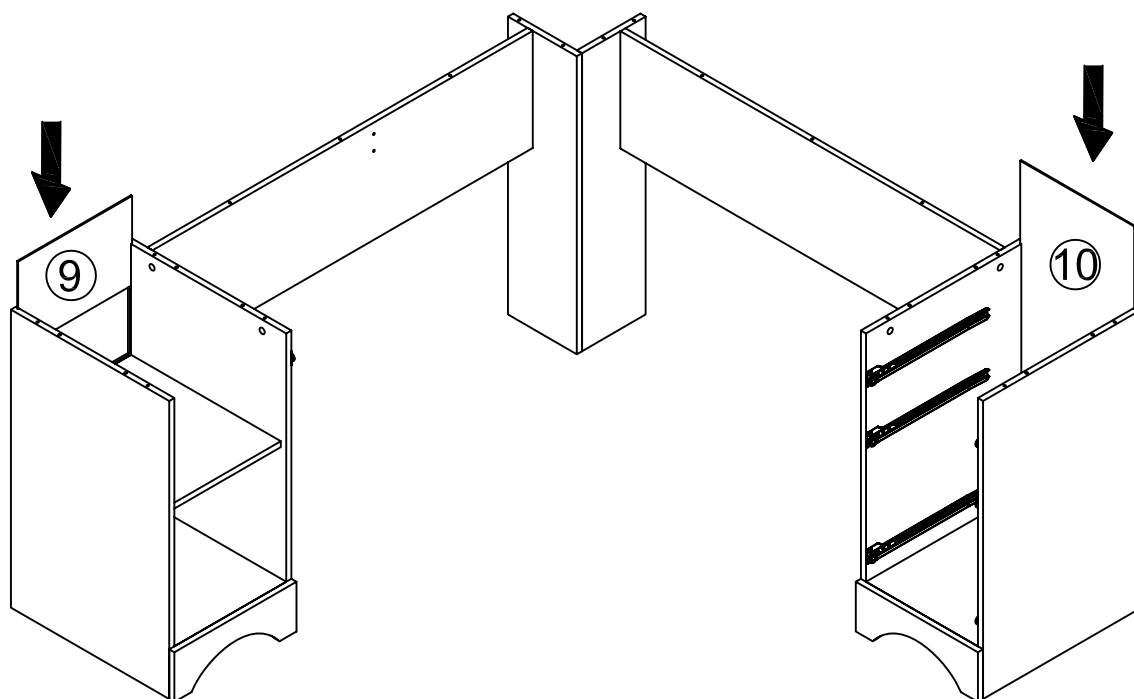


## 12



.SCREWS	
B	 8 PCS
C	 M6X30 4 PCS

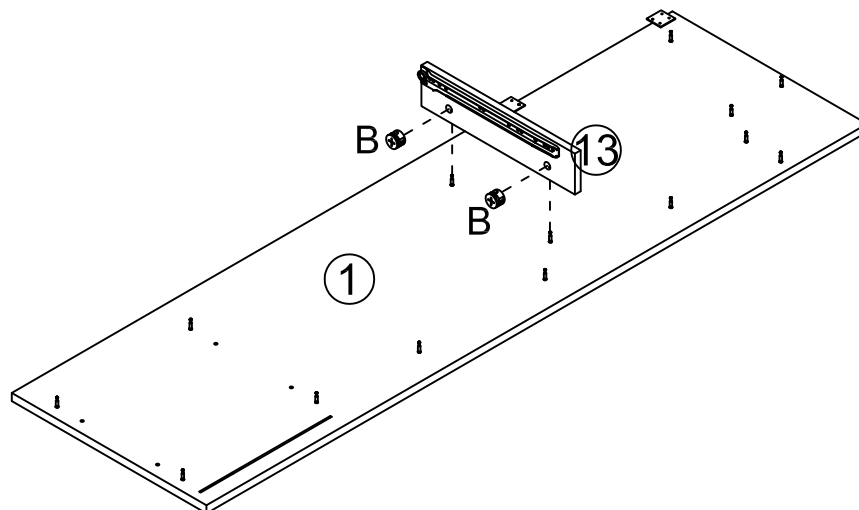
## 13



## 14

.SCREWS

B  2 PCS

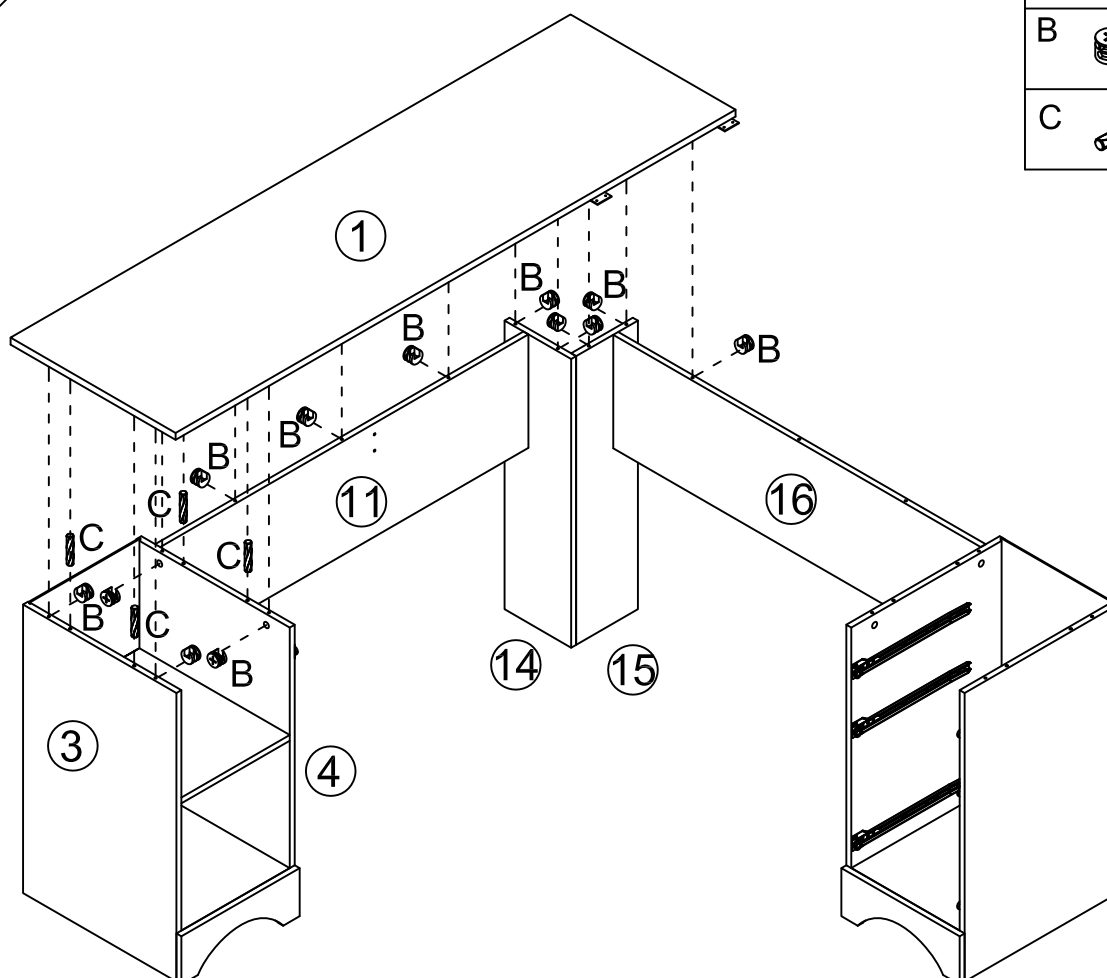


## 15

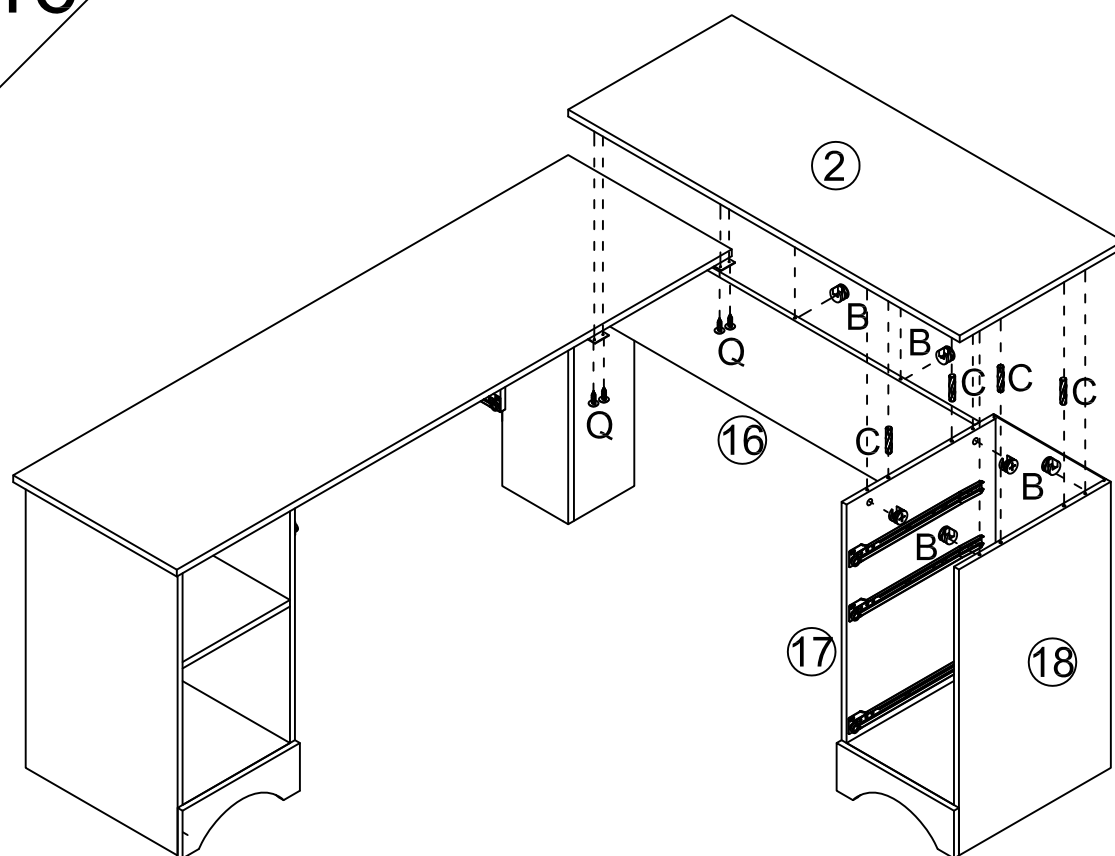
.SCREWS

B  12 PCS




C  M6X30  
4 PCS



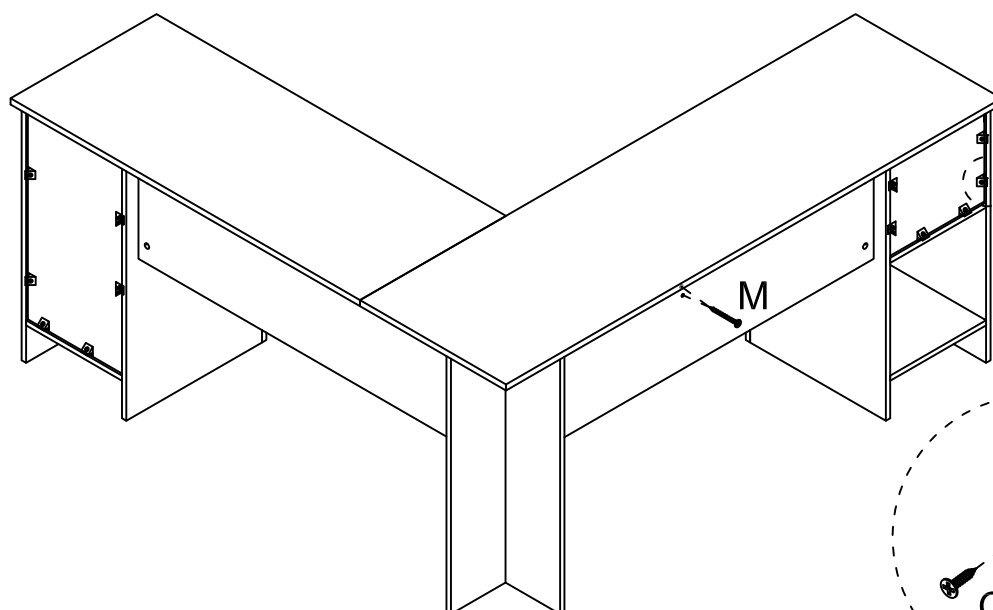
## 16






### .SCREWS

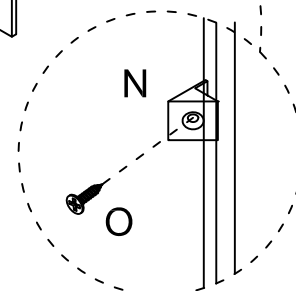
B		6 PCS
C		M6X30 4 PCS
Q		M4X14 4 PCS

## 17







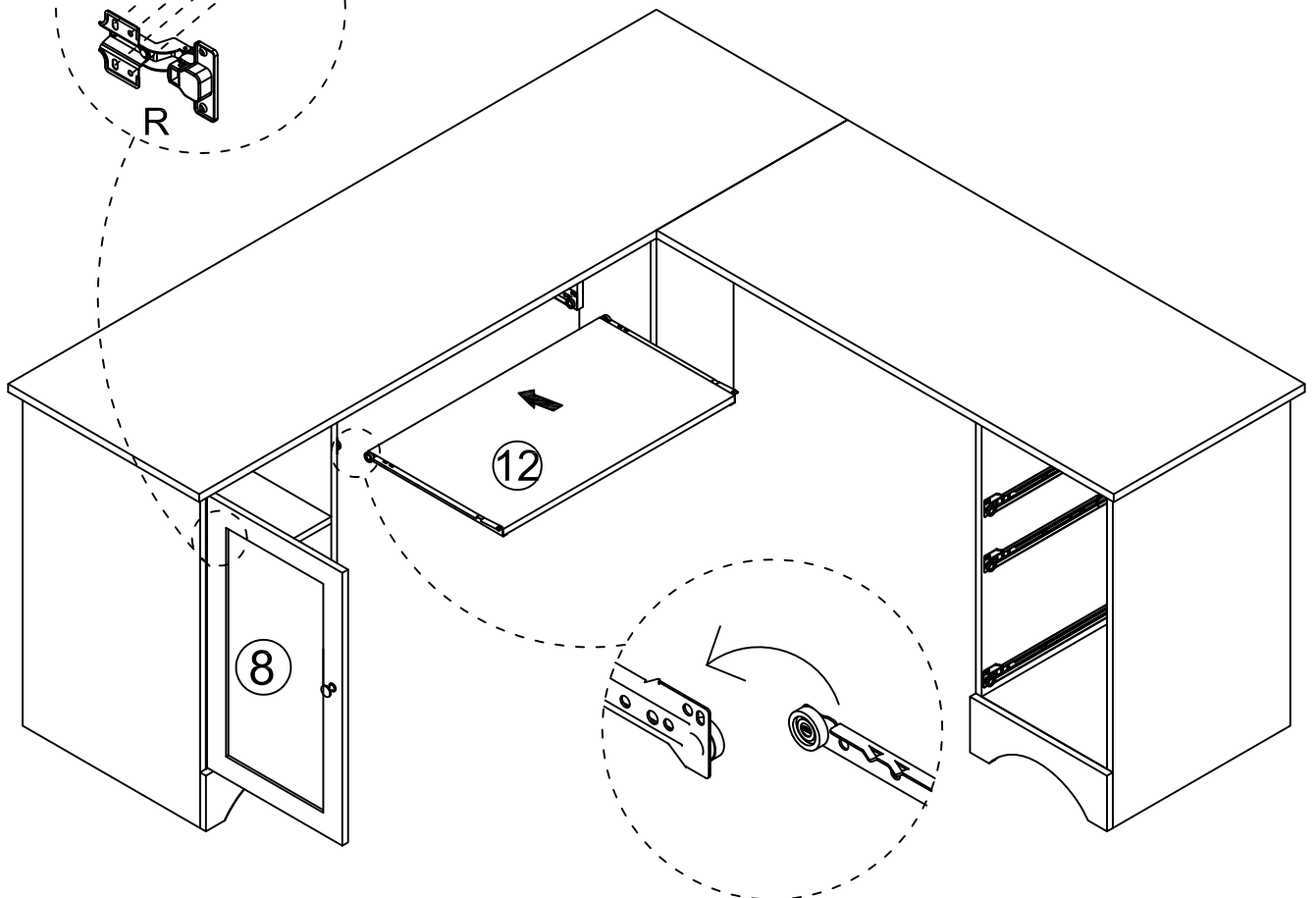
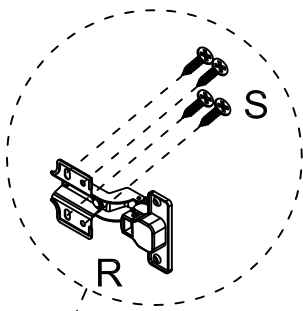
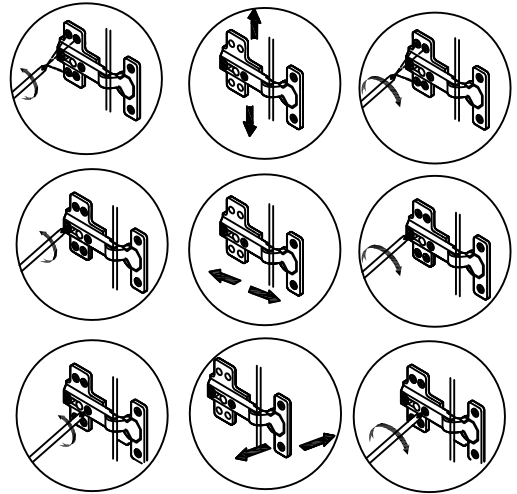
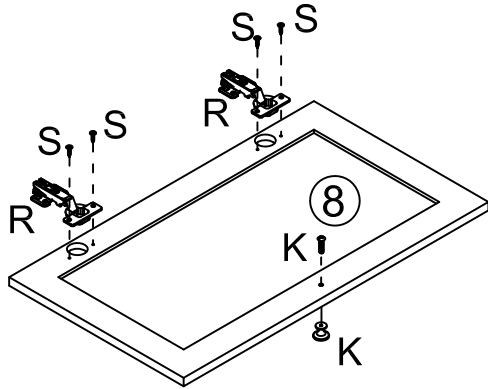
### .SCREWS

N		12 PCS
O		M3X14 12 PCS
M		2 PCS

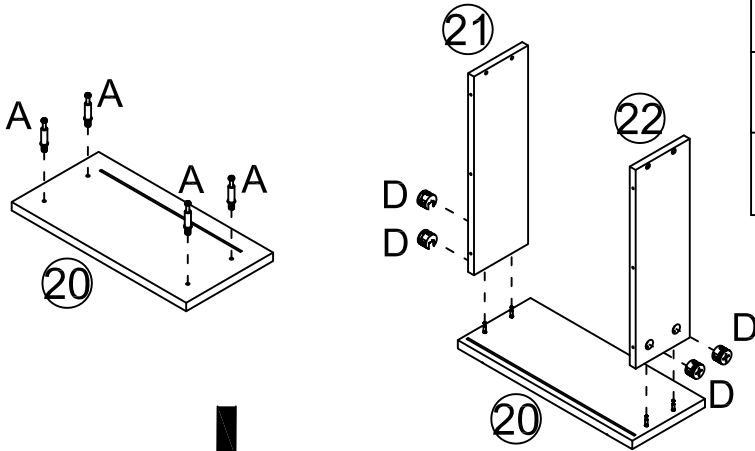





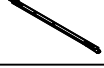



## 18

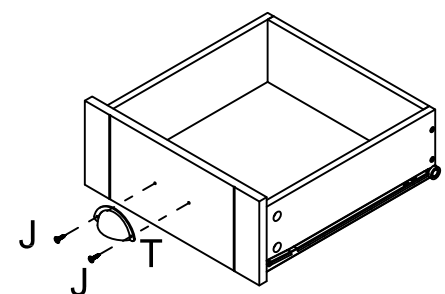
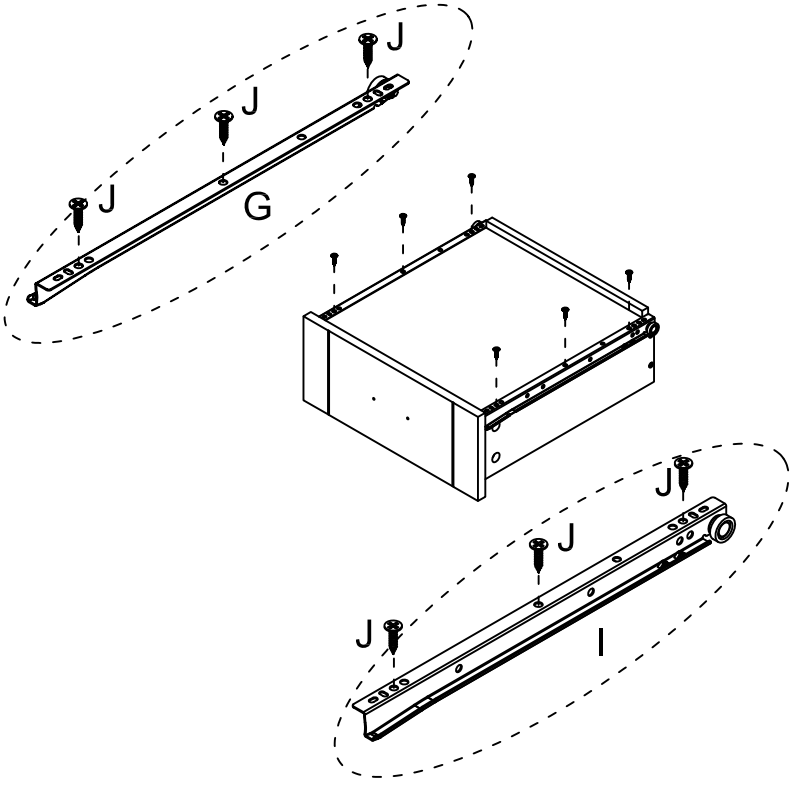
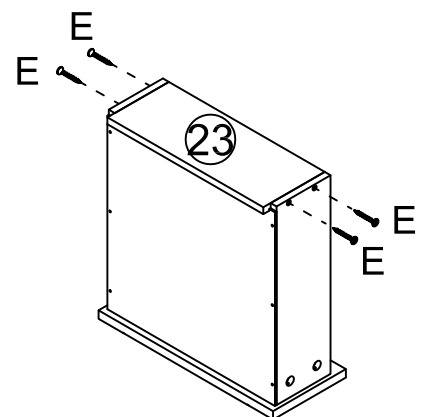
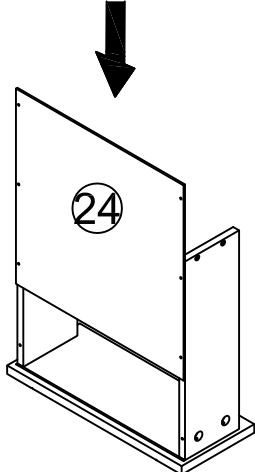
.SCREWS		.SCREWS	
R	 2 PCS	K	 1 PC
S	 M4X14 12 PCS	K	 1 PC



19

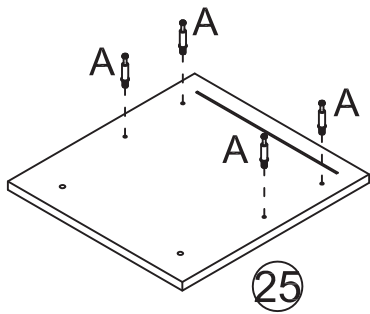




.SCREWS		.SCREWS	
A	 M6X35 8 PCS	G	 2 PCS
J	 M3.5X12 16 PCS	I	 2 PCS
E	 M4X30 8 PCS	D	 8 PCS
		T	 2 PCS









x2

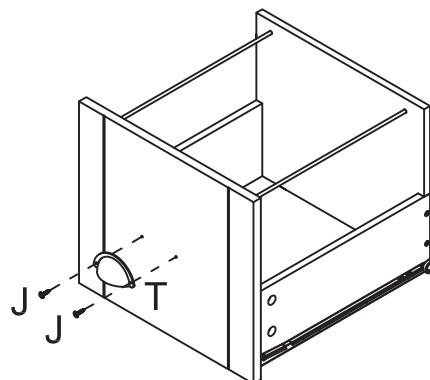
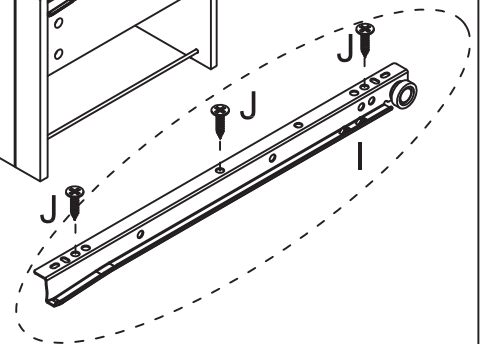
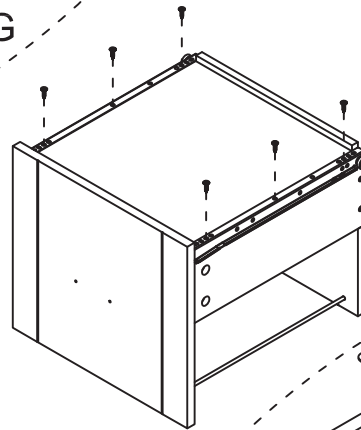
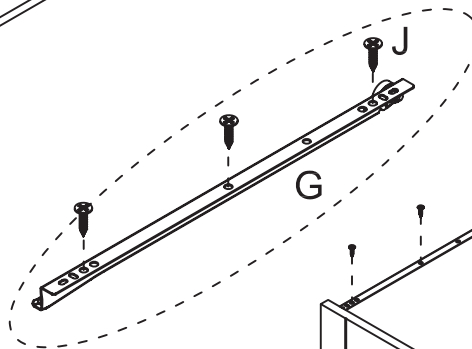
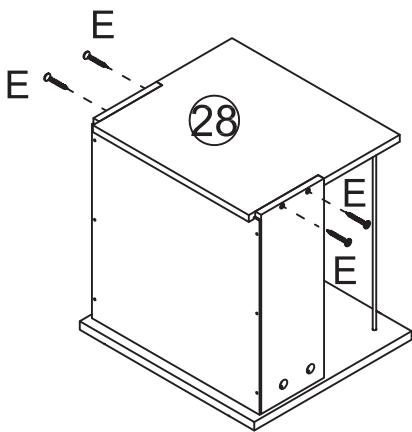
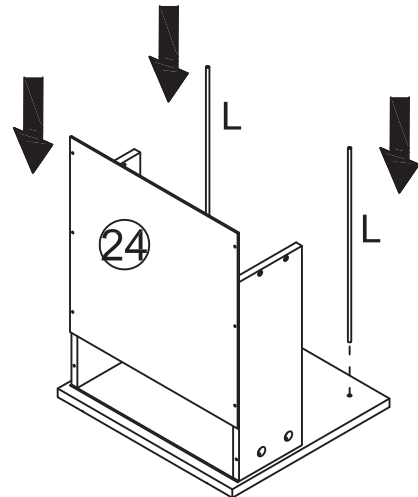
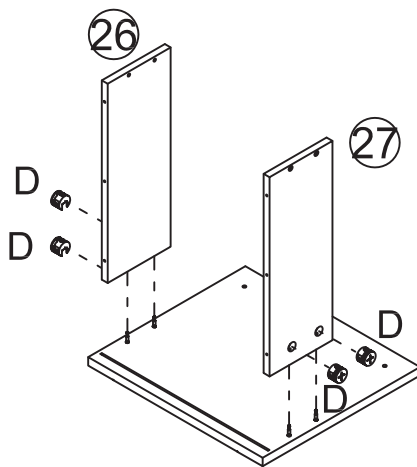
20

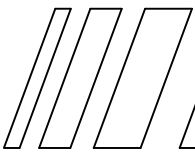


.SCREWS	
T	 1 PC
L	 2 PCS

.SCREWS	
A	 M6X35 4 PCS
J	 M3.5X12 8 PCS
E	 M4X30 4 PCS

.SCREWS	
G	 1 PC
I	 1 PC
D	 4 PCS





21

