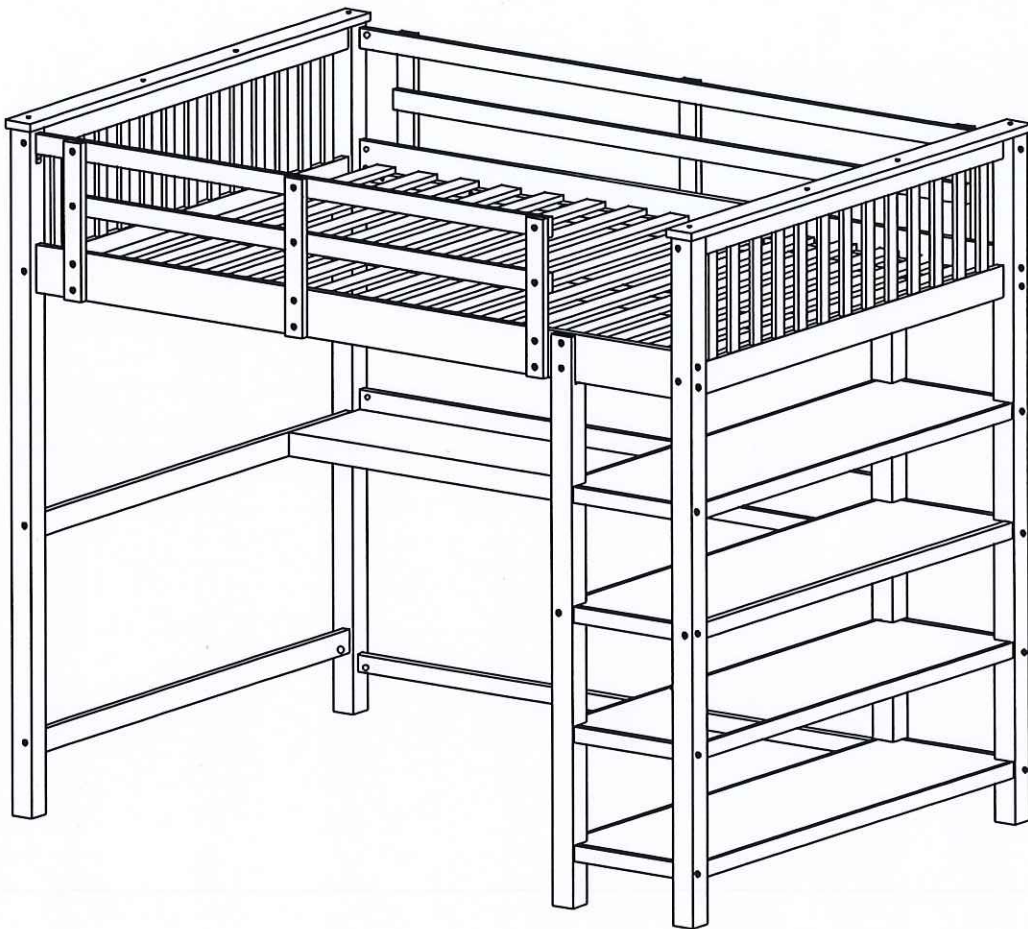


LOFTBED TWIN SIZE WITH SHELVES

WF199590/199591



Part List

Ax1 	Bx1 	Cx1 	Dx1 	Ex1 	Fx1 	Gx2
						Jx2
Sx1 	Tx4 	S5x1 				
S1x1 	Wx10 		S3x6 		S4x1 	
S2x1 	Vx1 		S6x8 		S7x1 	

HARDWARE

① Bolts-M6x25 -28pcs



② Bolts-M6x60 -2pcs



③ Bolts-M6x80 -15pcs



④ Ø6x13 -17 pcs



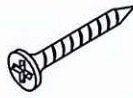
⑤ M13 x15-28pcs



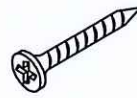
⑥ Wood-screw 6x70-16pcs



⑦ Wood-screw 6 x90-16pcs



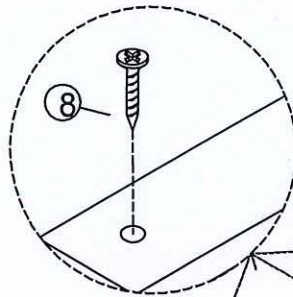
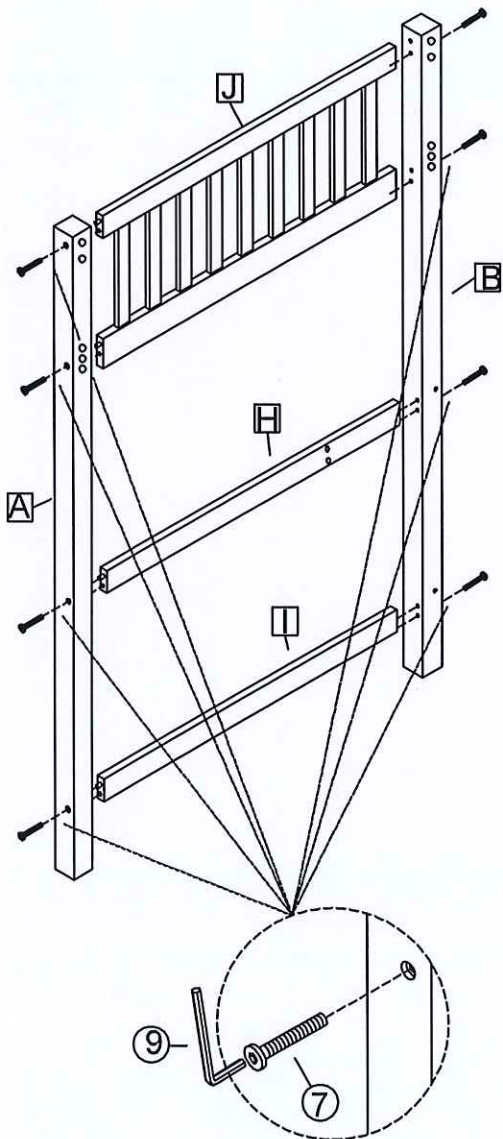
⑧ screw 4x30 -82pcs



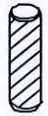
⑨ Allen key M4



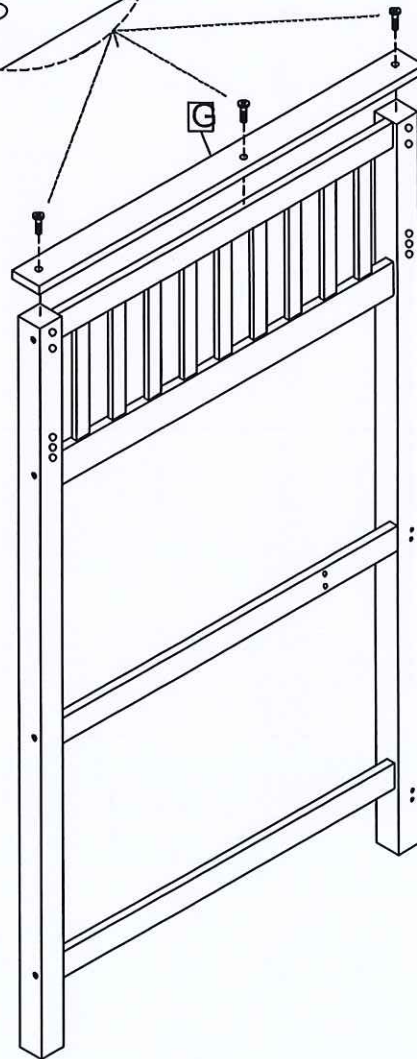
Step 1



⑫




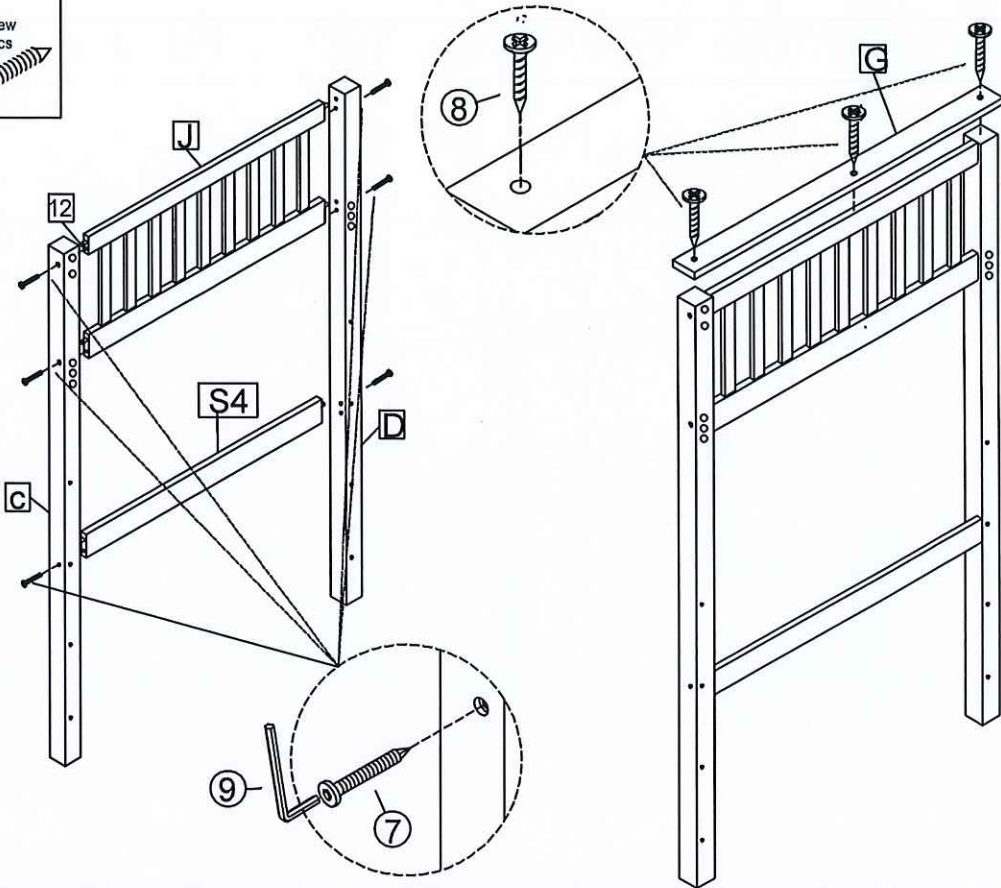
Ø1/4" 30 mm
30 pcs





Step 2

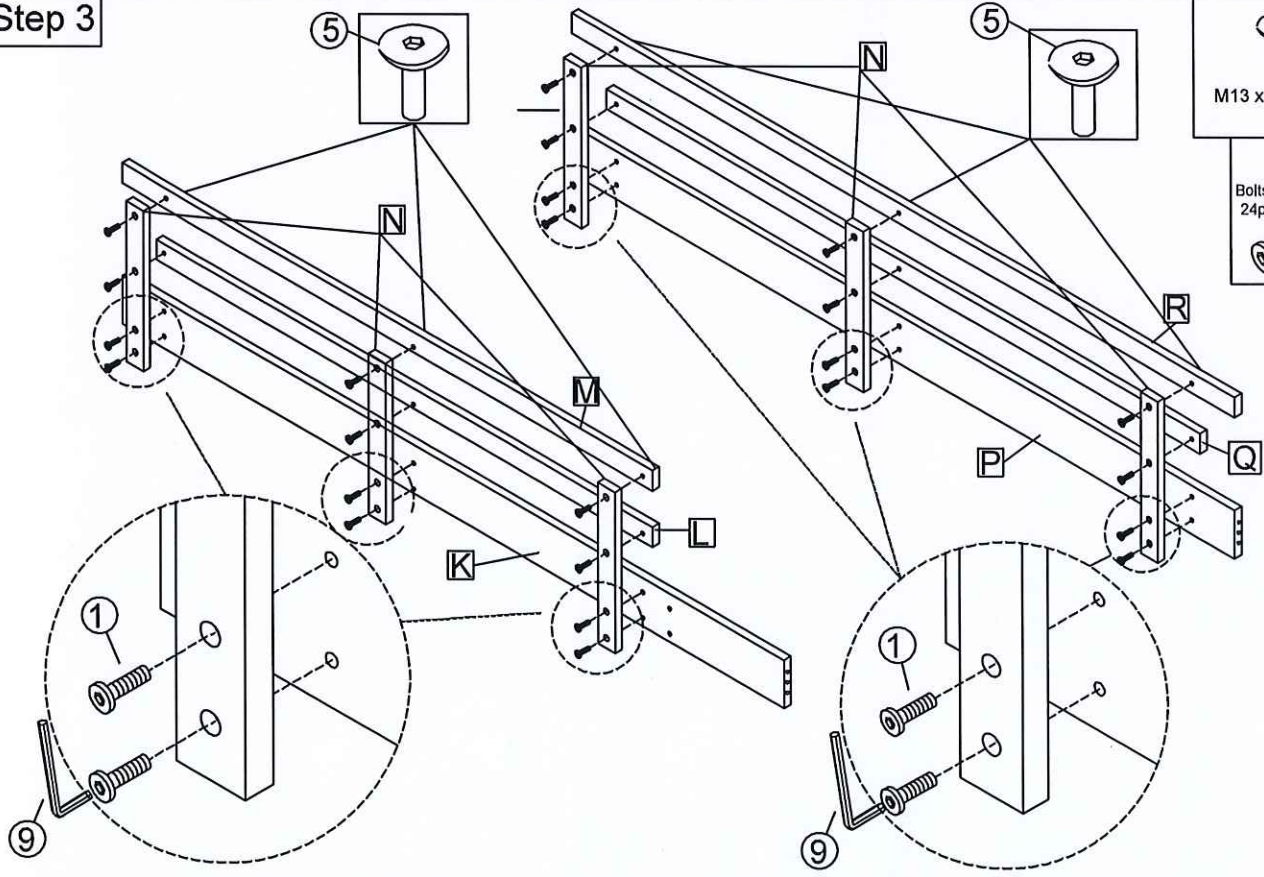
- 8 screw 4x30
3pcs
- 7 wood crew
6x90 6pcs

- 12 
Ø1/4 "30 mm
6 pcs



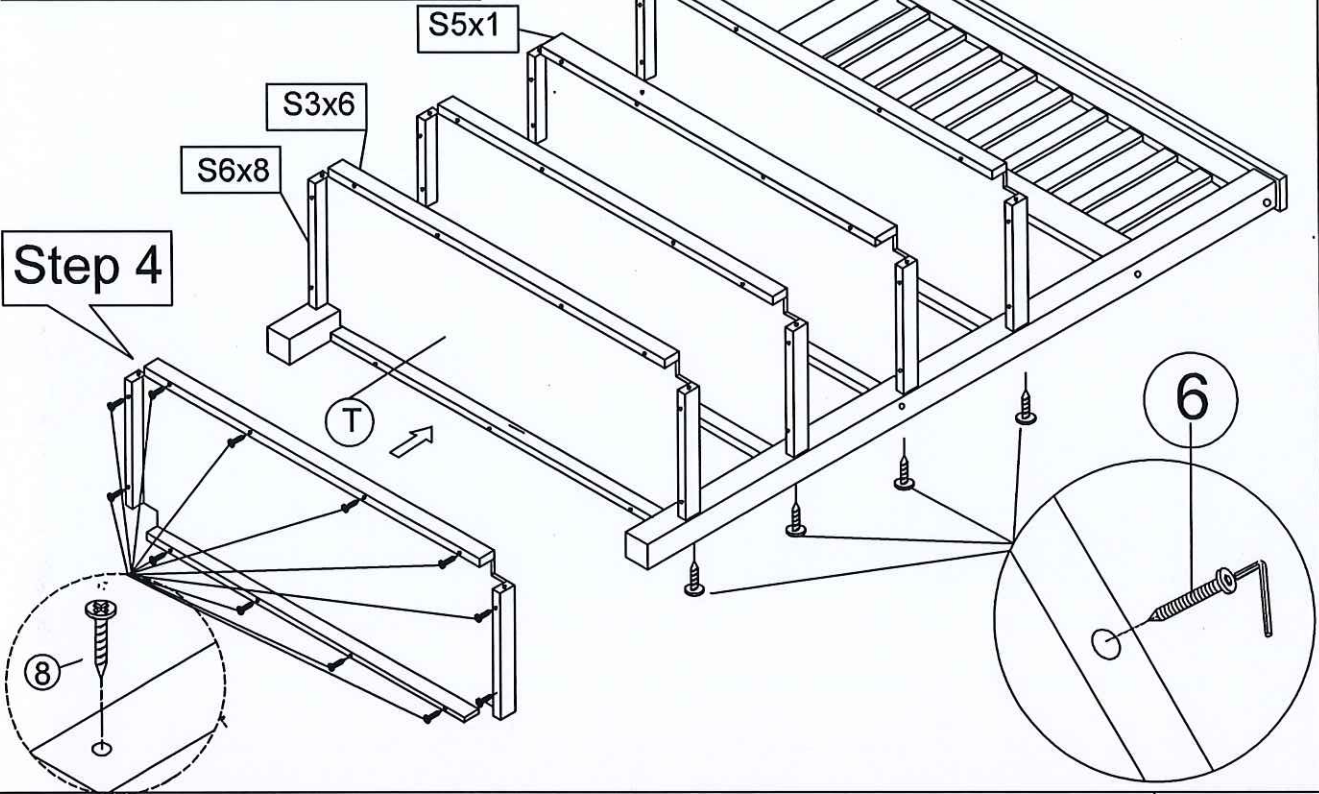
Step 3

- 5 
M13 x15-24pcs
- 1 
Bolts-M6x25
24pcs

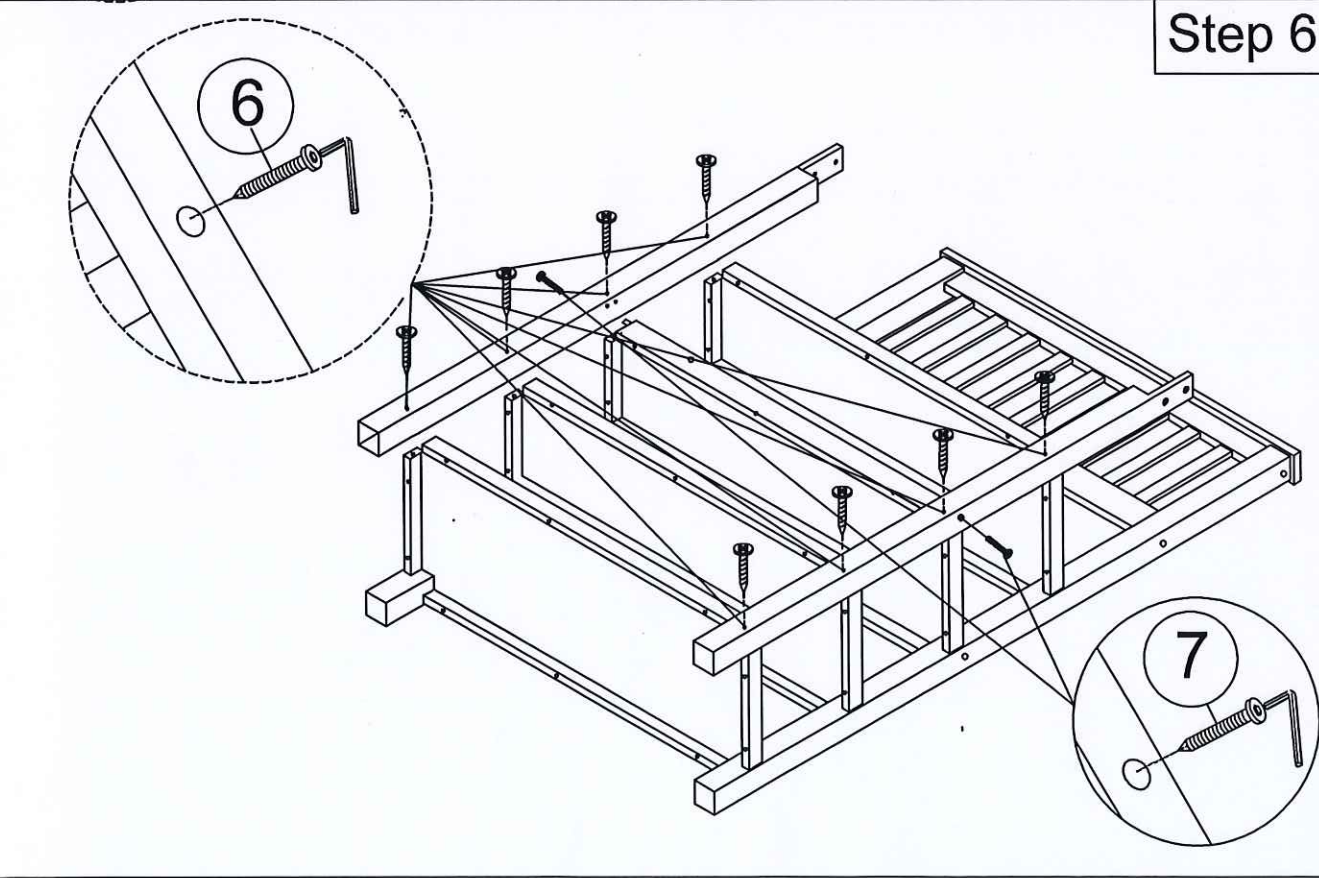


Step 5

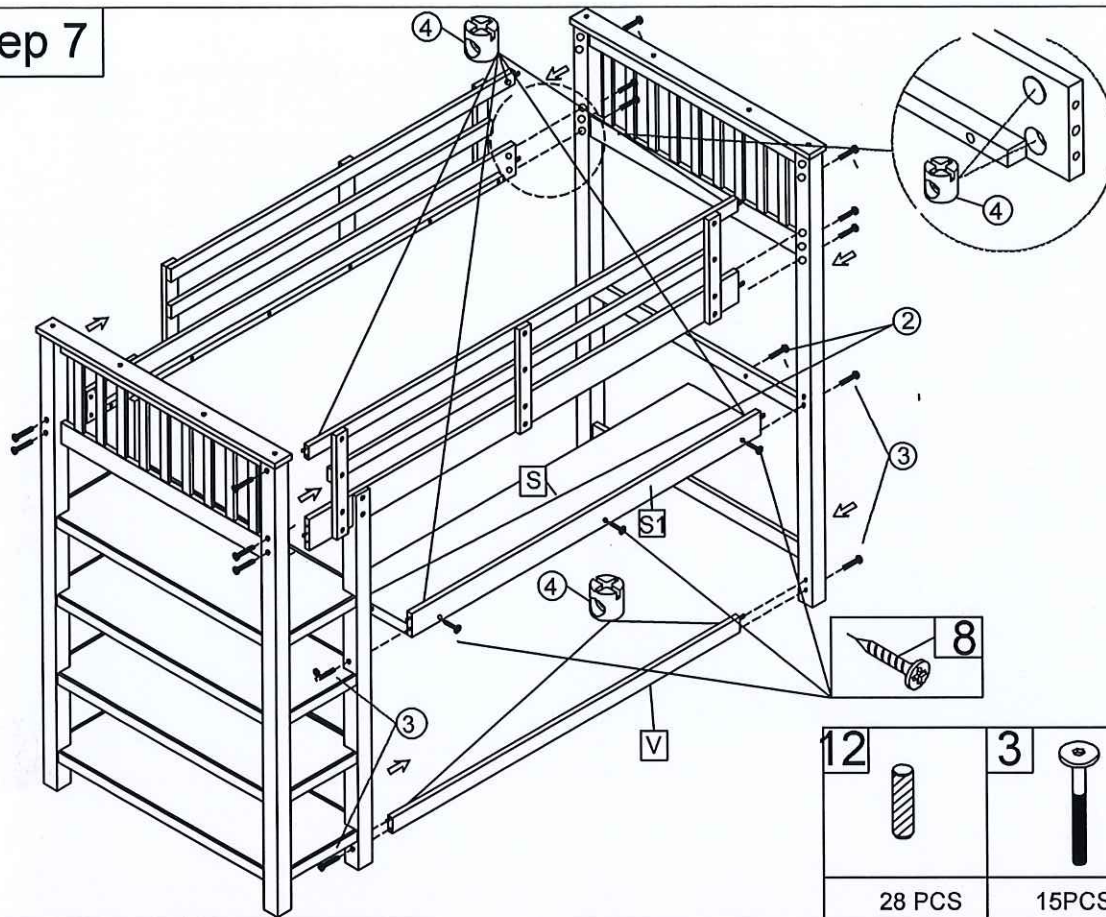
- 8** screw 4x30
48pcs
- 7** wood-crew-6x90
2 pcs
- 6** wood-screw 6x70
16pcs
- 12** Ø1/4 "30 mm
2 pcs



Step 6

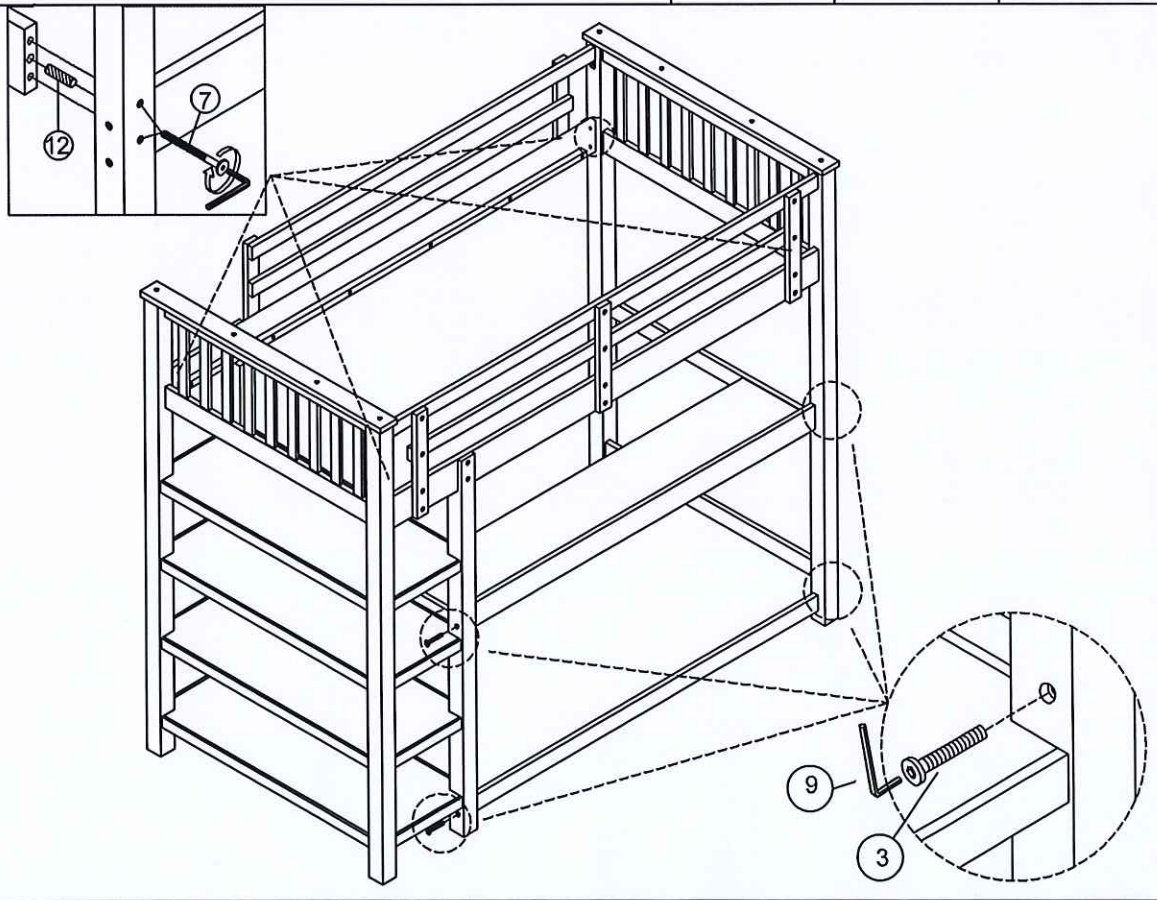


Step 7



2		2 PCS
8		3 PCS
12		28 PCS
3		15 PCS
4		17 PCS

Step 8



Step 9

1

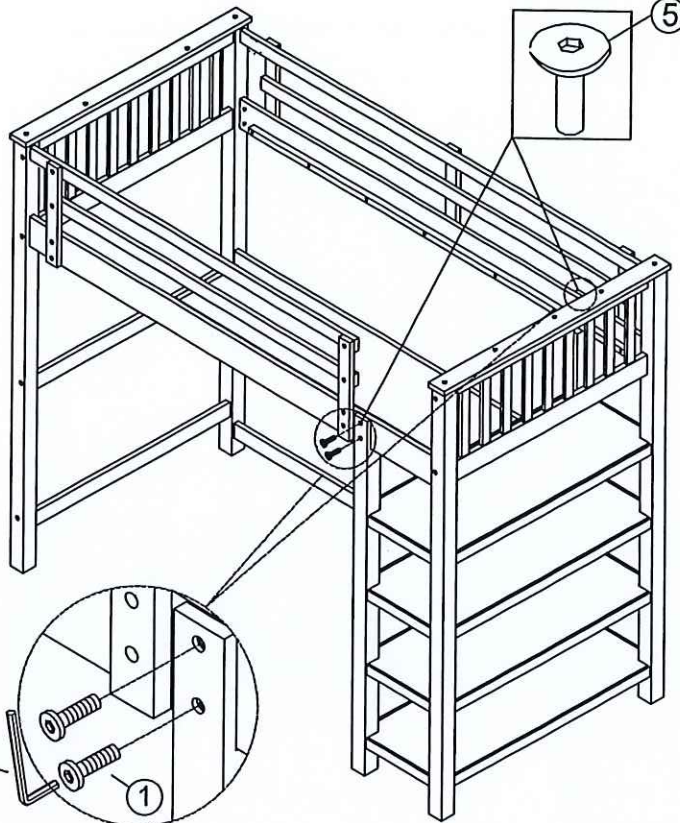


6X25mm - 4PCS



5

M13 x15-4pcs

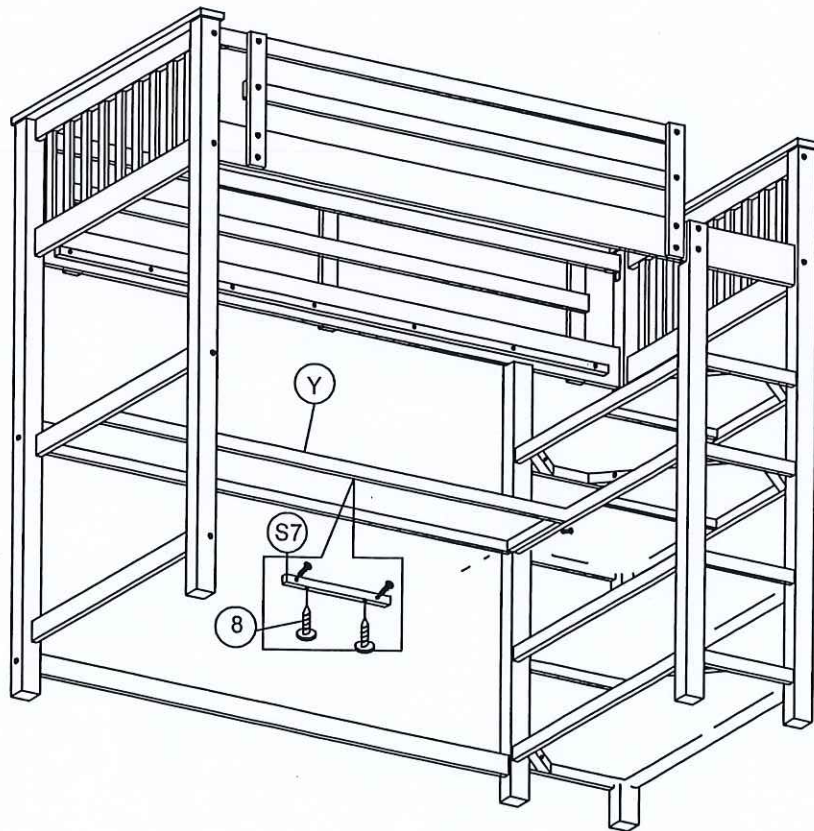
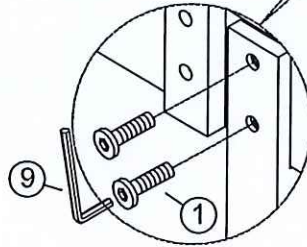


Step 10

8



4X30mm - 4PCS





Step 11

Step 12

