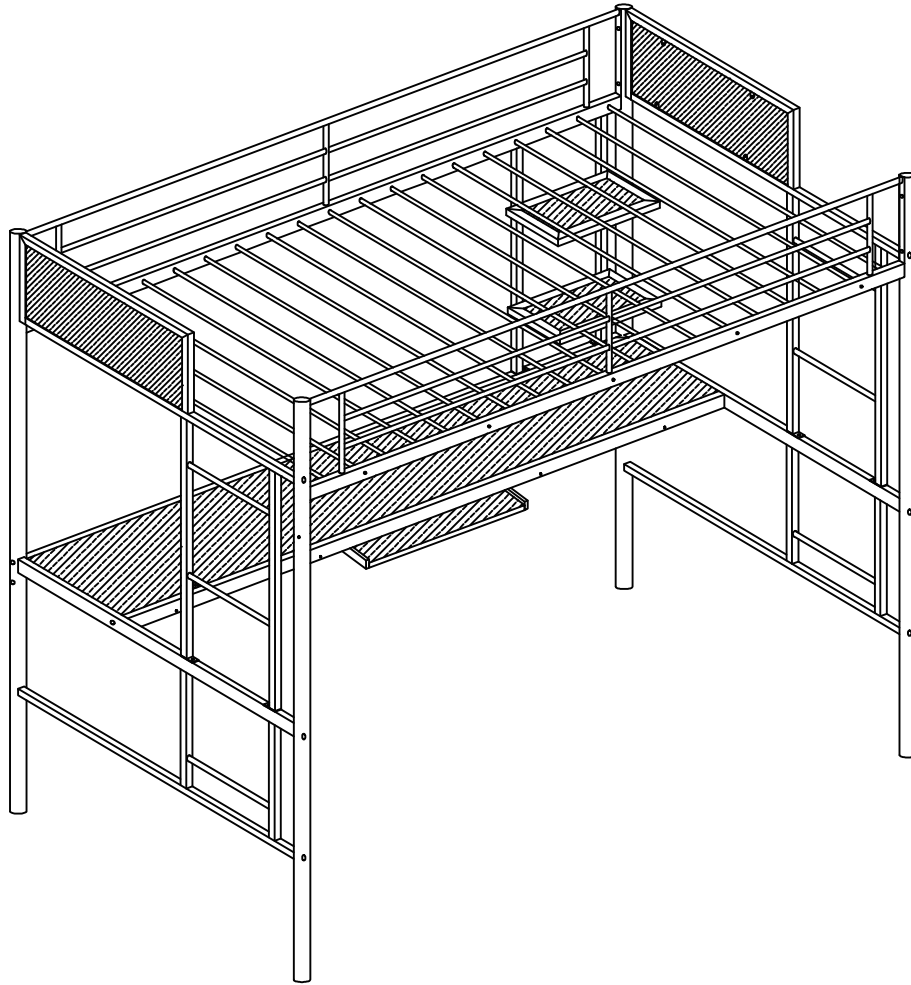


ASSEMBLY INSTRUCTION


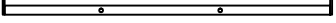

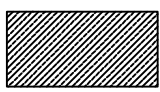
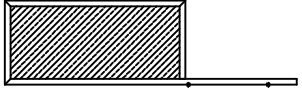
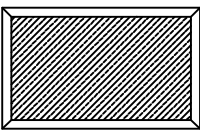
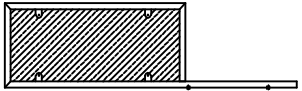
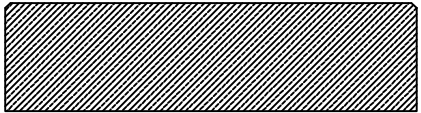
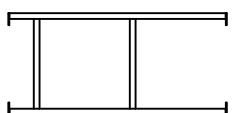
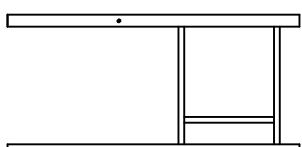
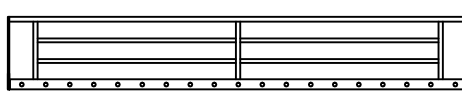
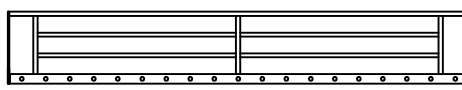
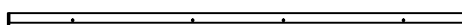
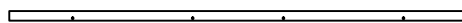
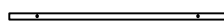


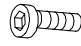
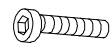
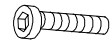
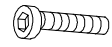
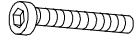




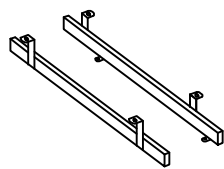



WF196604



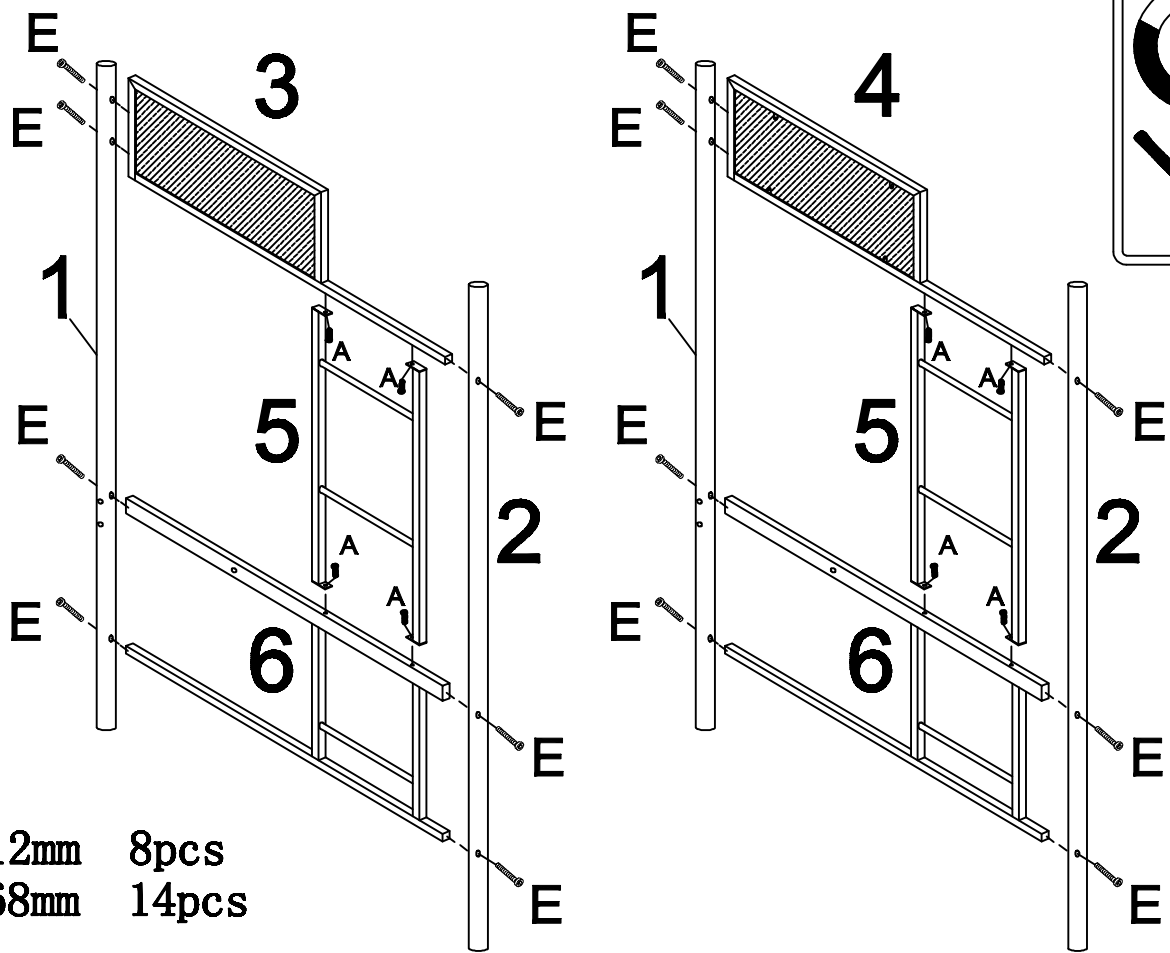
PLEASE DO NOT RETURN PRODUCT TO THE STORE.
If you have any problem or concerns, please
feel free to contact our customer
service department. We will reply you as soon as possible.



E-Mail: wmcsr@comptree.net
Tel: 626-912-8886 Ext. 100

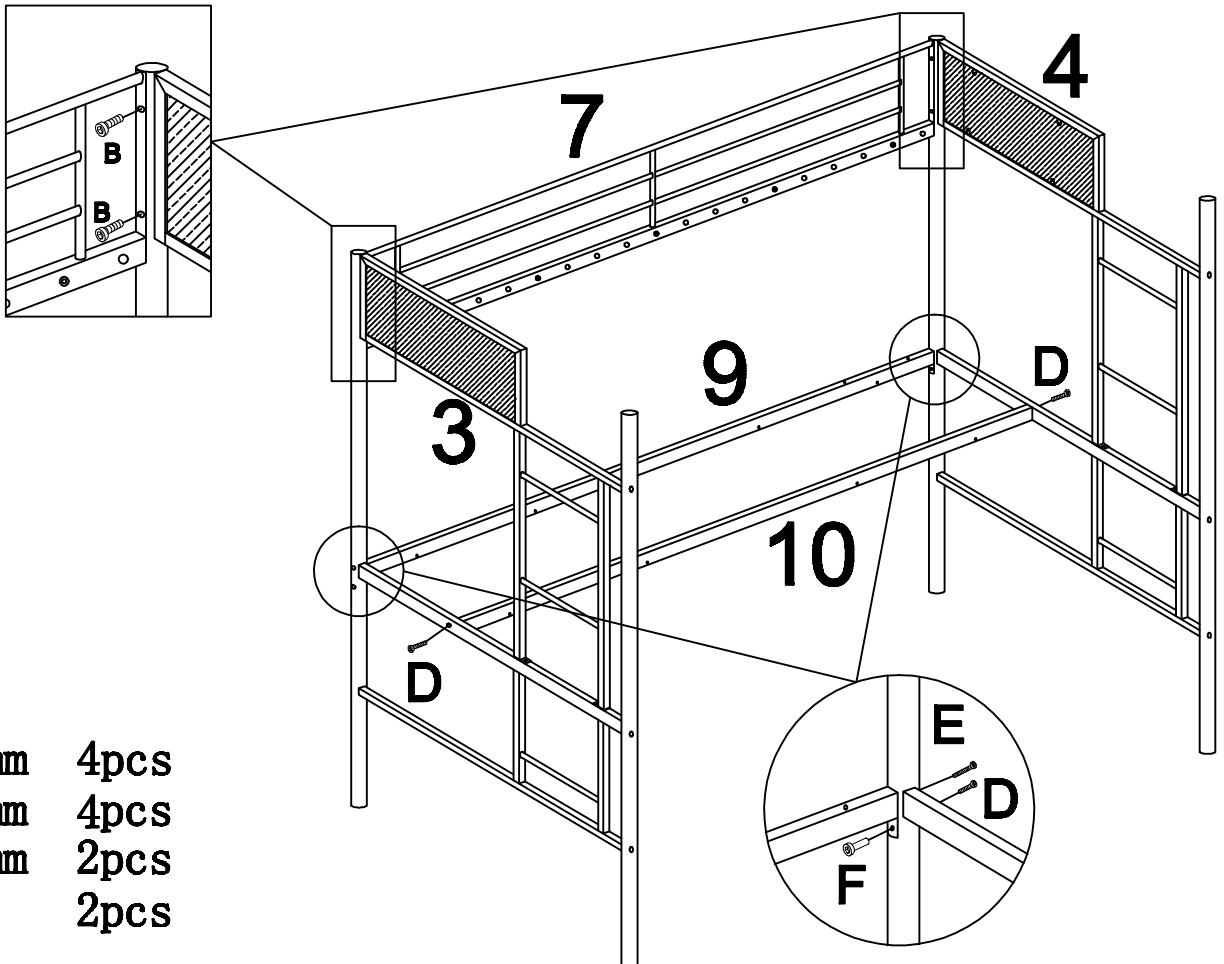
	1x2pcs		14x2pcs
	2x2pcs		15x1pc
	3x1pc		16x2pcs
	4x1pc		17x1pc
	5x2pcs		
	6x2pcs		
	7x1pc		
	8x1pc		
	9x1pc		
	10x1pc		
	11x4pcs		
	12x14pcs		
	13x5pcs		
		A	 M6X12mm 16pcs
		B	 M6X20mm 18pcs
		C	 M6X35mm 4pcs
		D	 M6X45mm 12pcs
		E	 M6X68mm 16pcs
		F	 M6 2pcs
		G	 4pcs
		H	 10pcs
		I	 2pcs
		J	 1pc
		K	 2PCS
		L	 2PCS
		M	 2PCS

1



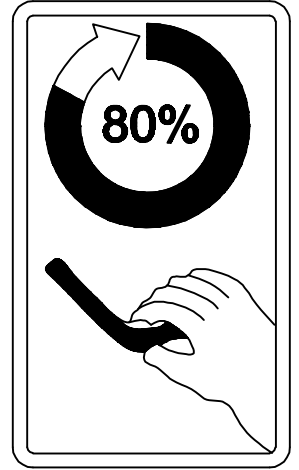
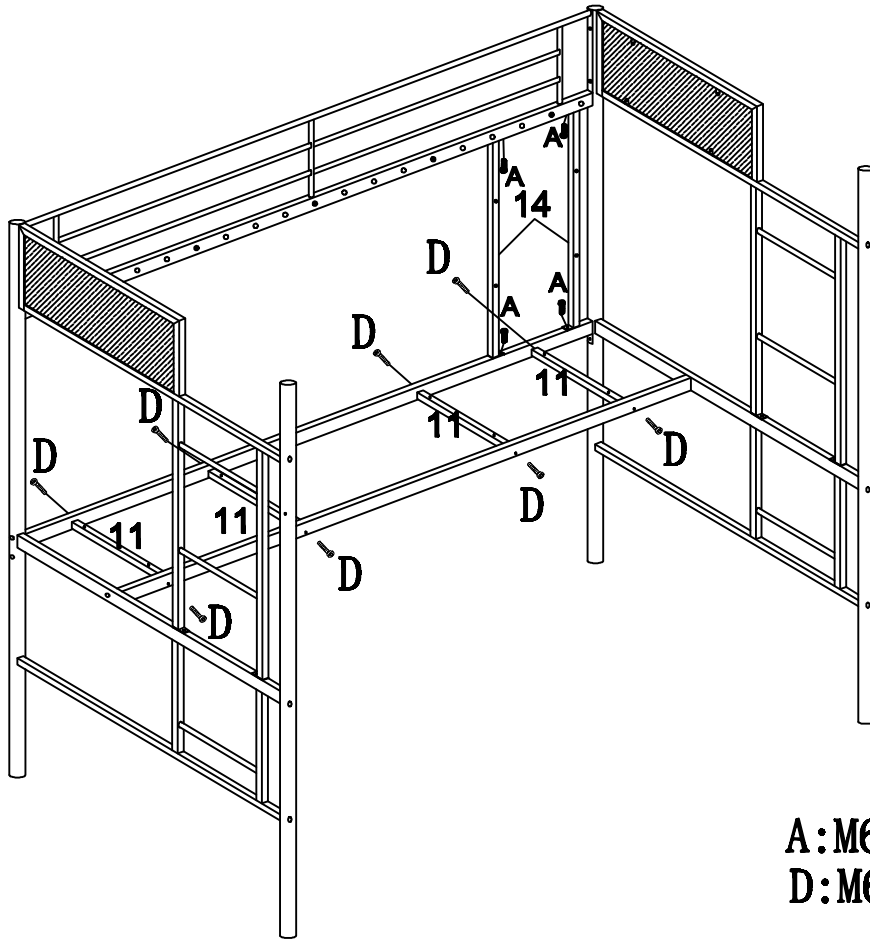
A: M6*12mm 8pcs
 E: M6*68mm 14pcs

2



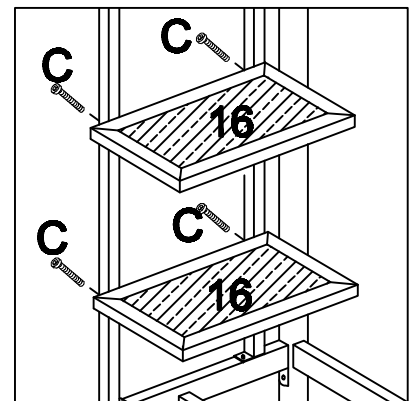
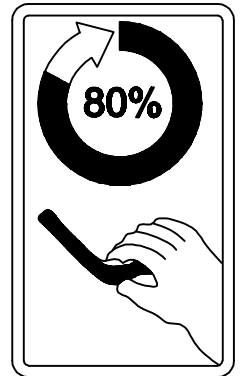
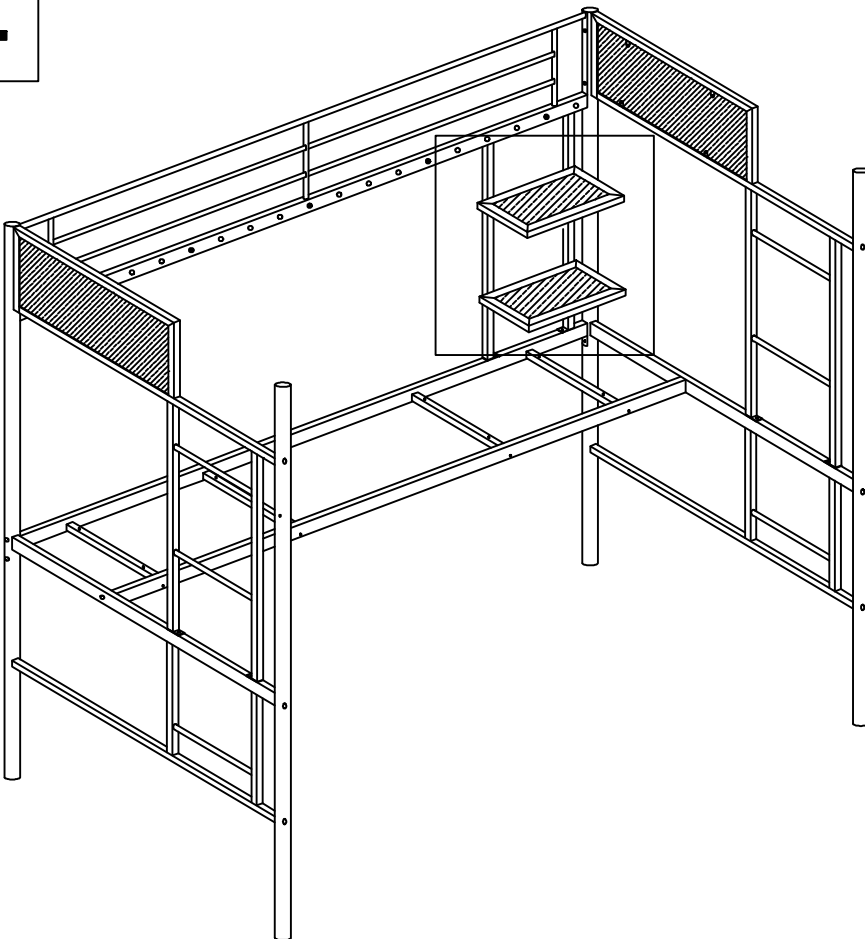
B: M6*20mm 4pcs
 D: M6*45mm 4pcs
 E: M6*68mm 2pcs
 F: M6 2pcs

3



A: M6*12mm 4pcs
D: M6*45mm 8pcs

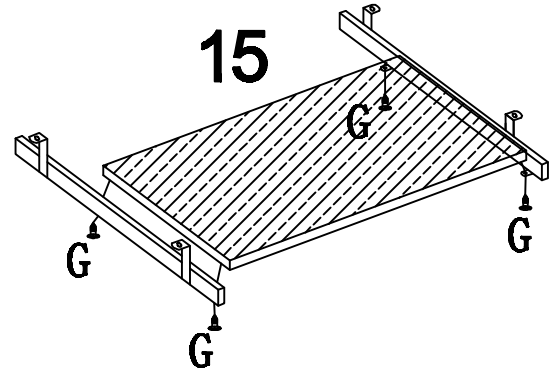
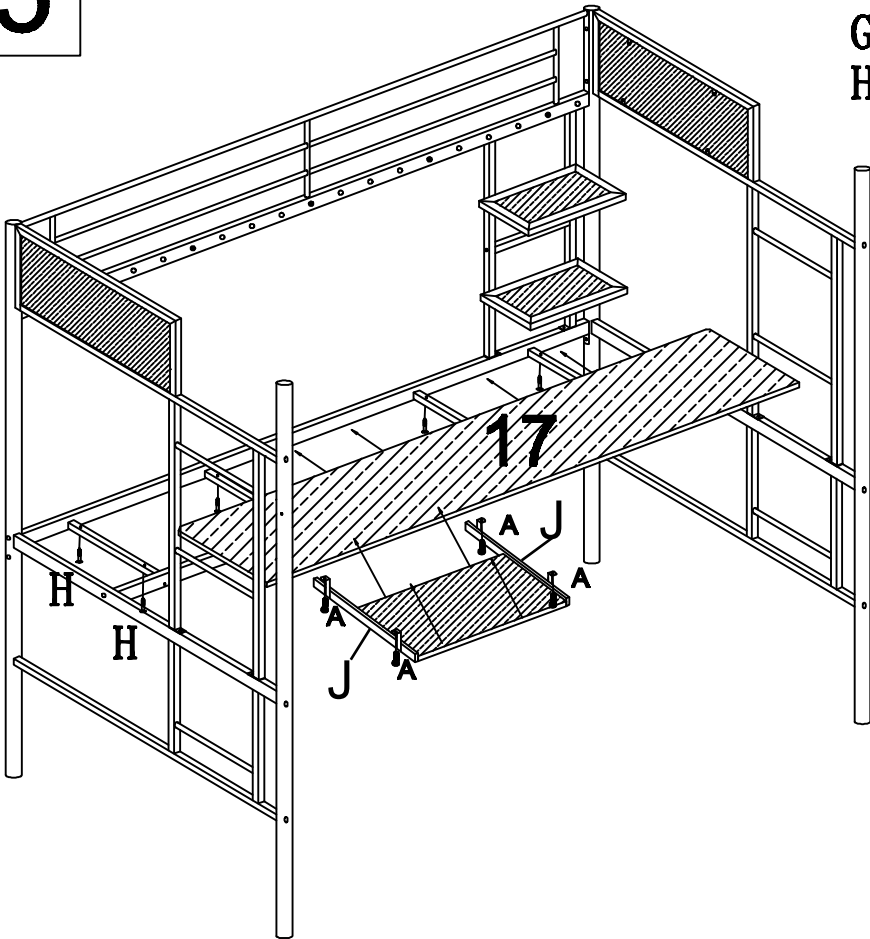
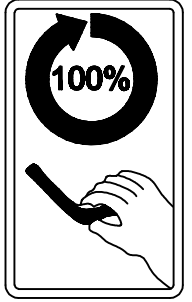
4



C: M6*35mm 4pcs

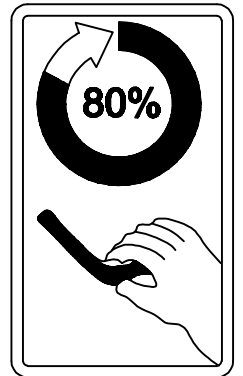
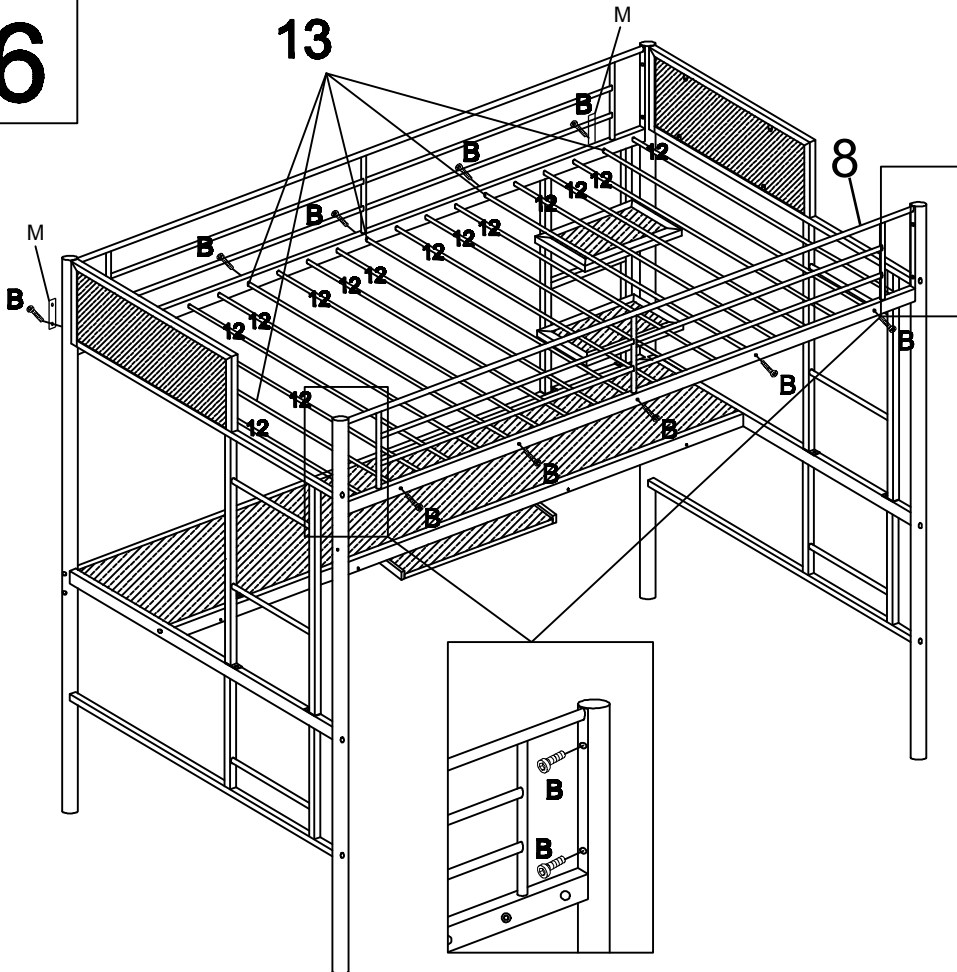
5

A: M6*12mm 4pcs
G: 4pcs
H: 8pcs



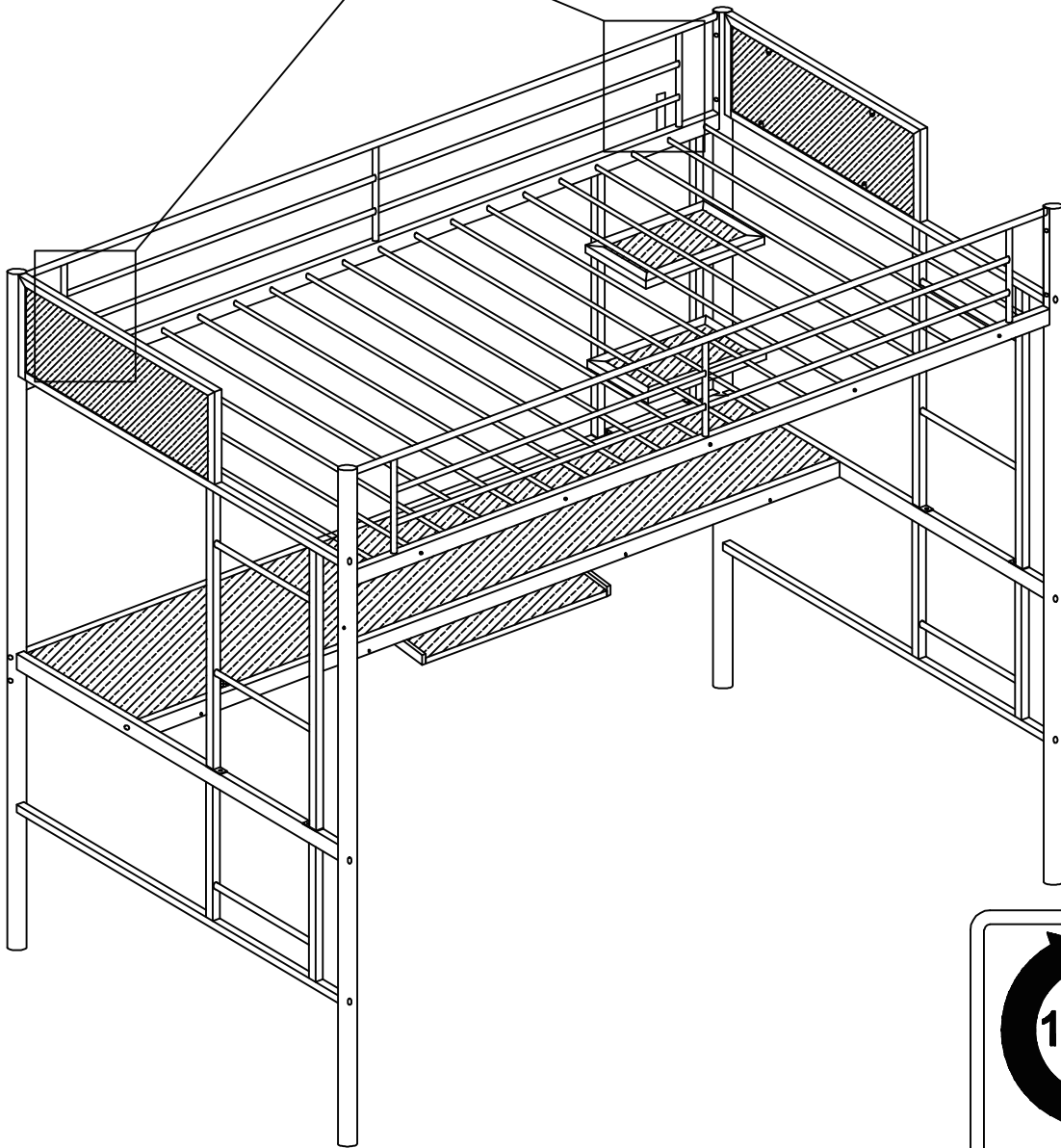
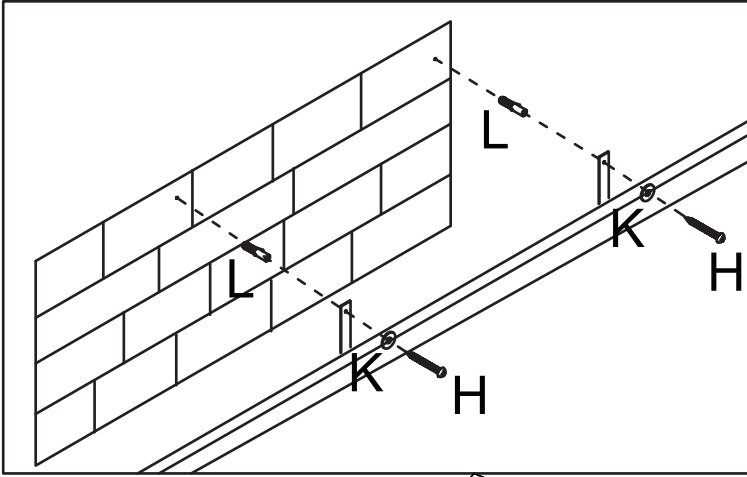
Need to drill the holes

6



B: M6*20mm 14pcs

7 The board should be aligned with the end of the slide



- L 2pcs
- K 2pcs
- H 4x30mm 2pcs

