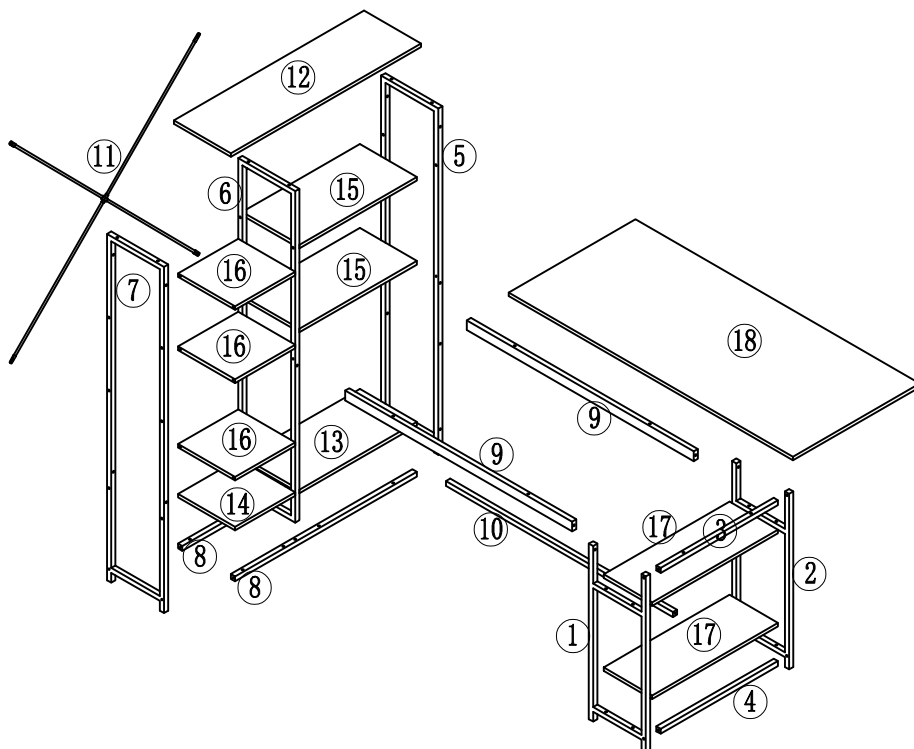
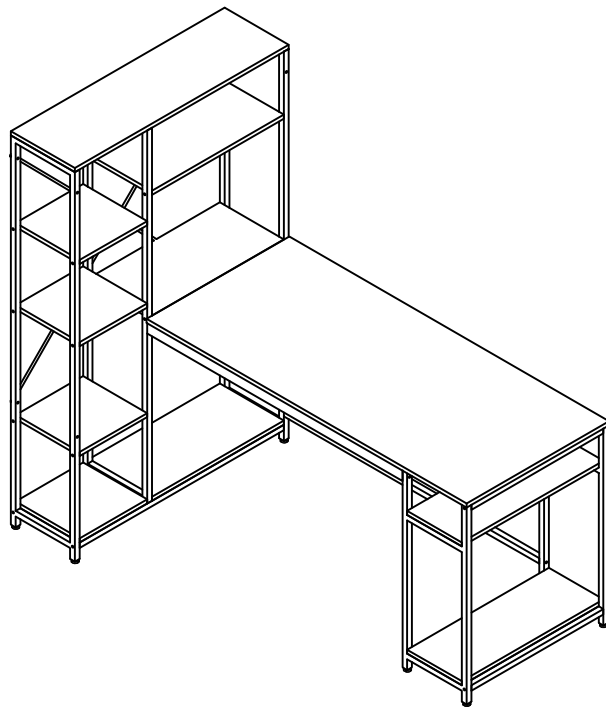

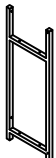
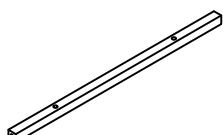

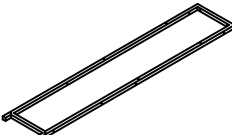
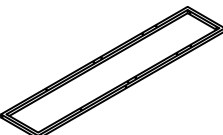
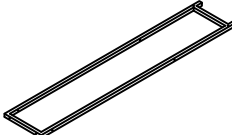
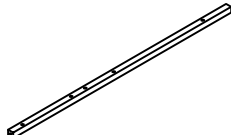
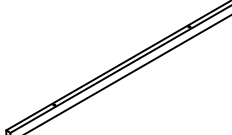
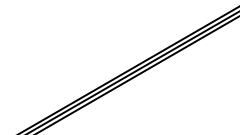
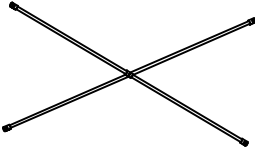
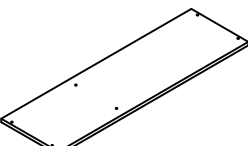
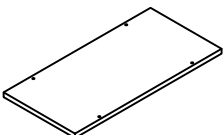
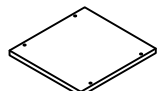
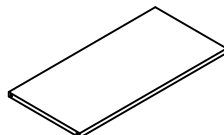
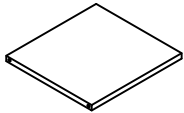
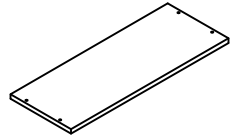
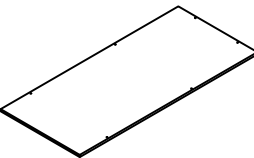


ASSEMBLY INSTRUCTIONS





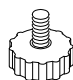


SKU: WF198285AAB

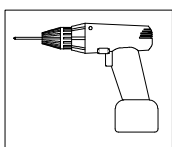


Part List

				
① x1Pc	② x1Pc	③ x1Pc	④ x1Pc	⑤ x1Pc
				
⑥ x1Pc	⑦ x1Pc	⑧ x2Pcs	⑨ x2Pcs	⑩ x1Pc
				
⑪ x1Pc	⑫ x1Pc	⑬ x1Pc	⑭ x1Pc	⑮ x2Pcs
				
⑯ x3Pcs	⑰ x2Pcs	⑱ x1Pc		

Hardware List

					
M6x50	M6x35	M6x30	M6x25	M6	
Ax4Pcs	Bx16Pcs	Cx44Pcs	Dx4Pcs	Ex8Pcs	Fx4Pcs
					
Gx1Pc					



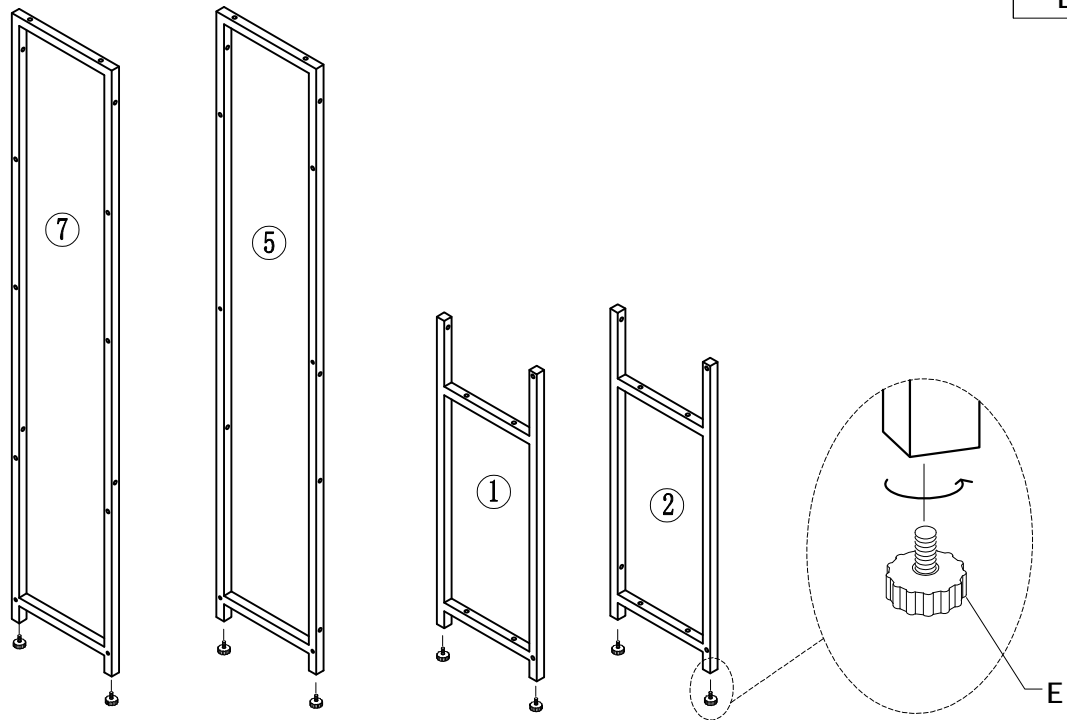
PLEASE BE CAREFUL. DO NOT DAMAGE THE HOLE POSITION WHEN YOU USE POWER TOOLS !

Step 1



M6

Ex8Pcs



Step 2

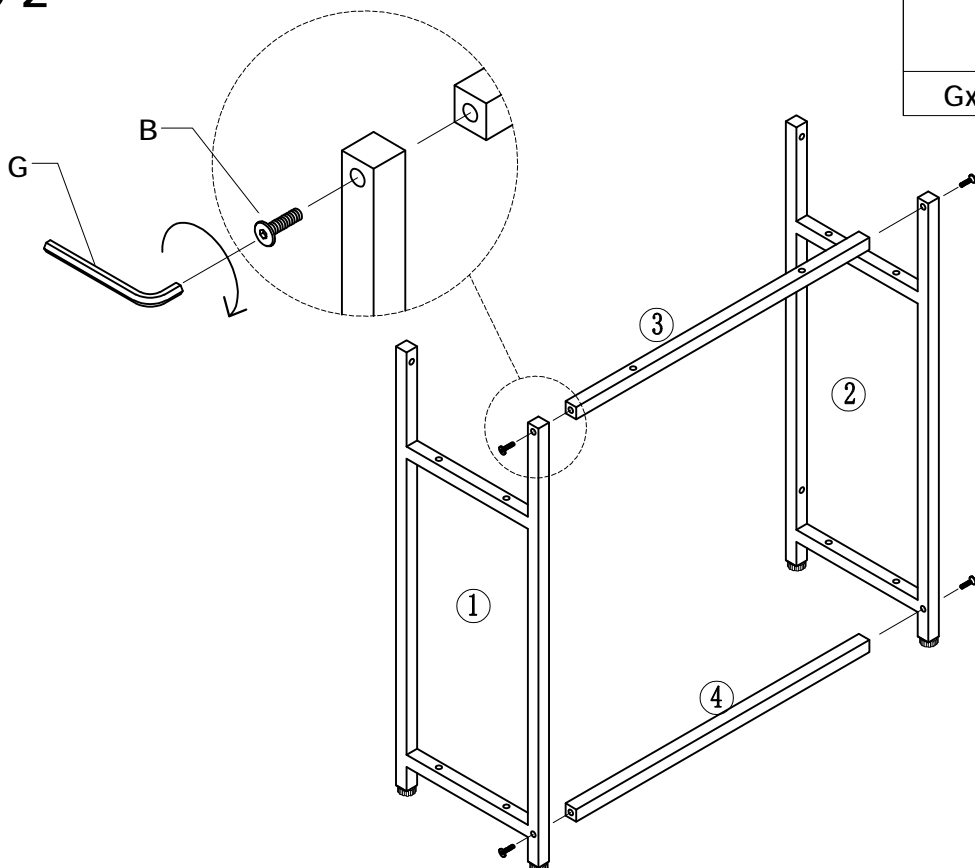


Gx1Pc

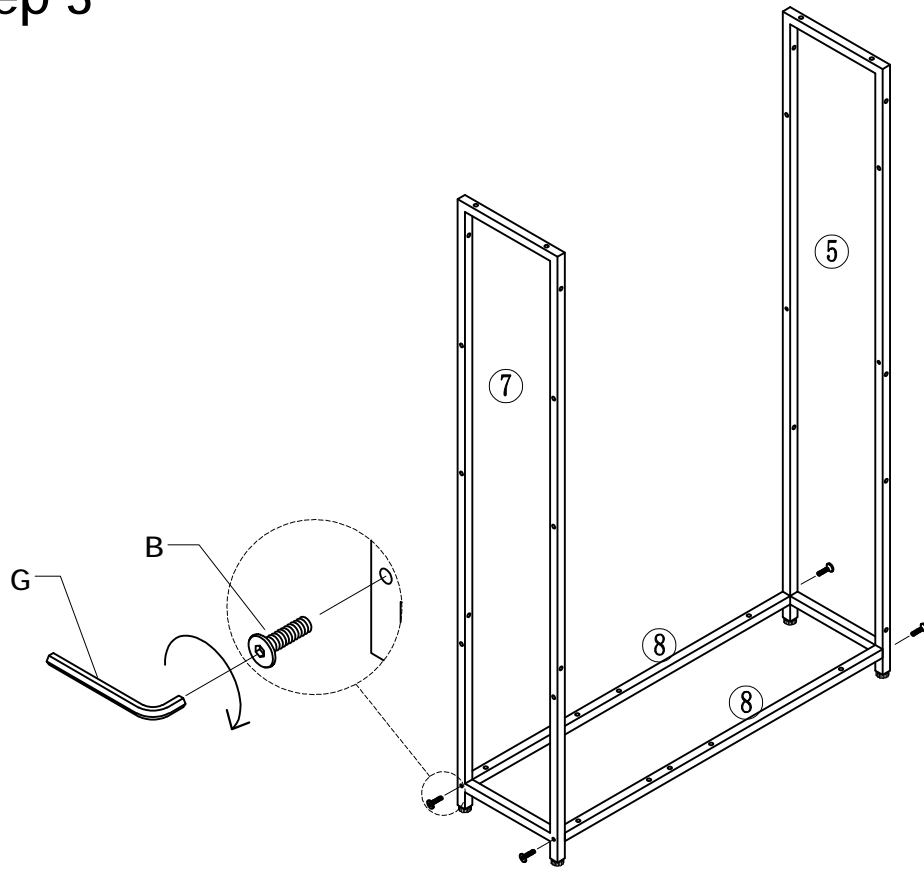


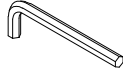

M6x35

Bx4Pcs

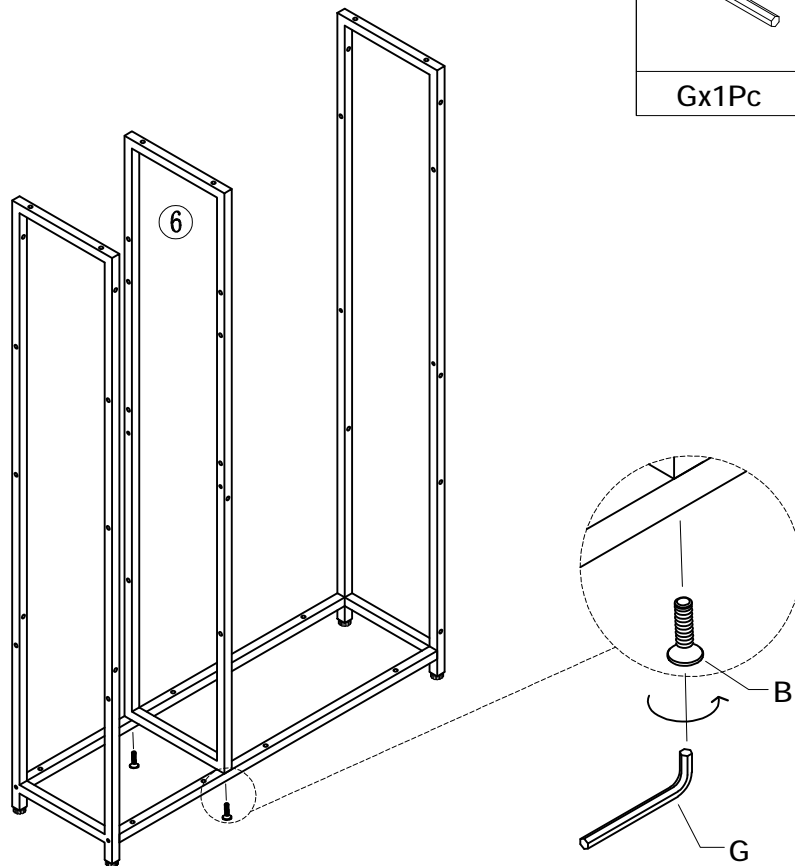




Step 3



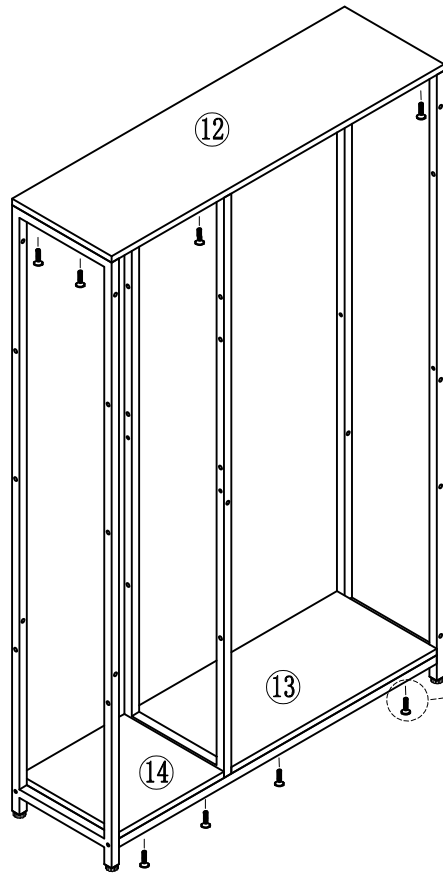
	
Gx1Pc	M6x35 Bx4Pcs



Step 4

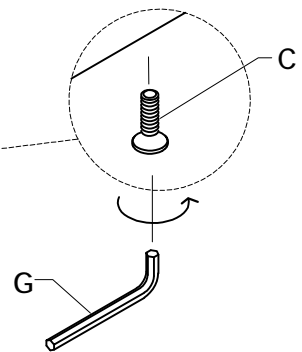


	
Gx1Pc	M6x35 Bx2Pcs

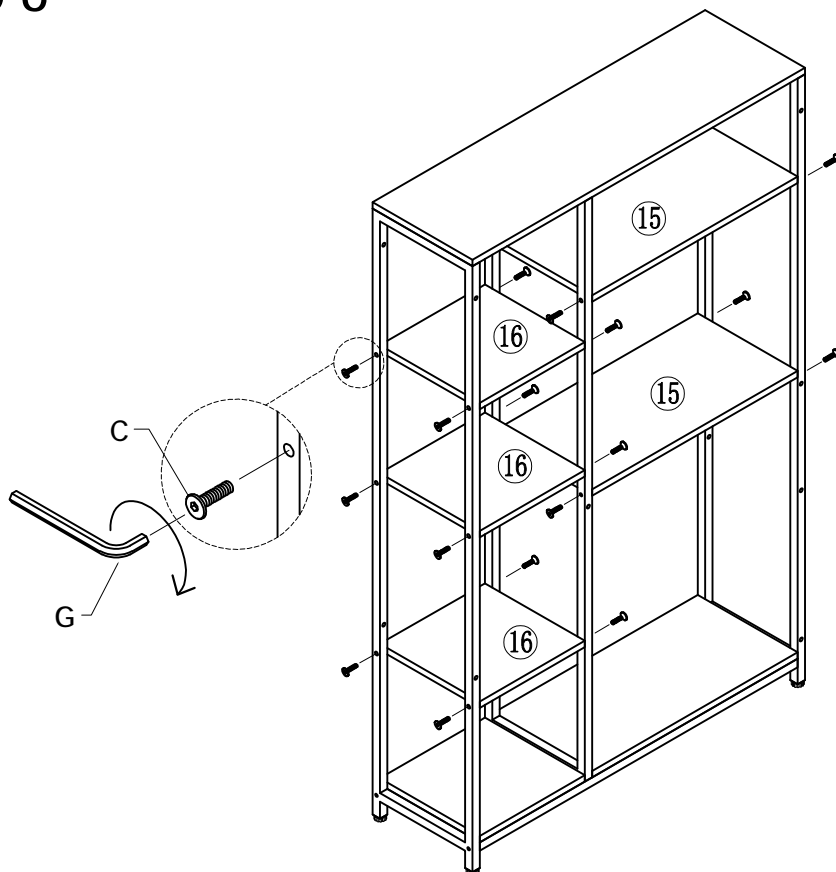
Step 5

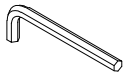



	
Gx1Pc	M6x30 Cx14Pcs





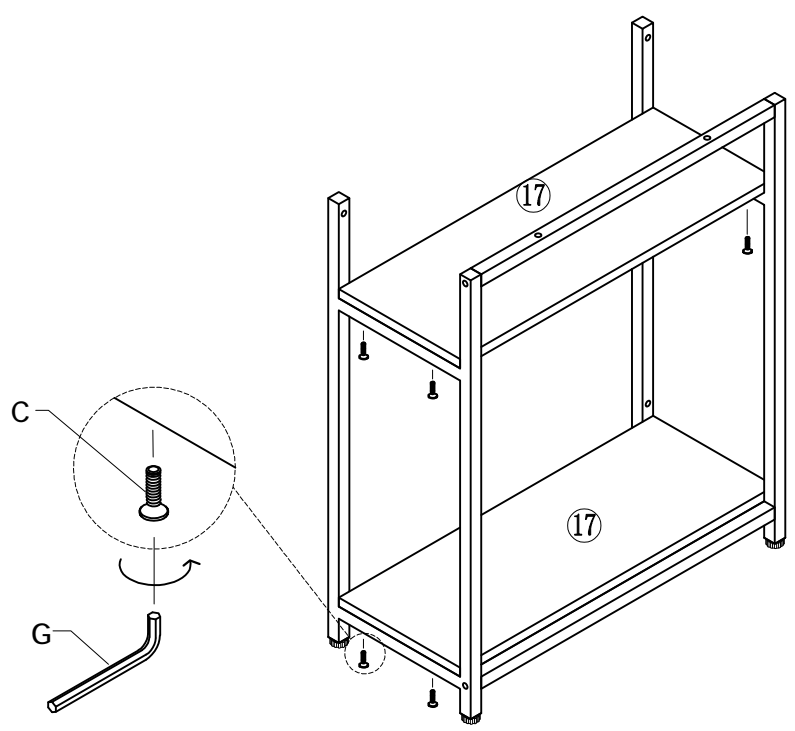
Step 6



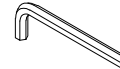

	
Gx1Pc	M6x30 Cx20Pcs

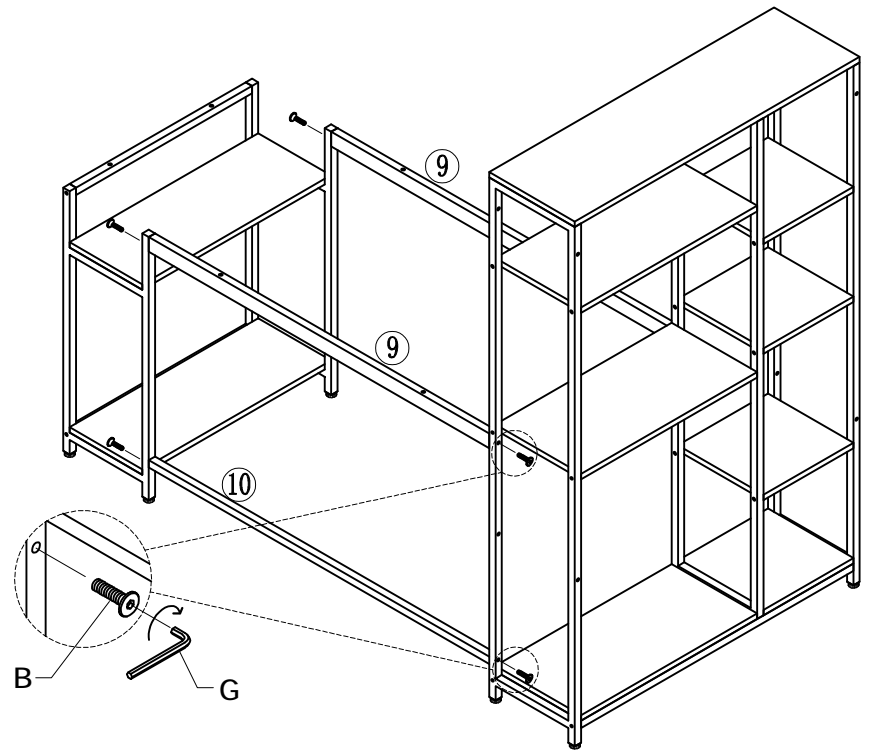
Step 7

	
Gx1Pc	M6x30 Cx8Pcs

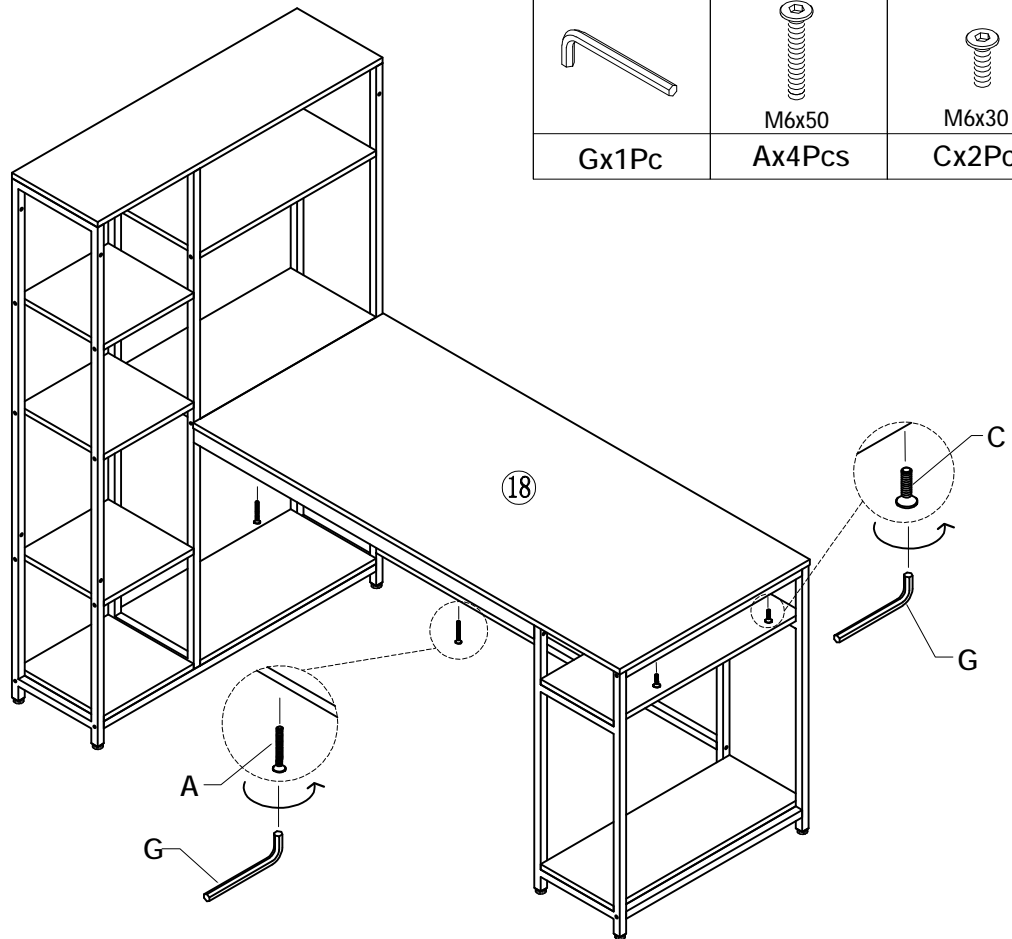


Step 8

	
Gx1Pc	M6x35 Bx6Pcs



Step 9



Step 10

