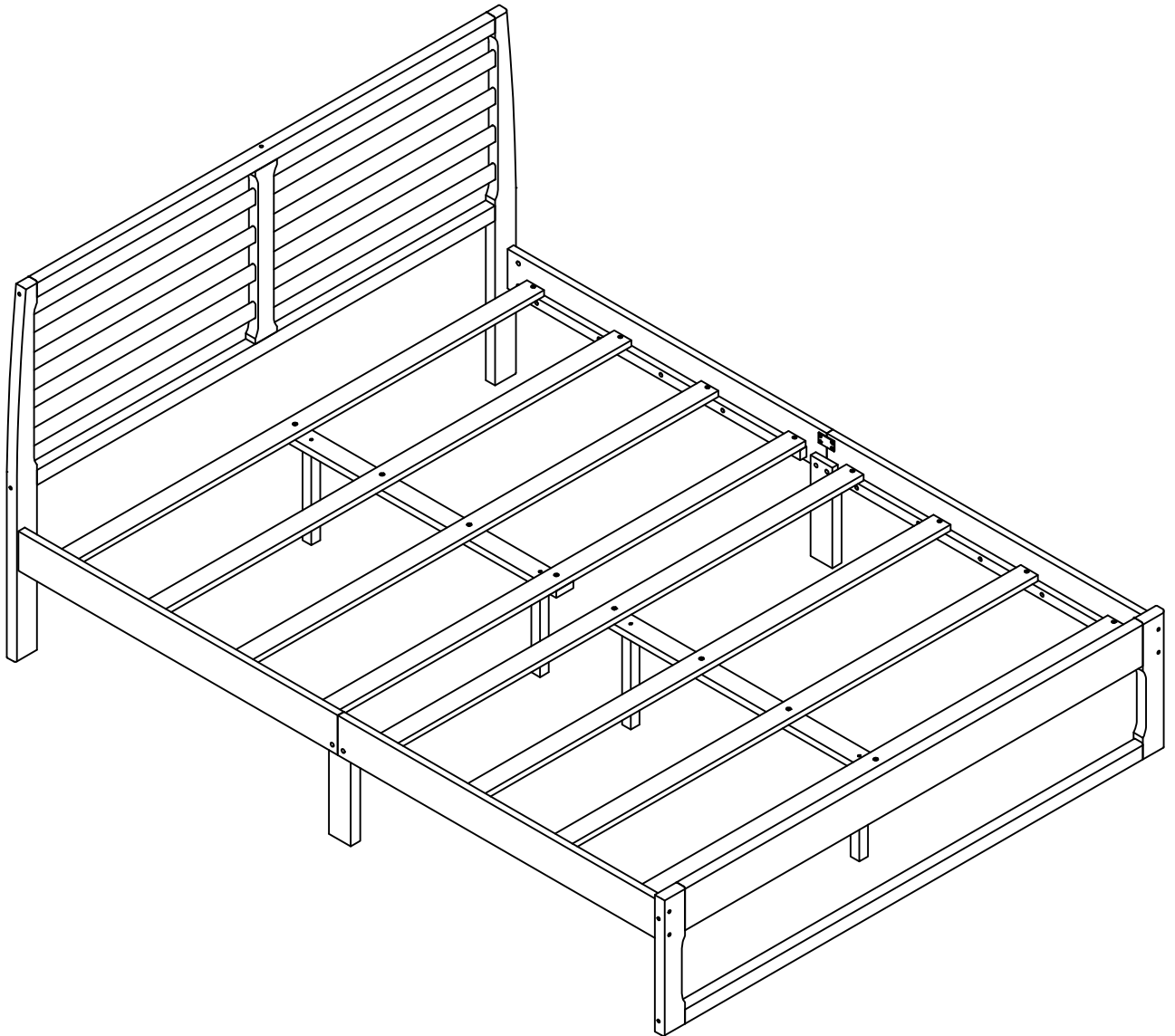


ASSEMBLY INSTRUCTIONS

FULL BED
QUEEN BED



PLEASE DO NOT RETURN PRODUCT TO THE STORE.

If you have any problem or concerns, please feel free to contact our customer service department. We will reply you as soon as possible.

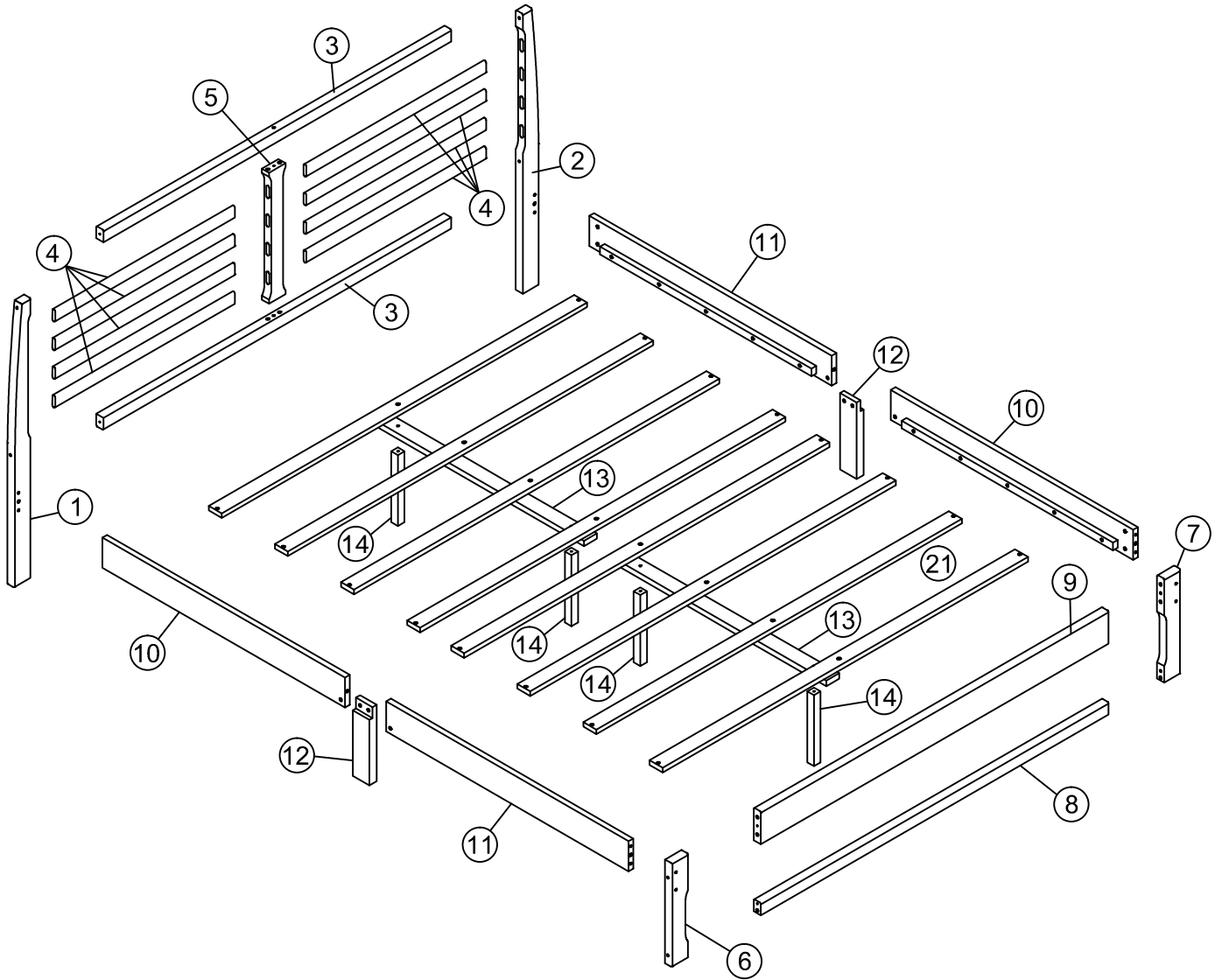
E-Mail: wmcsr@comptree.net

Tel: 626-912-8886 Ext.100

WF198553

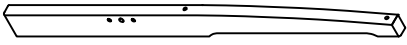
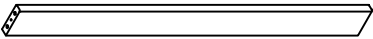


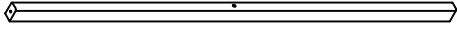
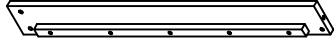
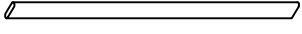
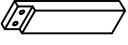

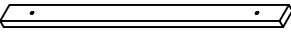
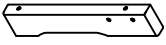
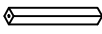
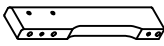
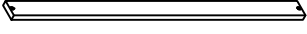
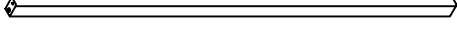
WF198554

ASSEMBLY INSTRUCTIONS






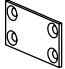







ASSEMBLY INSTRUCTIONS

PARTS LIST WF198553/WF198554

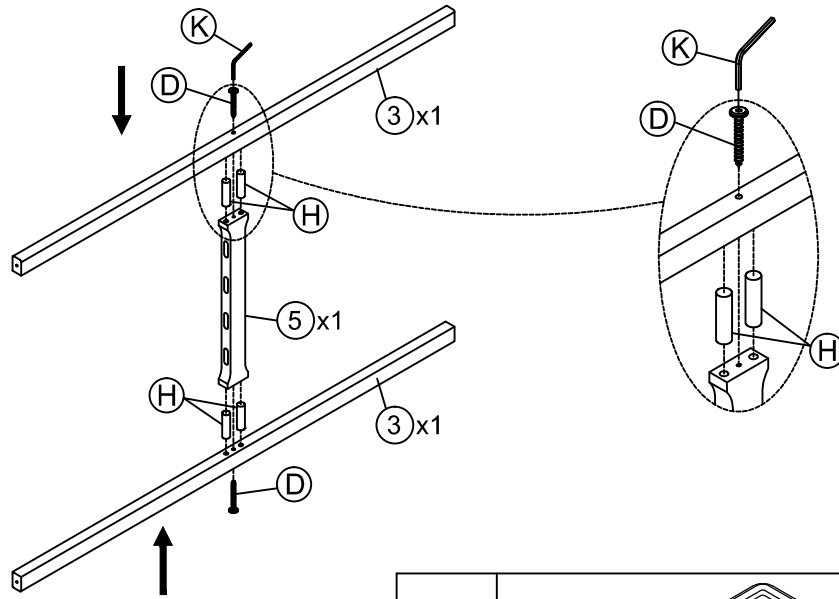
1		1pc	9		1pc
2		1pc	10		2pcs
3		2pcs	11		2pcs
4		8pcs	12		2pcs
5		1pc	13		2pcs
6		1pc	14		4pcs
7		1pc	21		8pcs
8		1pc			



HARDWARE LIST WF198553/WF198554


A	Ø4x30		24PCS	G	1/4x30		4PCS
B	Ø4x15		8PCS	H	Ø10x40		16PCS
C	6.5x110		6PCS	I	50x28x2		2PCS
D	6.5x90		4PCS	J	1/4x25		6PCS
E	6.5x50		4PCS	K	4x58		1PC
F	1/4x75		8PCS				

ASSEMBLY INSTRUCTIONS

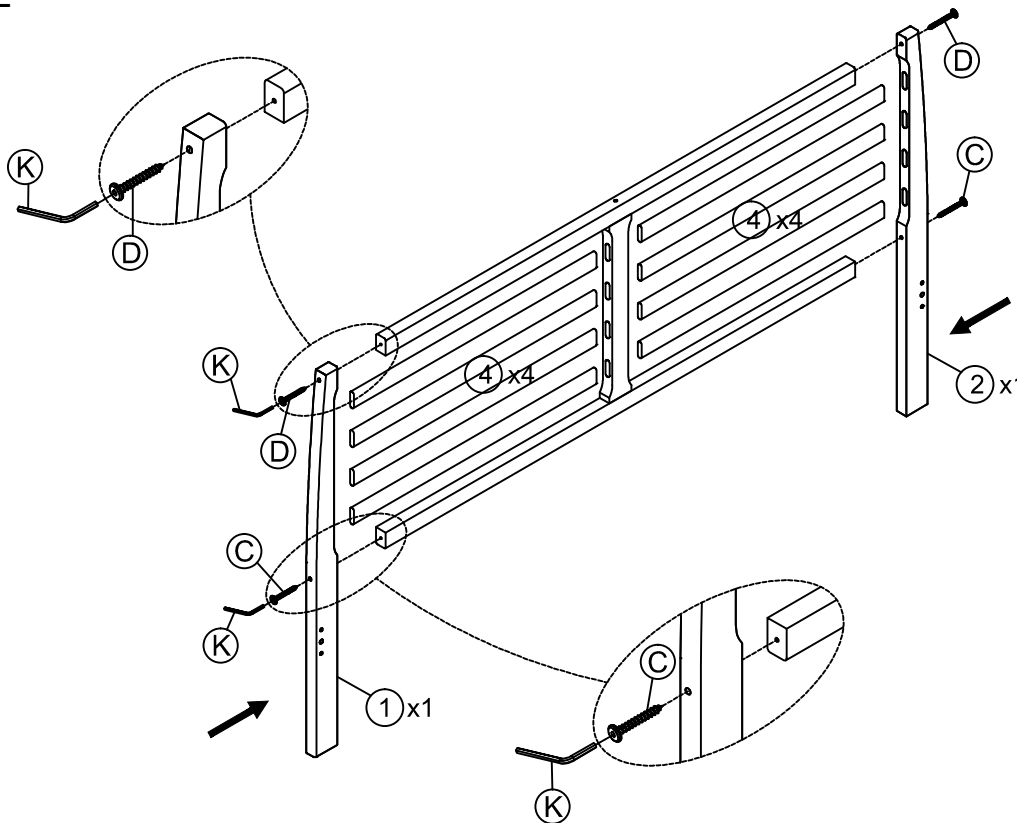
Step 1






K	4x58		1PC
D	6.5x90		2PCS

H	Ø10x40		4PCS
----------	--------	---	------

Step 2

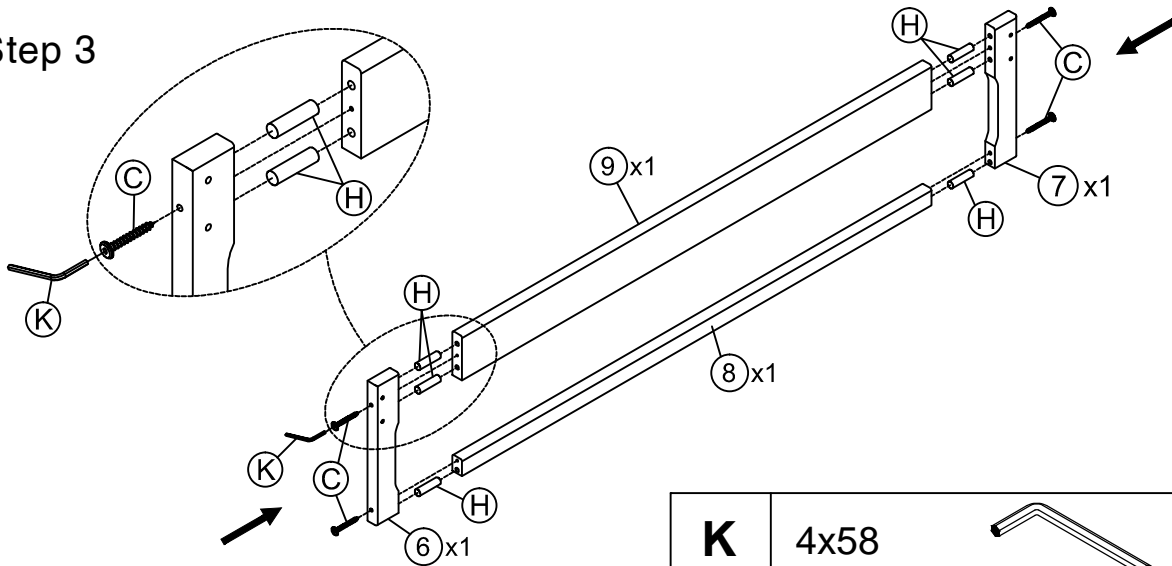




K	4x58		1PC
C	6.5x110		2PCS

D	6.5x90		2PCS
----------	--------	---	------

ASSEMBLY INSTRUCTIONS

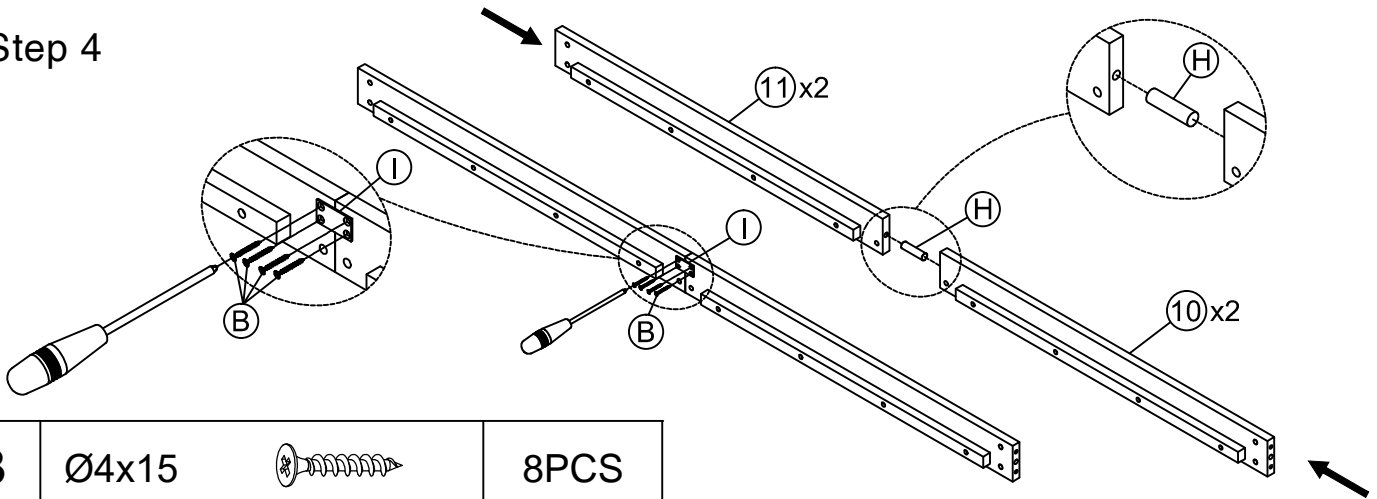
Step 3





K	4x58		1PC
C	6.5x110		4PCS

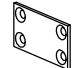
H	Ø10x40		6PCS
----------	--------	---	------

Step 4

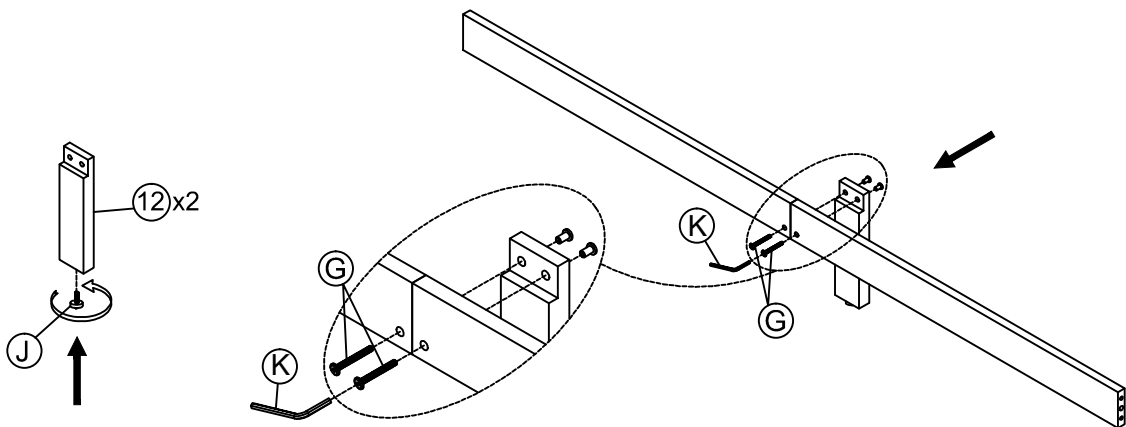


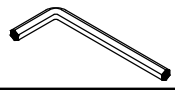

H	Ø10x40		2PCS
----------	--------	---	------


B	Ø4x15		8PCS
----------	-------	---	------

I	50x28x2		2PCS
----------	---------	---	------

Step 5

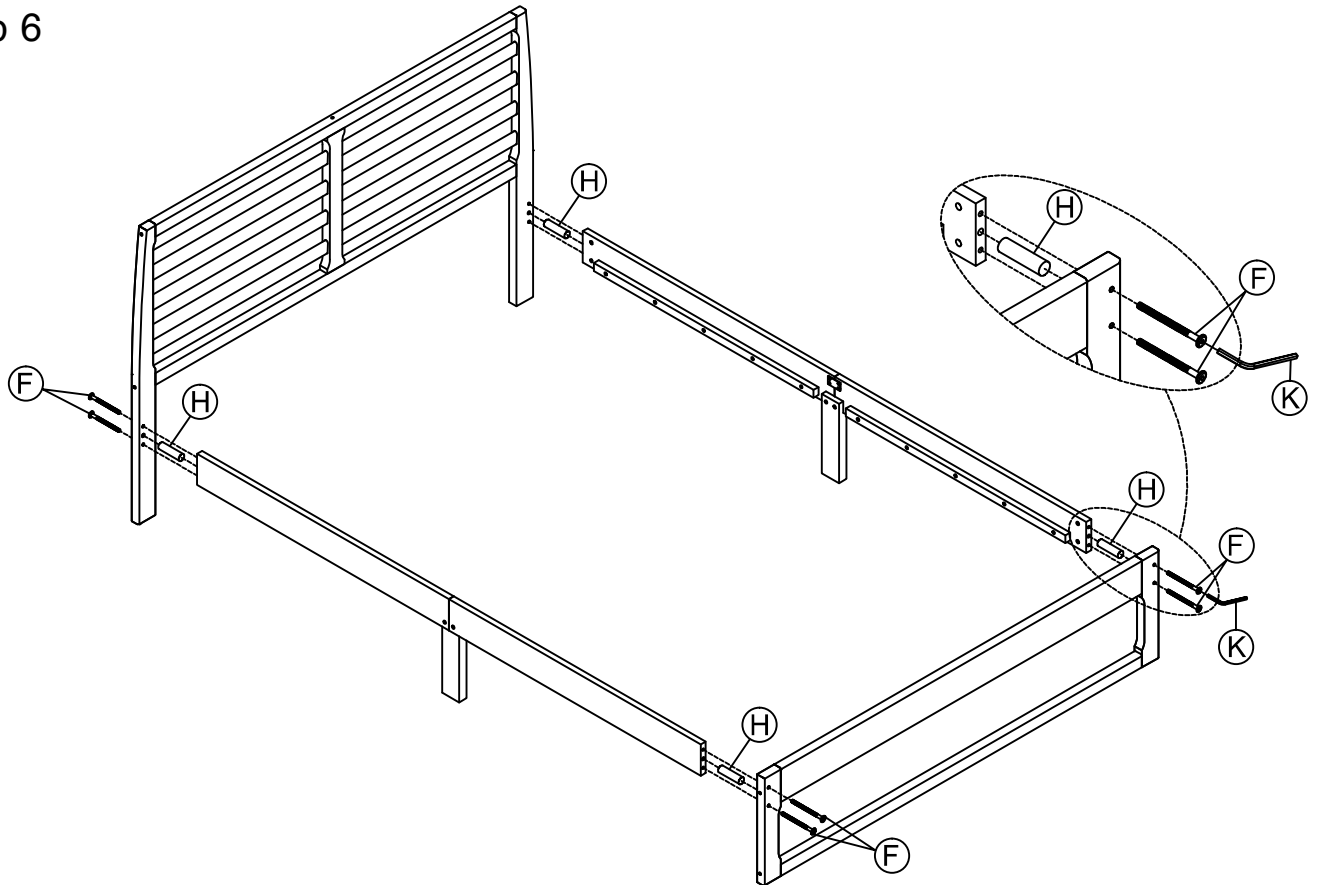





K	4x58		1PC
G	1/4x30		4PCS

J	1/4x25		2PCS
----------	--------	---	------

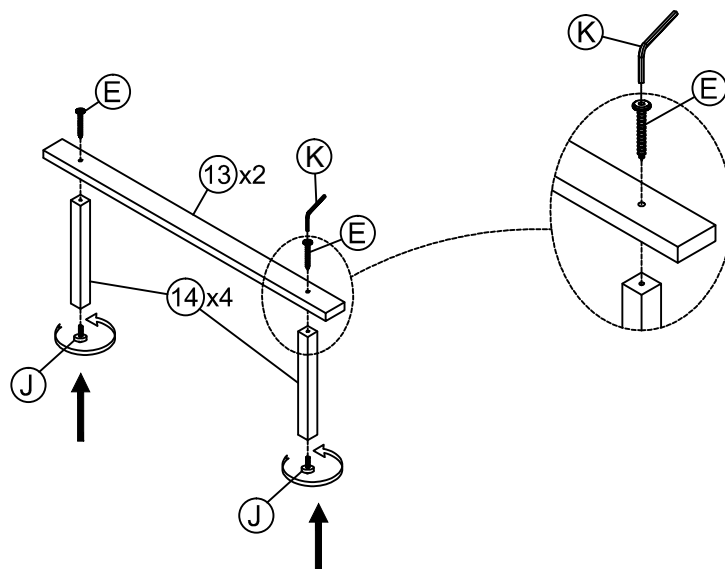
ASSEMBLY INSTRUCTIONS




Step 6



K	4x58		1PC				
F	1/4x75		8PCS	H	Ø10x40		4PCS

Step 7

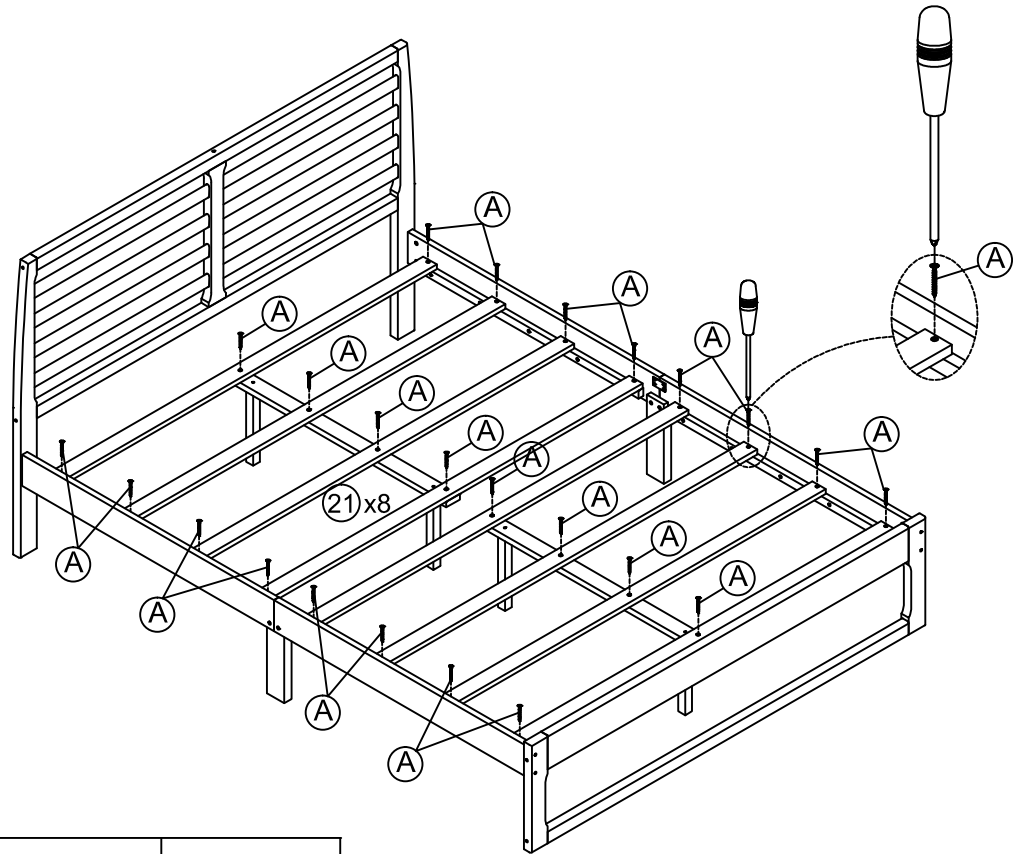


K	4x58		1PC				
E	6.5x50		4PCS	J	1/4x25		4PCS

ASSEMBLY INSTRUCTIONS

Step 8

First attach 2pcs part 21 to the front and end of the frame between headboard. Then attach the remaining part 21 equidistantly between headboard



A

Ø4x30



24PCS

