

ASSEMBLY INSTRUCTION

SKU CODE: (WF195997-WF195998)

This set is included 2 boxes if don't receive full 2 boxes please contact our customer service team



1. Follow the information on the warning label appearing on the upper bunk end structure and on the carton... Do not remove warning label from bed.
2. Always use the recommended size mattress or mattress support, or both, to help prevent the likelihood of entrapment or falls.
3. Surface of mattress must be at least 5 inches below the upper edge of guard rails.
4. Do not allow children under 6 years to use the upper bunk.
5. Prohibit more than one person on upper bunk.
6. Periodically check and ensure that the guardrail, ladder, and other components are in their proper position, free from damage, and that all connectors are tight.
7. Do not allow horseplay on or under the bed and prohibit jumping on the bed.
8. Always use the ladder for entering and leaving upper bunk.
9. Do not use substitute part. Contact the manufacturer or dealer for replacement part.
10. Use of night light may provide added safety precaution for a child using the upper bunk.
11. If the bunk bed will be placed next to a wall, the guardrail that runs the full length of the bed should be placed against the wall to prevent entrapment between the bed and the wall.
12. Always use guardrail on both long sides of the upper bunk.
13. The use of water or sleep flotation mattresses is prohibited.
14. Keep these instruction for future reference.
15. Strangulation Hazard - Never attach or hang items to any part of the bunk bed that are not designed for use with the bed, for example, but not limited to hooks, belts and jump rores.
16. Trundle : Only use for mattress 6 inch.

PLEASE DO NOT RETURN PRODUCT TO THE STORE

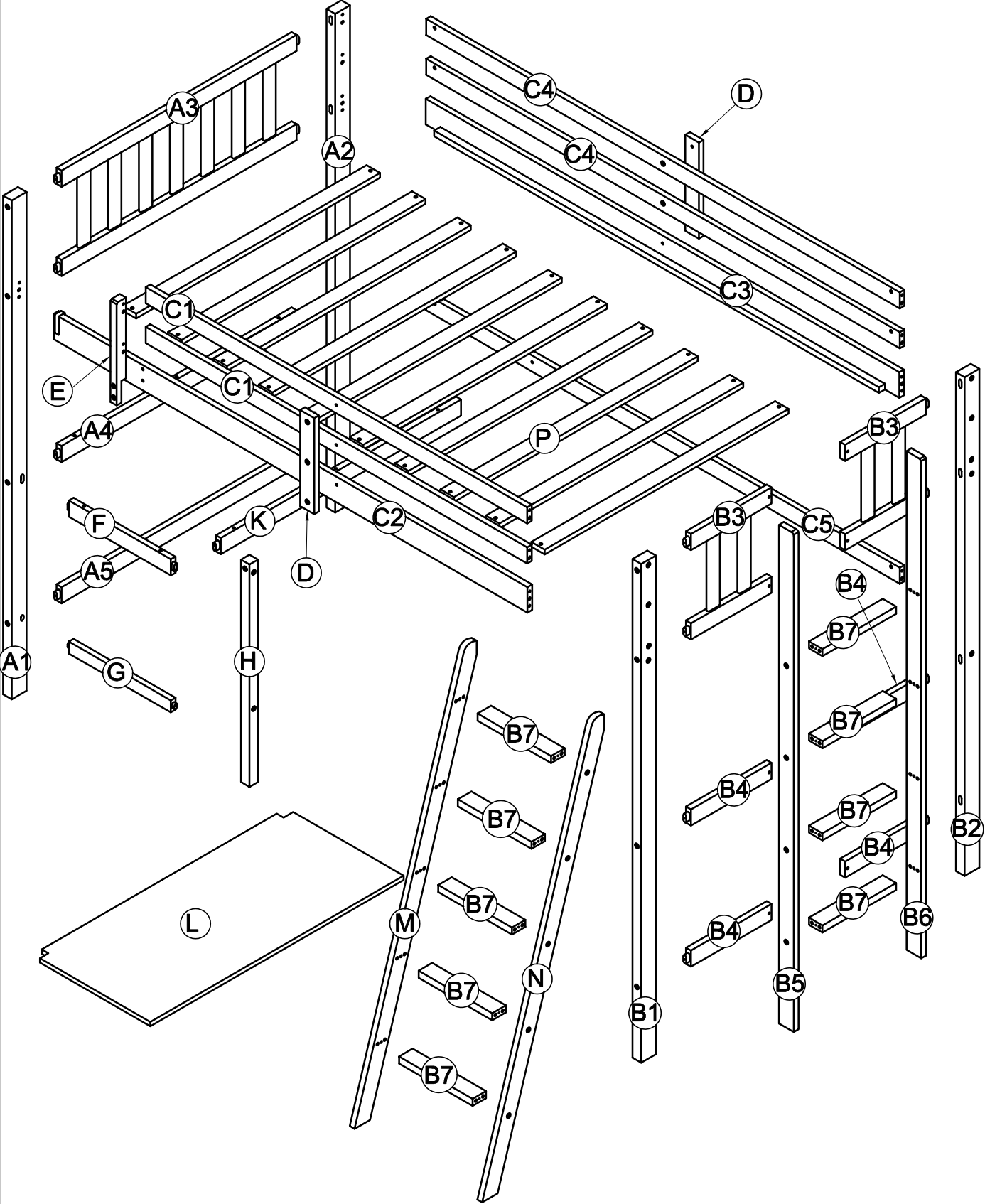
if you have any problem or concerns, please feel free to contact our customer service department. We will reply you as soon as possible.

01/17

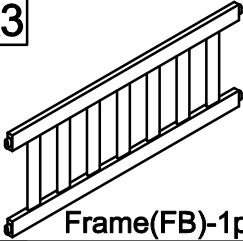
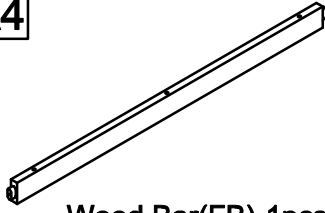
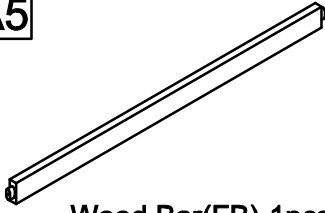
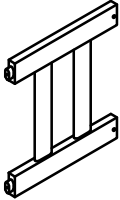
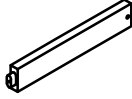
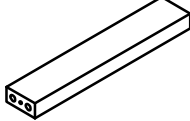


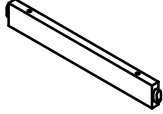


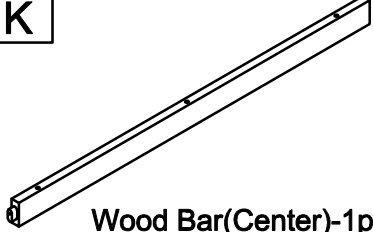
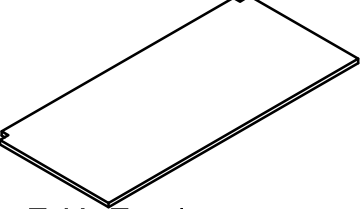
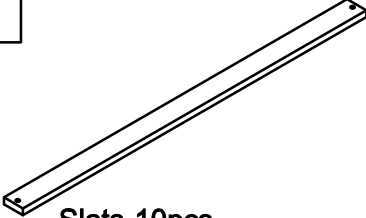


**E-Mail: wmcscr@comptree.net
Tel: 626-912-8886 Ext.100**







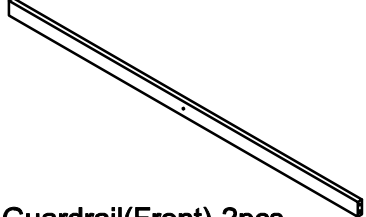
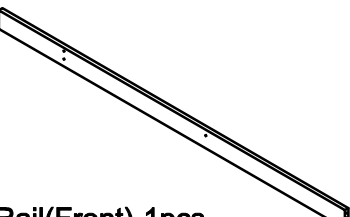
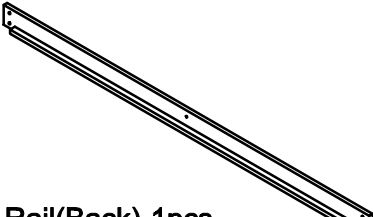
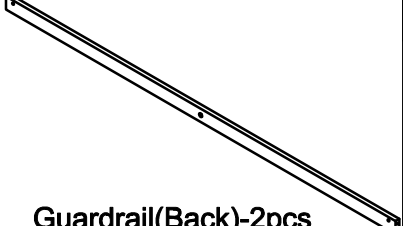
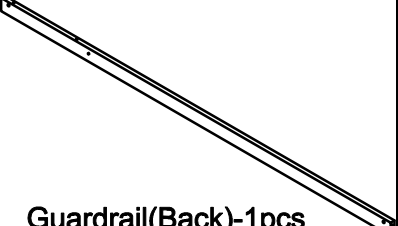


ASSEMBLY INSTRUCTION





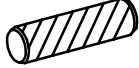
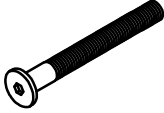


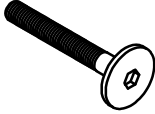

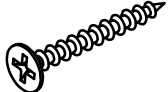



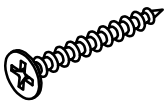


Part List(WF195997)

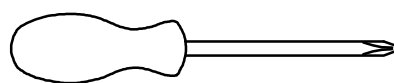
A3  Frame(FB)-1pcs	A4  Wood Bar(FB)-1pcs	A5  Wood Bar(FB)-1pcs
B3  Frame(HB)-2pcs	B4  Wood Bar(HB)-4pcs	B7  Stairs-9pcs
D  Rail-2pcs	E  Rail-1pcs	F  Wood Bar(Front)-1pcs
G  Wood Bar(Front)-1pcs	H  Leg(Center)-1pcs	K  Wood Bar(Center)-1pcs
L  Table Top-1pcs	P  Slats-10pcs	

Part List(WF195998)

A1  Leg(FB-Front)-1pcs	A2  Leg(FB-Back)-1pcs	B1  Leg(HB-Front)-1pcs
B2  Leg(HB-Front)-1pcs	B5  Stairs-1pcs	B6  Stairs-1pcs
C1  Guardrail(Front)-2pcs	C2  Rail(Front)-1pcs	C3  Rail(Back)-1pcs
C4  Guardrail(Back)-2pcs	C5  Guardrail(Back)-1pcs	M  Stairs-1pcs
N  Stairs-1pcs		

Hardware List

<p>1</p>  <p>Screws 1/4" x80 16pcs</p>	<p>2</p>  <p>Screws 1/4" x50 19pcs</p>	<p>3</p>  <p>Ø10 x 40 mm Wood dowel 50pcs</p>
<p>4</p>  <p>Ø1/4" x 35 mm Hex-Head bolts 8pcs</p>	<p>5</p>  <p>Ø1/4" x 80 mm Hex-Head bolts 16pcs</p>	<p>6</p>  <p>Ø1/4" x 13 mm Horizontal-Hole bolts 18pcs</p>
<p>7</p>  <p>Ø1/4" x 25 mm Hex-Head bolts 8pcs</p>	<p>8</p>  <p>Ø1/4" x 15 mm Canopy head though - 8pcs</p>	<p>9</p>  <p>M4 x 30 mm Wood Screws 20pcs</p>
<p>10</p>  <p>Screws 1/4" x70 5pcs</p>	<p>11</p>  <p>Ø1/4" x 60 mm (Head 13) -10pcs</p>	<p>12</p>  <p>Bracket 2pcs</p>
<p>13</p>  <p>M4 x 20 mm Wood Screws 6pcs</p>	<p>14</p>  <p>Allen Key 1pc</p>	<p>5.1</p>  <p>Ø1/4" x 70 mm Hex-Head bolts 2pcs</p>



Assembly Tools Required (Not Included)

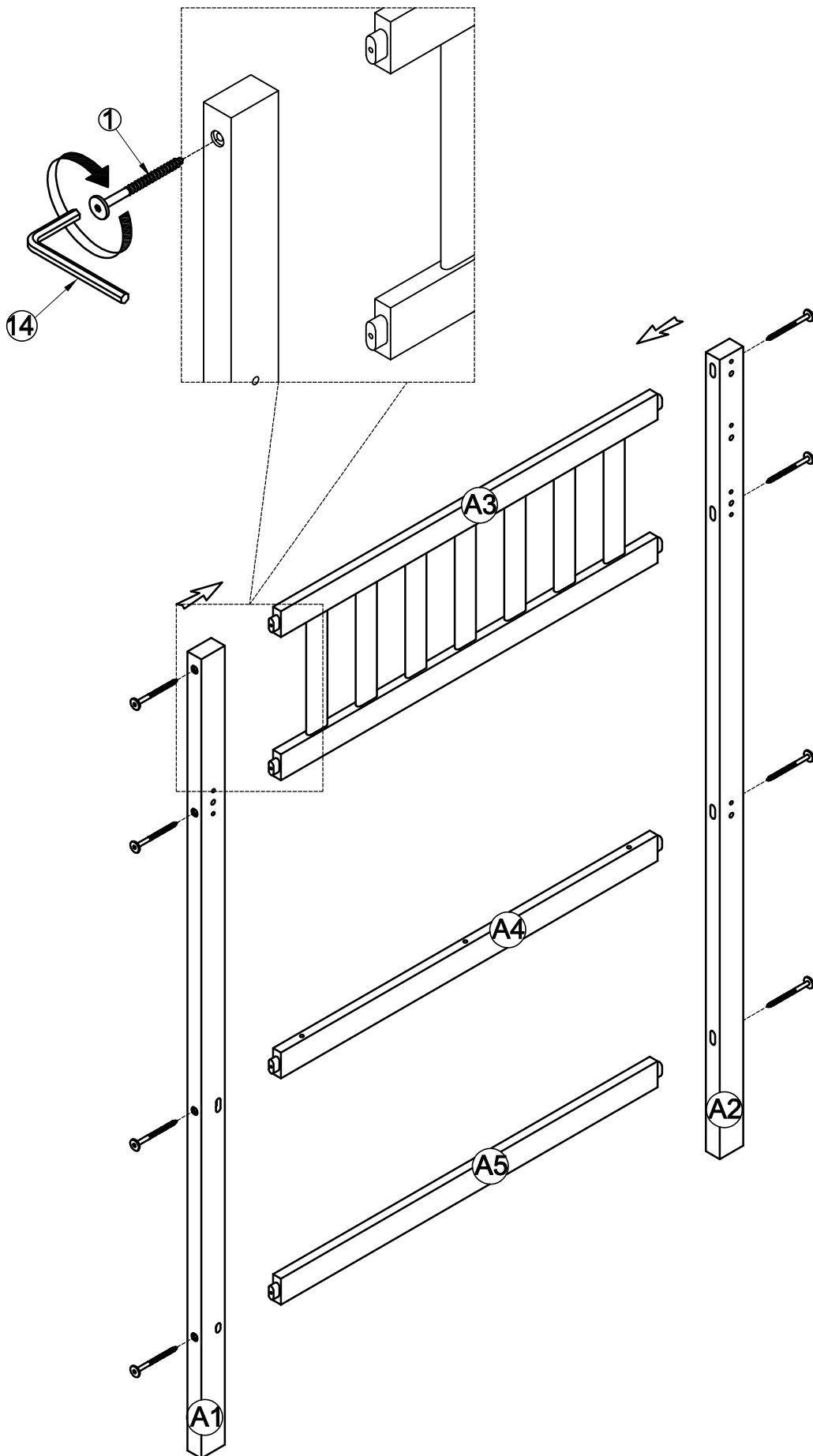
STEP 1:

Following below illustration Assembly Footboard . Using hardware #1 connect A1 and A2 legs with A3 Frame,A4 and A5 Wood Bar to complete Footboard.Look at detail view for more detail

1

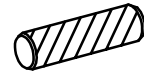


8pcs



STEP 2: Following below illustration Assembly Stairs . Using hardware #2 and dowel 3 connect B5(1) and B6(1) With B7(4). Look at detail view for more detail

3

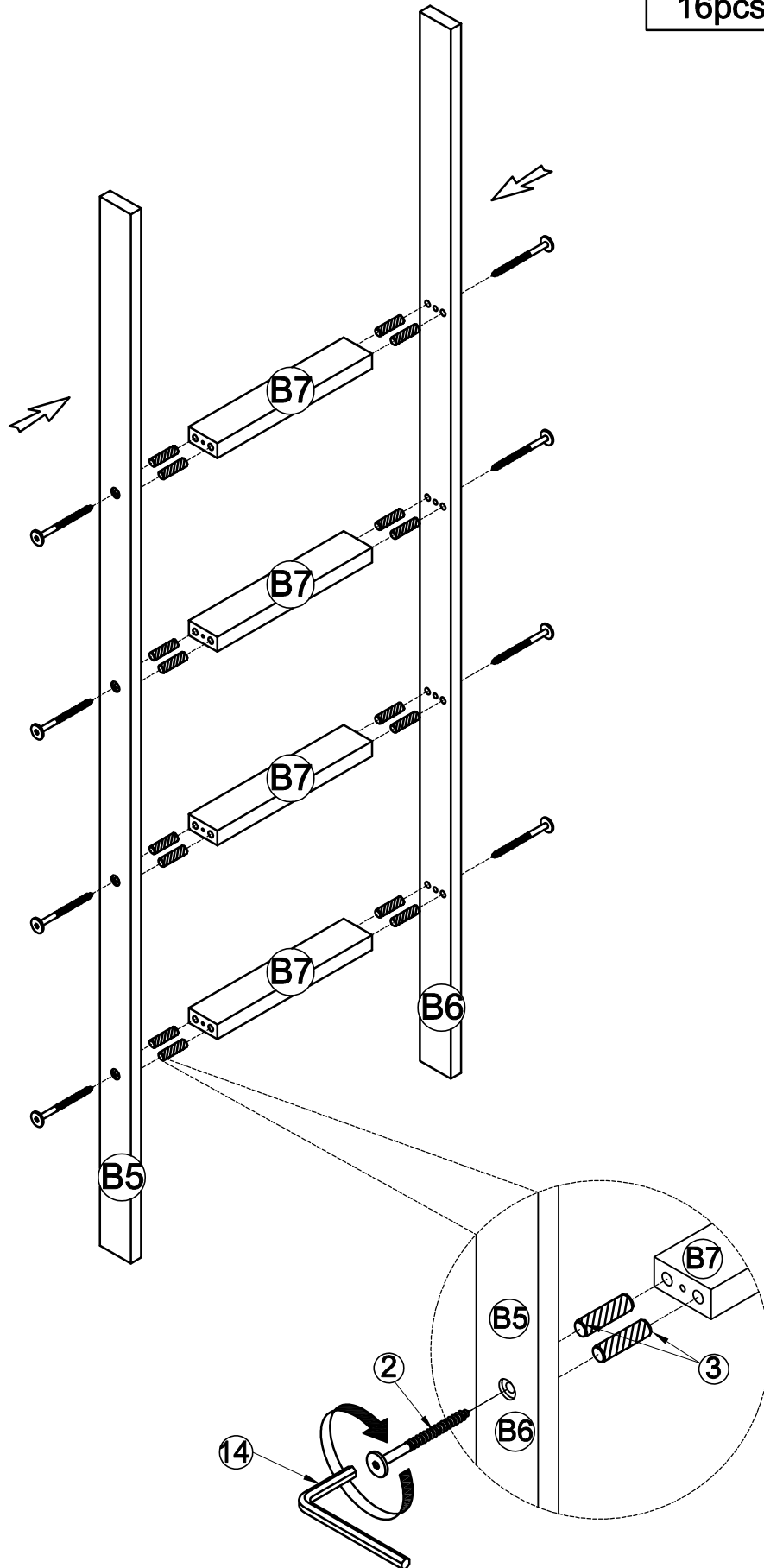


16pcs

2



8pcs



STEP 3: Following below illustration Assembly Headboard . Using hardware #1,#4

connect B1 and B2 Leg With B4(4), B3 Frame and Frame (completed on Step 2) to complete Headboard

4

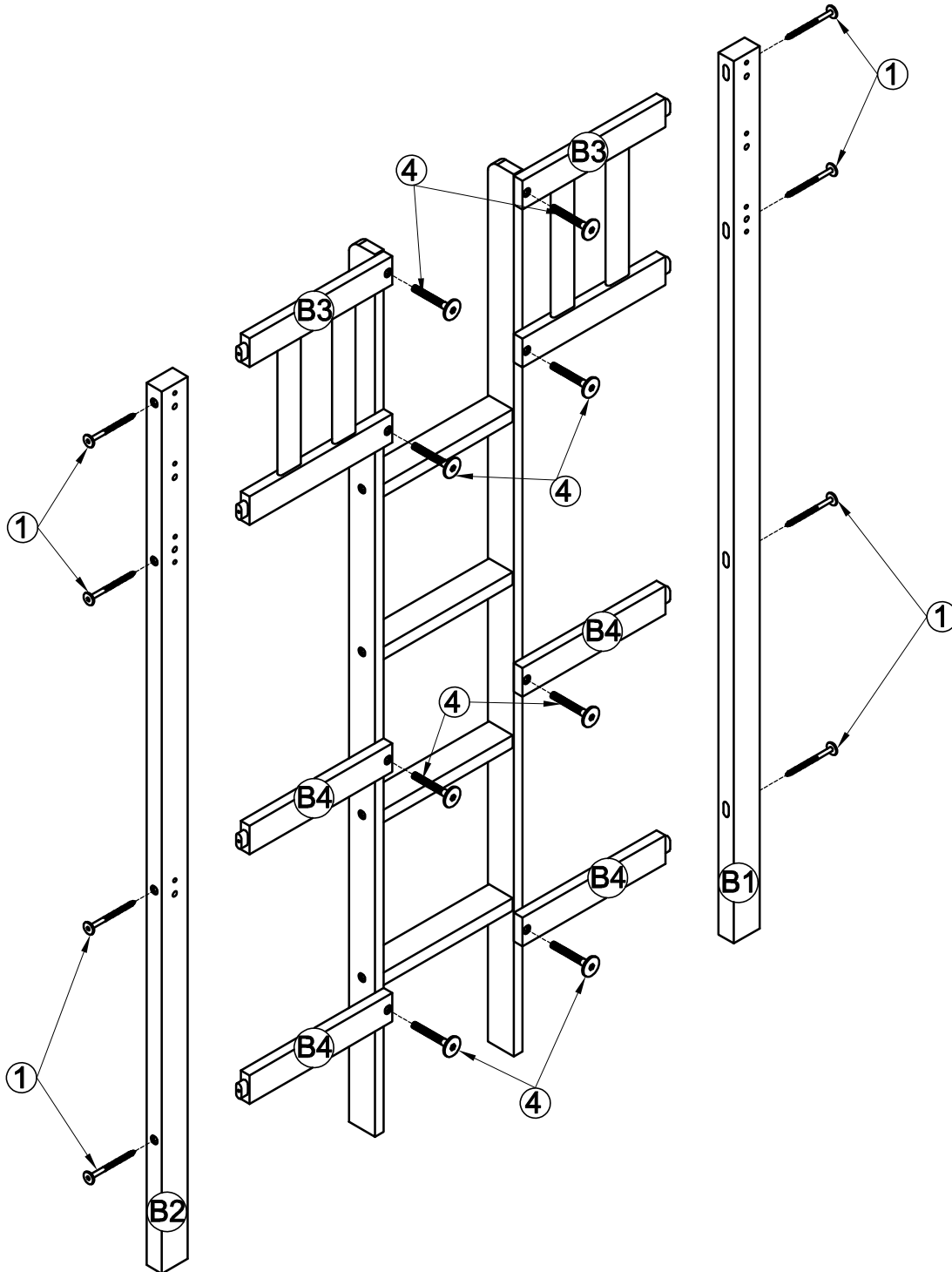


8pcs


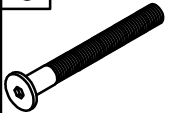

1

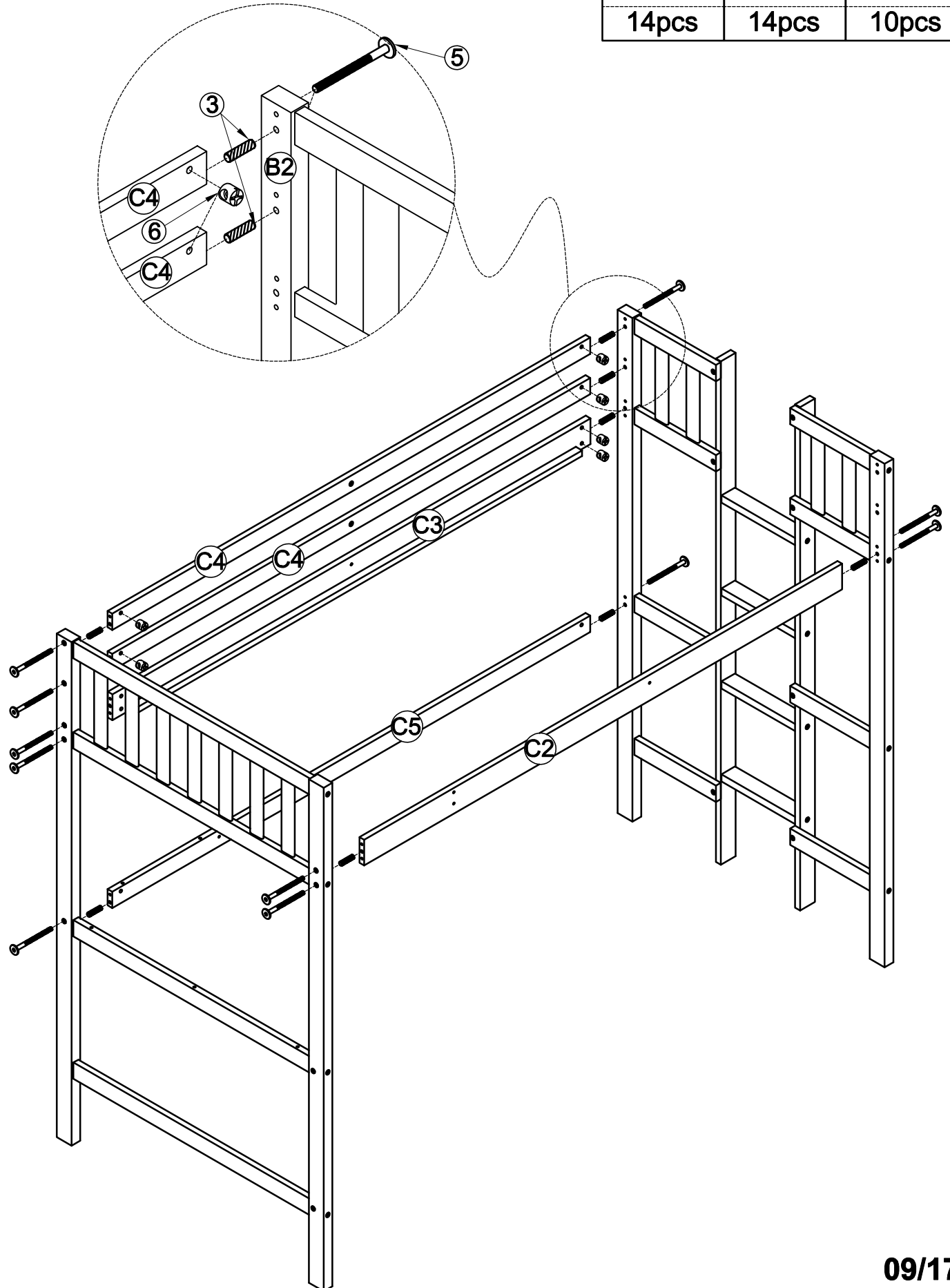


8pcs

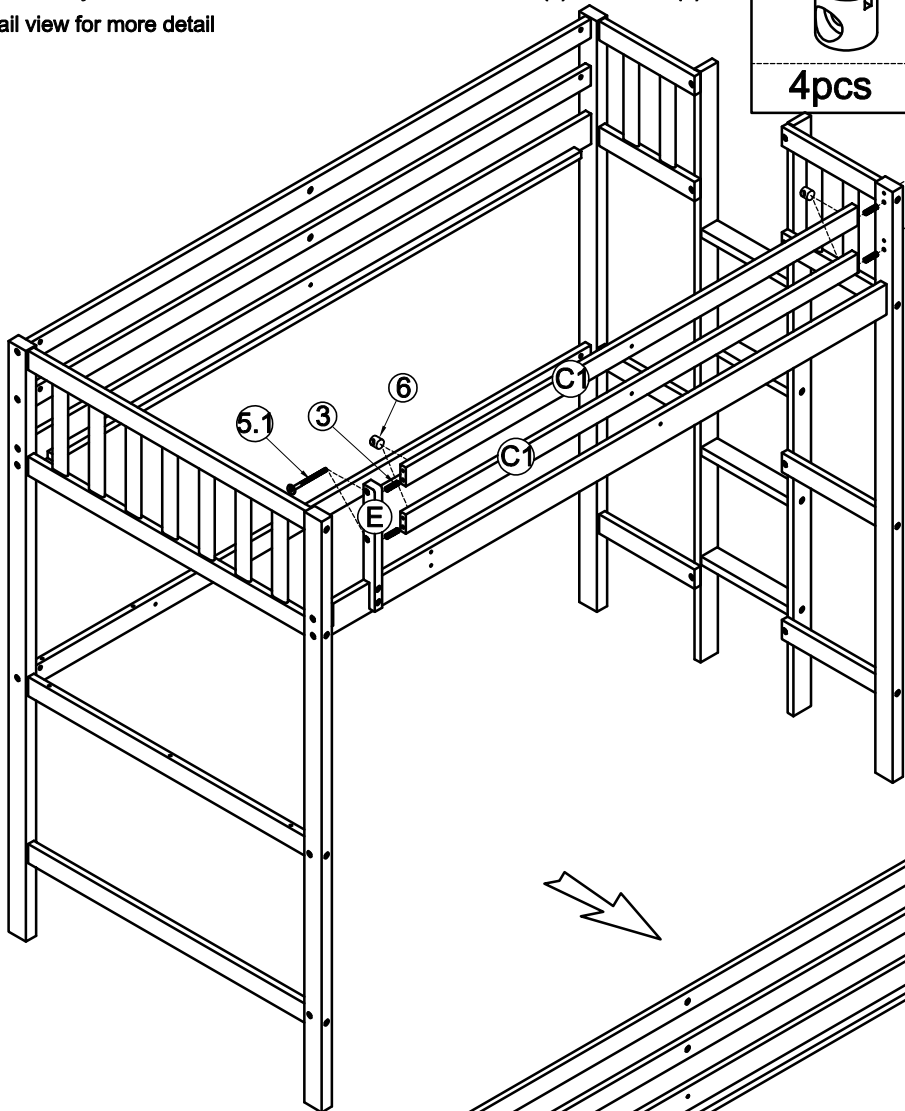



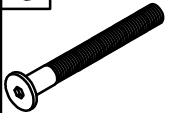



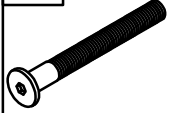
STEP 4: Following below illustration Using hardware #5, #6 and dowel 3 to Assembly Headboard and Footboard with siderail (C2,C3) and Guardrail (C4,C5).
 Look at detail view for more detail

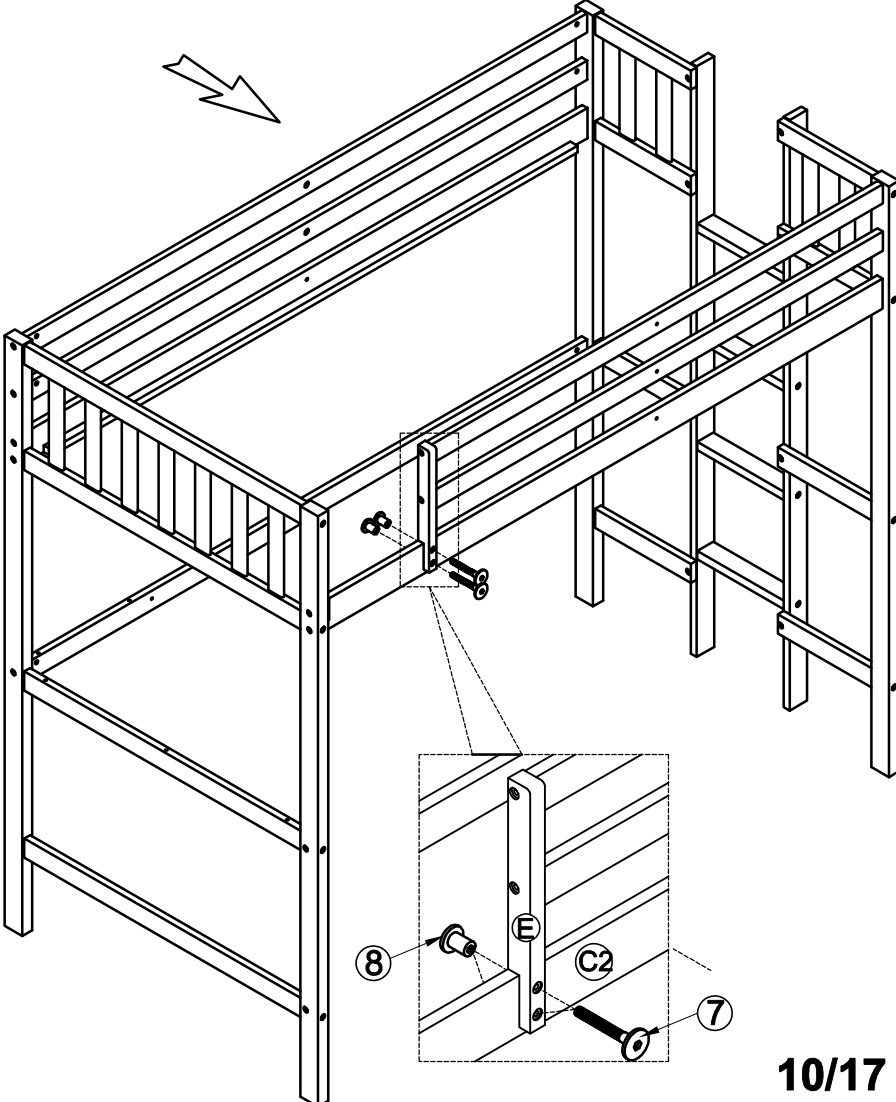
6	5	3
		
14pcs	14pcs	10pcs



STEP 5: Following below illustration Using hardware #5,#5.1,#6,#7,#8 and
 dowel 3 to Assembly Headboard and Footboard with Guardrail C1(2) and Rail E(1).
 Look at detail view for more detail



<p>6</p>  <p>4pcs</p>	<p>5</p>  <p>2pcs</p>	<p>3</p>  <p>4pcs</p>	
			<p>7</p>  <p>2pcs</p>
			<p>8</p>  <p>2pcs</p>
			<p>5.1</p>  <p>2pcs</p>



STEP 6: Following below illustration Using hardware #7,#8 to Assembly Frame

(completed on step 5) with Rail D(2) .Look at detail view for more detail

8

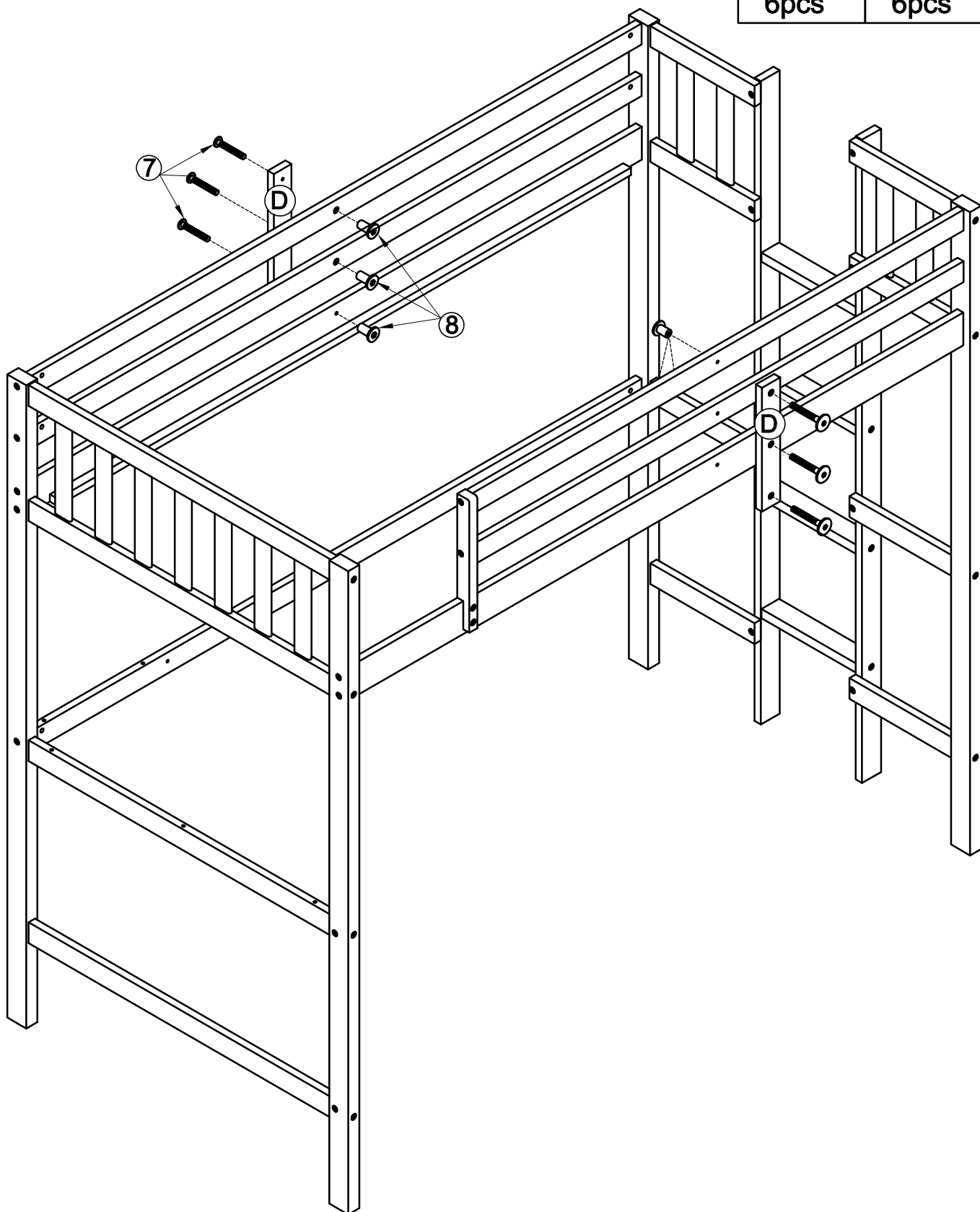


6pcs

7



6pcs



STEP 7:

Following below illustration:

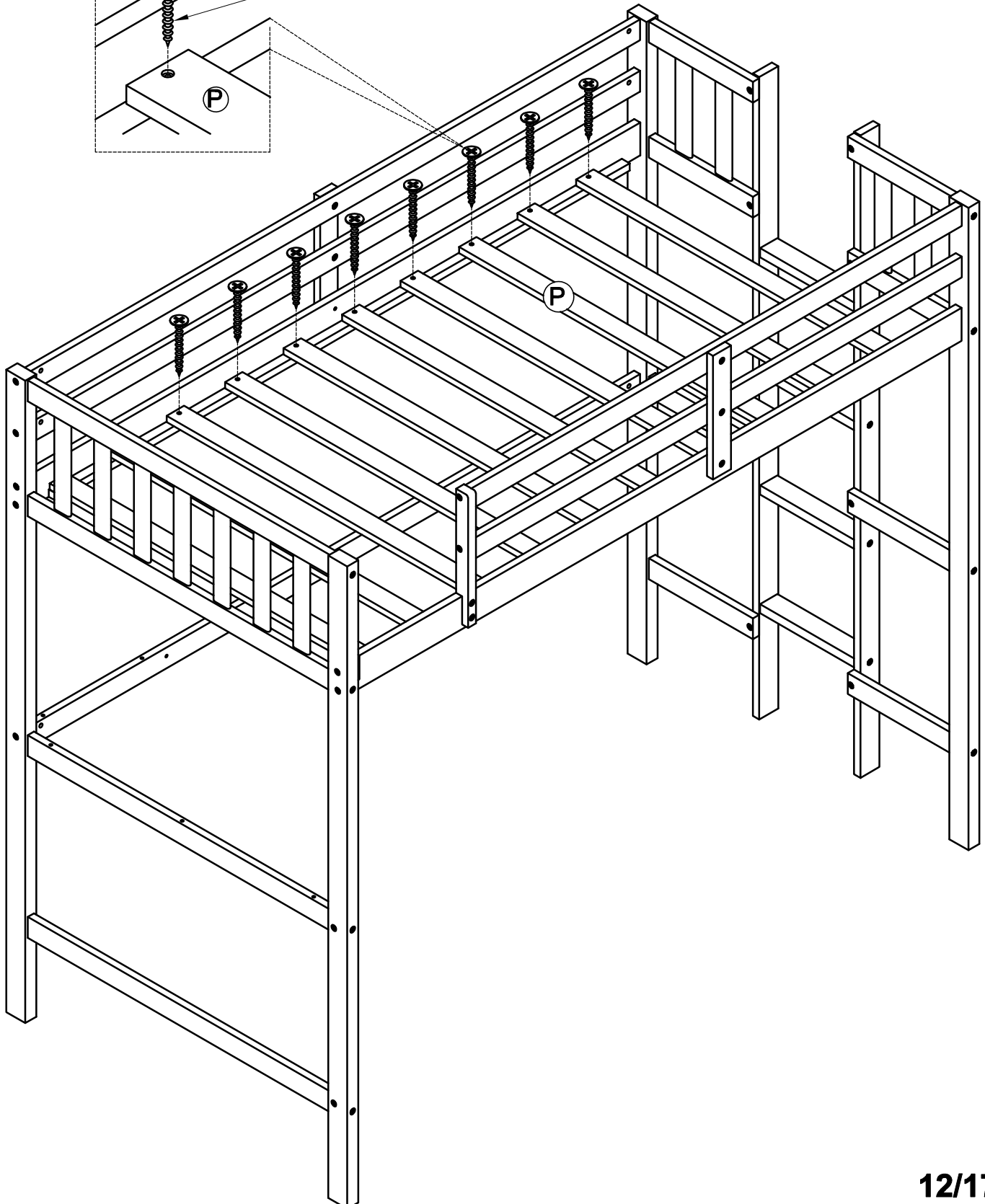
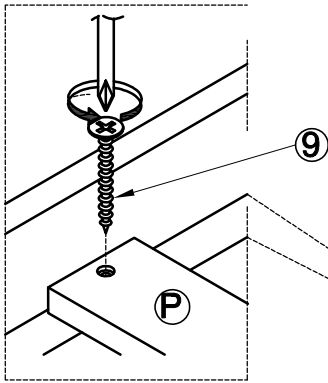
- Assembly 10 slats P by using hardware #9.
- Look at detail view

**ATTENTION: REMEMBER
TO COMPLETE SCREW
ALL SLATS WITH SIDERAIL
BEFORE USING.**

9



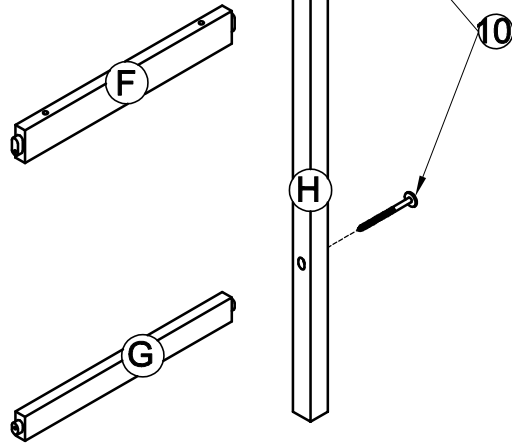
20(pcs)



STEP 8:

Following below illustration:

- Assembly Center Leg(H) with Rail (F,G) using hardware #10.
- Look at detail view



10

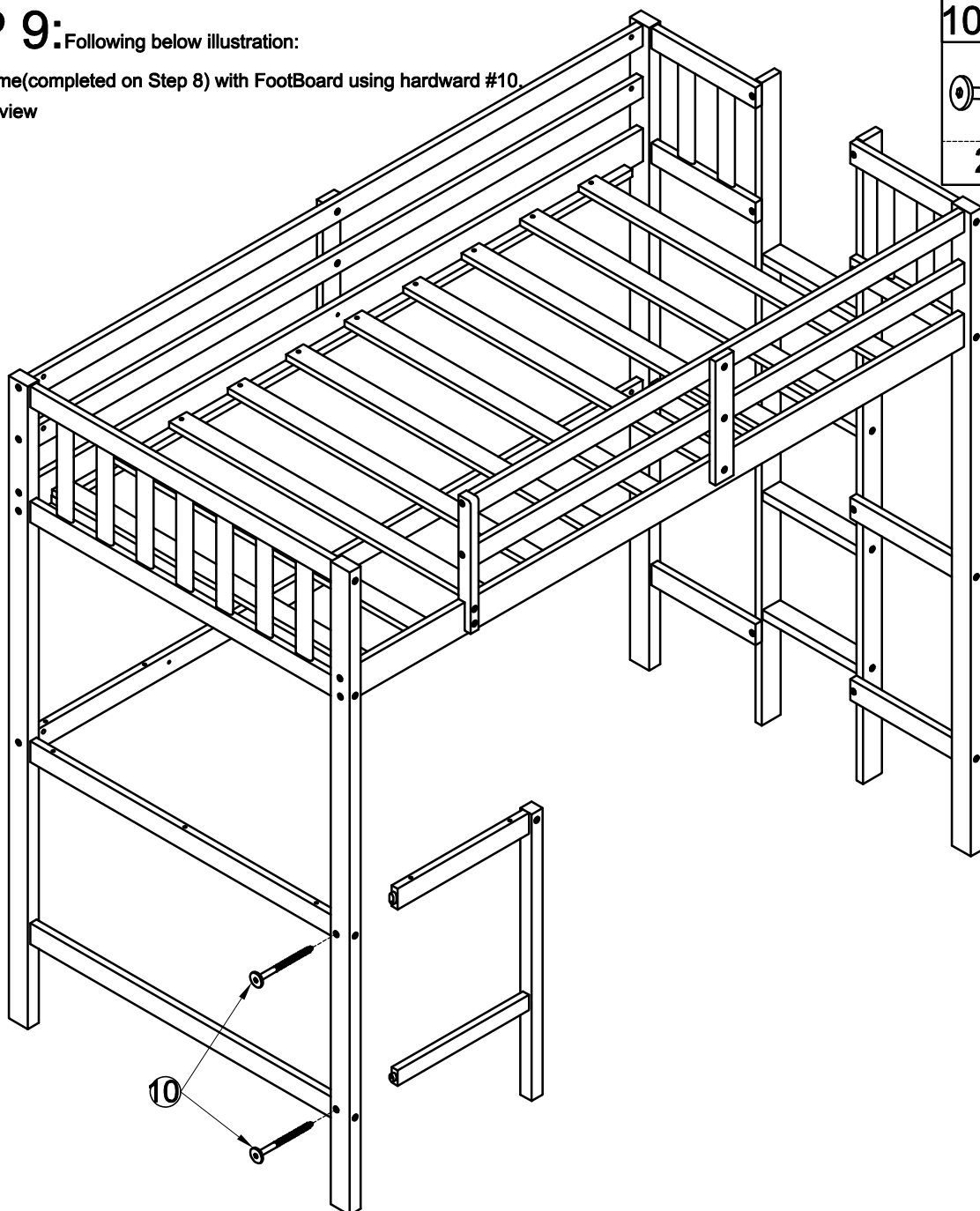


2pcs

STEP 9:

Following below illustration:

- Assembly Frame(completed on Step 8) with FootBoard using hardware #10.
- Look at detail view



10





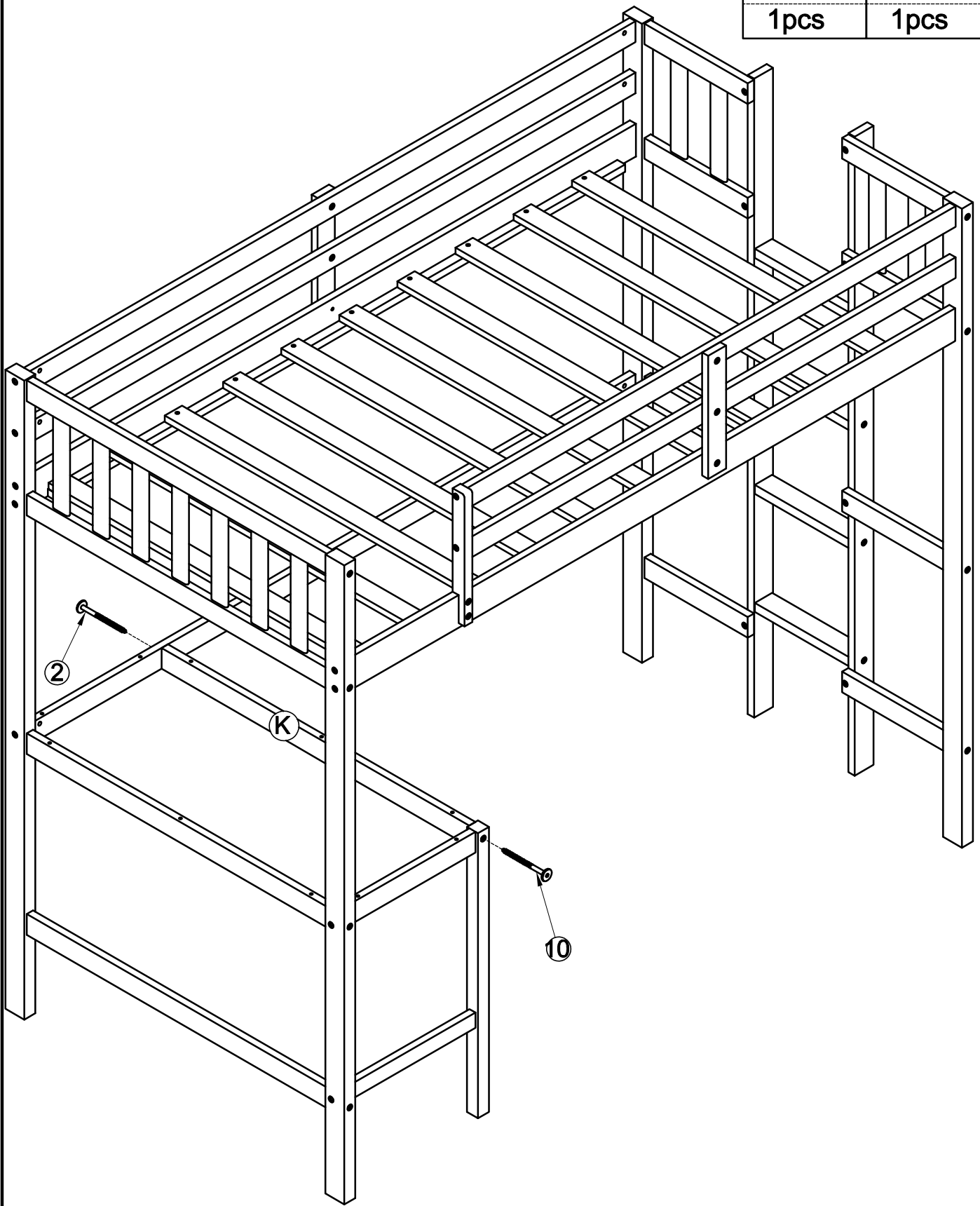
2pcs

STEP 10:

Following below illustration:

- Assembly Rail(K) with Frame(completed on Step 9) using hardware #10,#11.
- Look at detail view

2	10
	
1pcs	1pcs



STEP 11

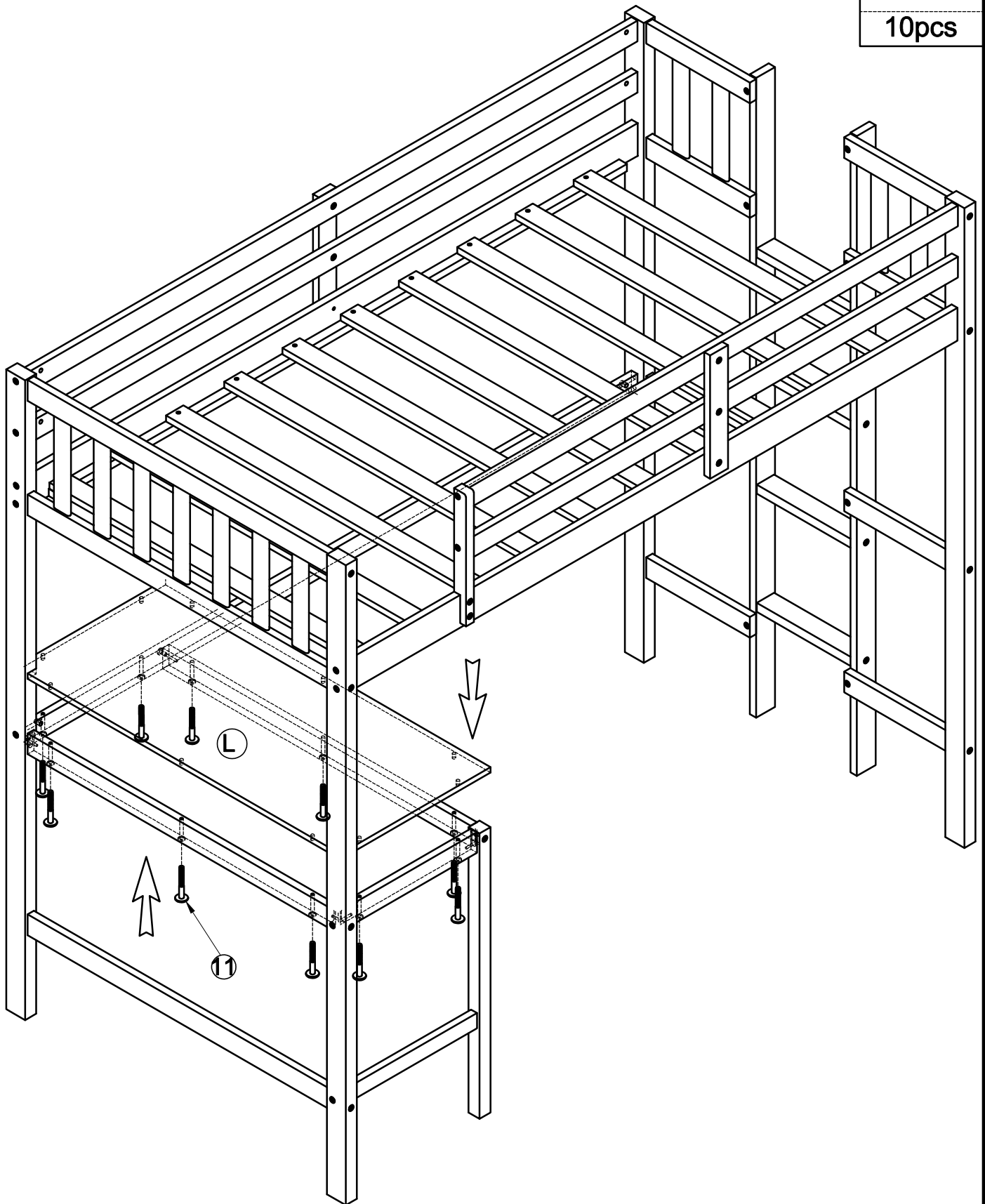
Following below illustration:

- Assembly Table Top(L) with Frame(completed on Step 10) using hardware #11.
- Look at detail view

11



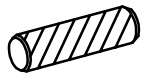



10pcs

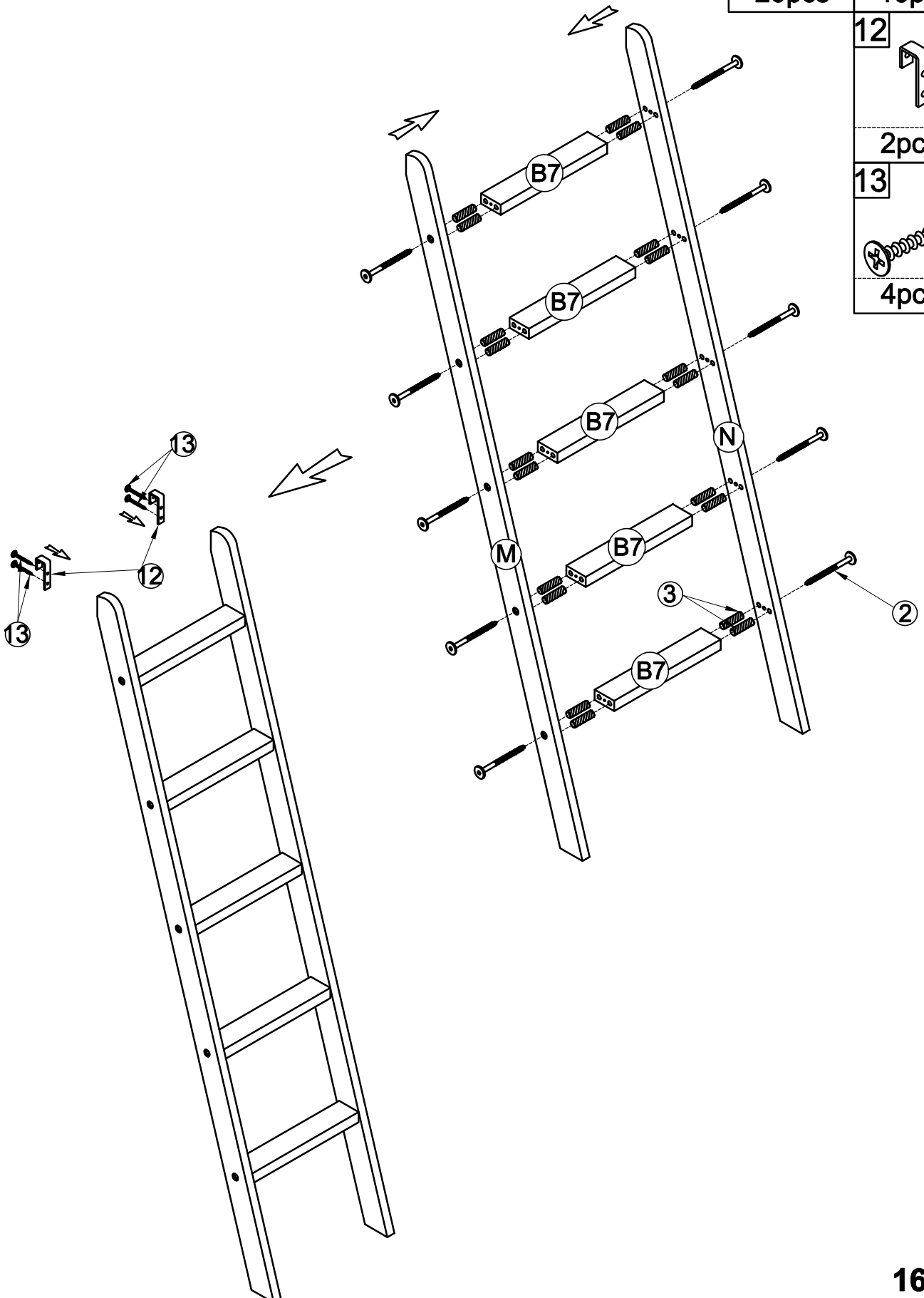


STEP 12:

Following below illustration:

- Assembly Stairs using hardware #2,#12,#13 and dowel 3.
- Look at detail view

3	2
	
20pcs	10pcs
12	
	2pcs
13	
	4pcs

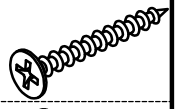


STEP 13:

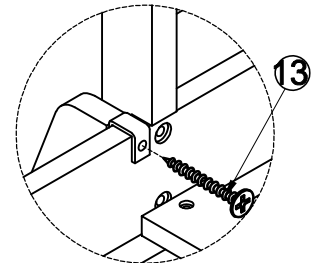
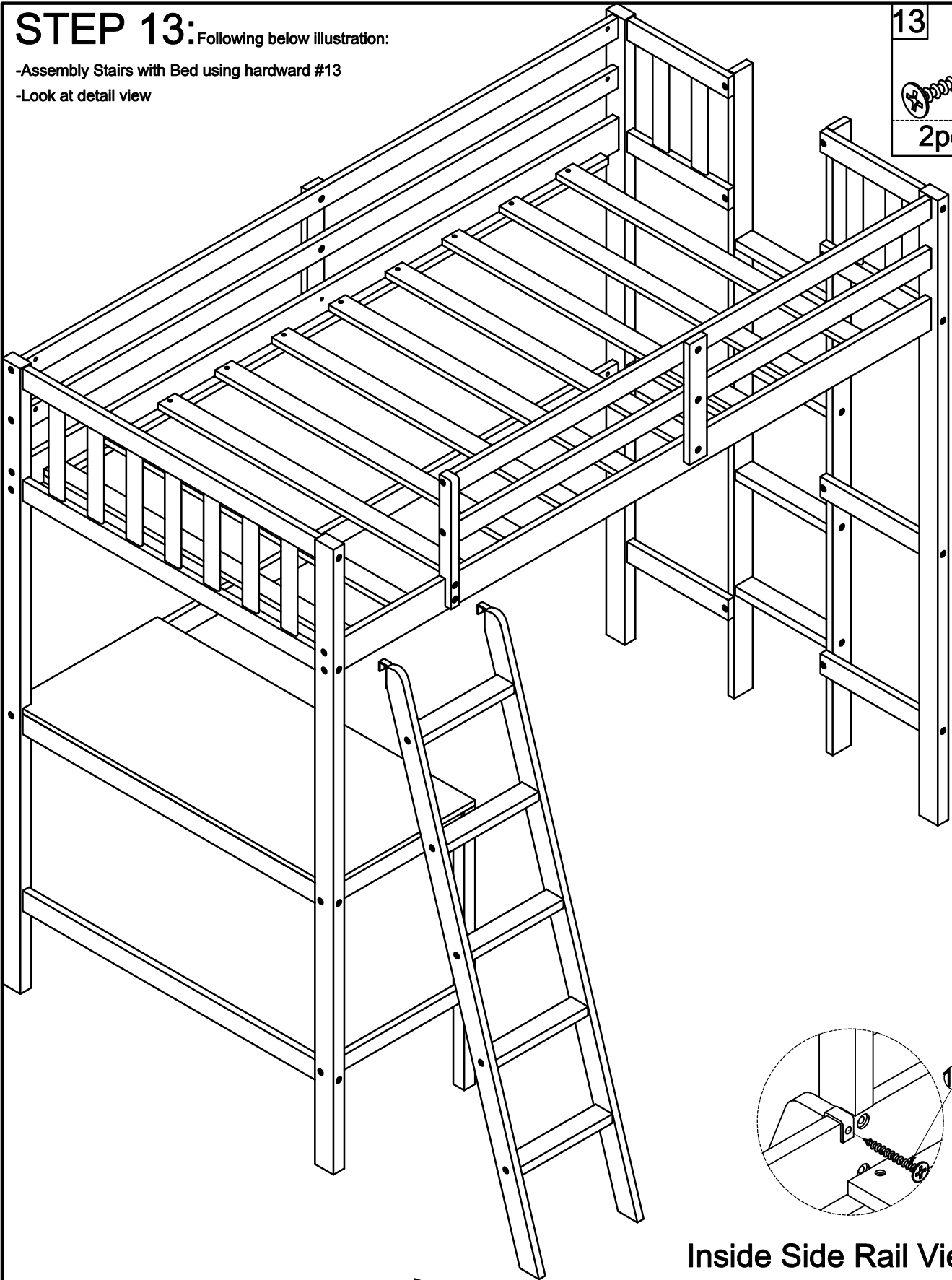
Following below illustration:

- Assembly Stairs with Bed using hardware #13
- Look at detail view

13



2pcs



Inside Side Rail View