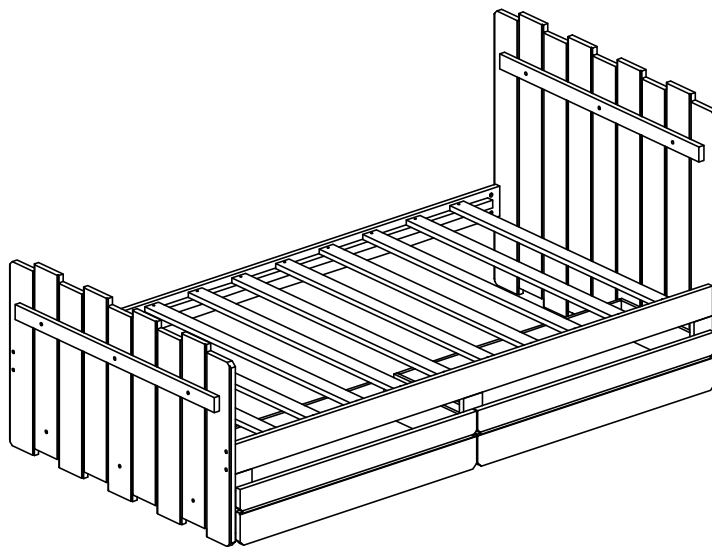


ASSEMBLY INSTRUCTIONS

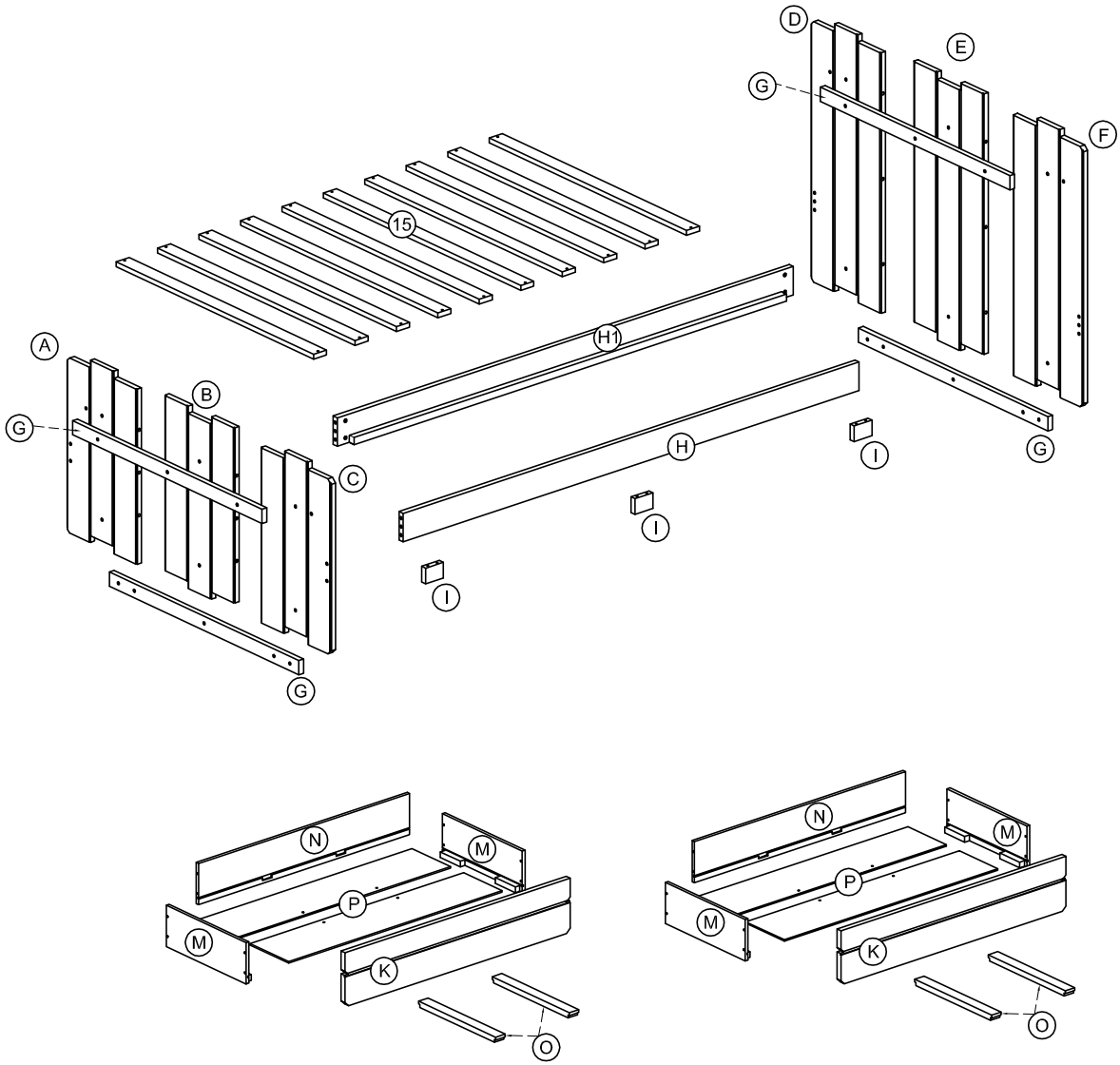
WF198567

SAFETY WARNINGS

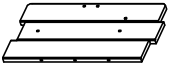
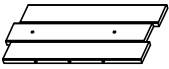
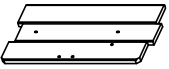
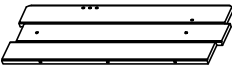
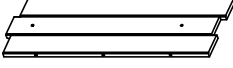
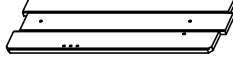
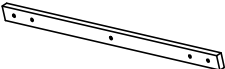


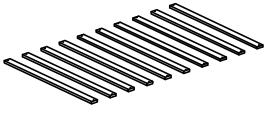
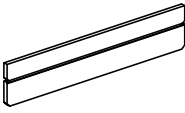
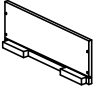
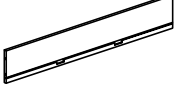
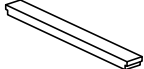

- 1-Follow the information on the warning label appearing on the upper bunk bed **and structure on the carton ... Do not remove warning label from bed**
- 2-Always use the recommended size mattress or mattress support, or both, to help prevent the likelihood of entrapment or falls.
- 3-Surface of mattress must be at least 5 inches below the upper edge of guard rails.
- 4-Do not allow children under 6 years to use the upper bunk bed.
- 5-Prohibit more than one person on upper bunk.
- 6-Periodically check and ensure that the guardrail, ladder, and other components are in their proper position, free from damage, and that all connectors are tight.
- 7-Do not allow horseplay on or under the bed and prohibit jumping on the bed.
- 8-Always use the ladder for entering and leaving upper bunk.
- 9-Do not use substitute part. Contact the manufacturer or dealer for replacement part.
- 10-Use of night light may provide added safety precaution for a child using the upper bunk.
- 11-If the bunk bed will be placed next to a wall, the guardrail that runs the full length of the bed.
- 12-Always use guardrail on both long sides of the upper bunk.
- 13-The use of water or sleep flotation mattresses is prohibited.
- 14-Keep these instruction for future reference.
- 15-Strangulation Hazard - Never attach or hang items to any part of the bunk bed that are not designed for use with the bed, for example, but not limited to hooks, belts and jump rores.












Detail View



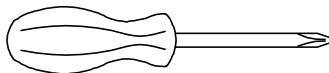
Part List

A  <p>FB left panel - 1pc</p>	B  <p>FB middle panel - 1pc</p>	C  <p>FB middle panel - 1pc</p>
D  <p>HB left panel - 1pc</p>	E  <p>HB middle panel - 1pc</p>	F  <p>HB middle panel - 1pc</p>
G  <p>HB-FB connect bar - 4pcs</p>	H/H1  <p>Side rail - 2pcs</p>	I  <p>Wood block - 3pcs</p>
15  <p>Wood slat - 10pcs</p>	K  <p>Drawer front - 2pcs</p>	
M  <p>Drawer side right - 4pcs</p>	N  <p>Drawer back - 2pcs</p>	O  <p>Drawer support bar - 4pcs</p>
P  <p>Drawer bottom - 4pcs</p>		

Hardware List

1	 Ø10*30mm Wood dowel (24pcs)	2	 Ø1/4" Nut (12pcs)	3	 Ø1/4"*30mm Hex-Head bolt (12pcs)
4	 Ø1/4"*65mm Hex-Head bolt (8pcs)	5	 Ø1/4" Horizontal-Hole bolt (8pcs)	6	 #4*30mm Screw (42pcs)
7	 #4*15mm Screw (24pcs)	8	 Wheel (8pcs)	9	 K4mm Allen key (2pcs)


ASSEMBLY TOOLS REQUIRED (NOT INCLUDED)

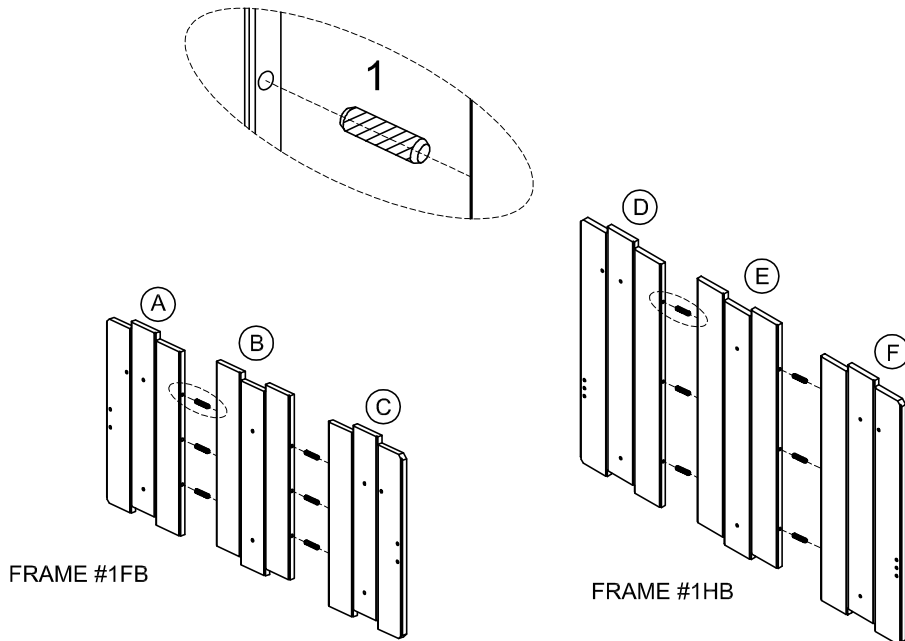


PLEASE BE CAREFUL DO NOT DAMAGE THE HOLE POSITION WHEN YOU USE POWER TOOLS !

STEP 1: Following below illustration Assembly FRAME #1.

Using hardware #1 connect A, B and C Footboard panel to complete FRAME #1FB and E, F and G Headboard panel to complete FRAME #1HB.




1

12PCS

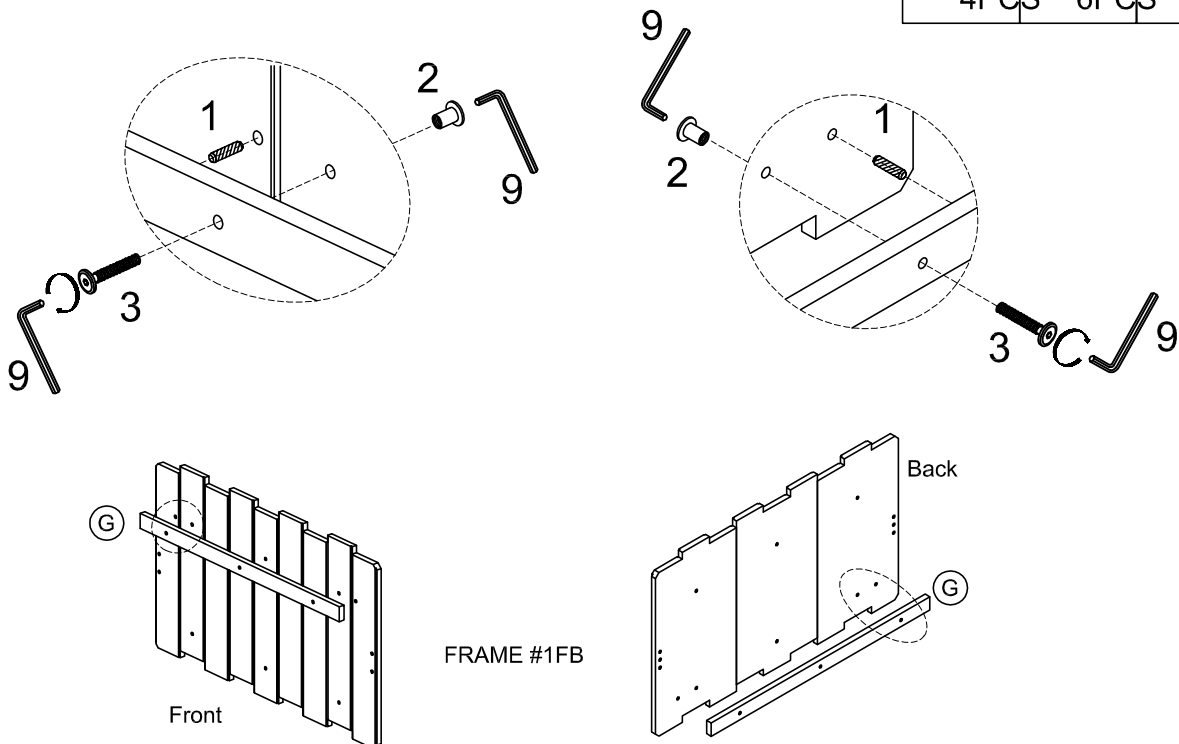


NOTE: In this step, DO NOT tighten any bolt until you connect all part together

STEP 2: Following below illustration Assembly FRAME #2.

Using hardware #1, #2 & #3 connect G HB-FB connect bar with FRAME #1FB to complete FRAME #2.




1	2	3
		
4PCS	6PCS	6PCS

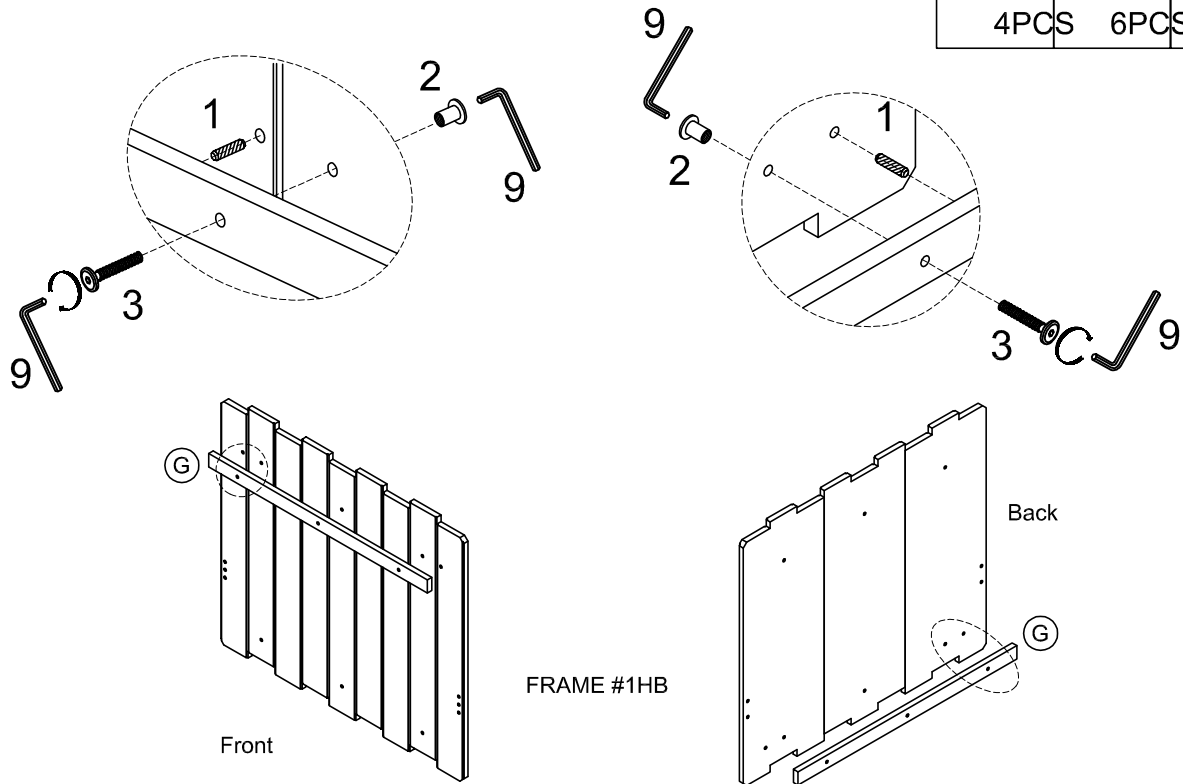


NOTE: In this step, DO NOT tighten any bolt until you connect all part together

STEP 3: Following below illustration Assembly FRAME #3.

Using hardware #1, #2 & #3 connect G HB-FB connect bar with FRAME #1HB to complete FRAME #3.


1	2	3
		
4PCS	6PCS	6PCS

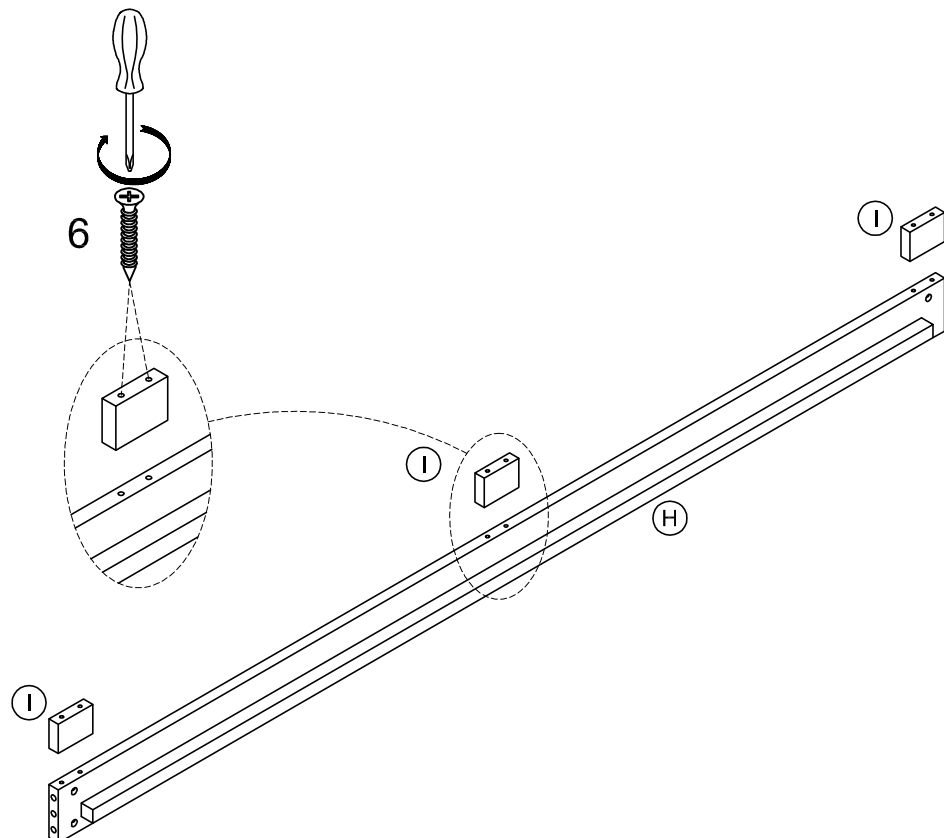


NOTE: In this step, DO NOT tighten any bolt until you connect all part together

STEP 4: Following below illustration Assembly FRAME #4.




Using hardware #6 connect I wood block with H side rail to complete FRAME #3.

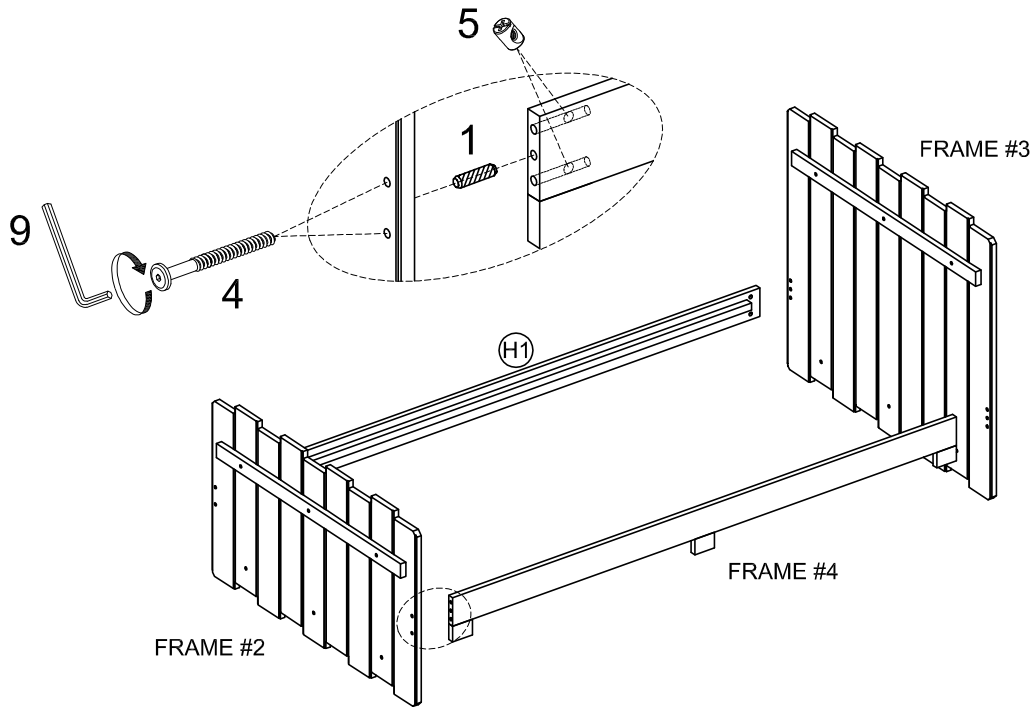
6

6PCS



STEP 5: Following below illustration Assembly FRAME #5.

Using hardware #1, #4 & #5 connect FRAME #1HB / FB with FRAME #4 and H side rail to complete FRAME #5.

1	4	5
		
4PCS	8PCS	8PCS




NOTE: In this step, DO NOT tighten any bolt until you connect all part together

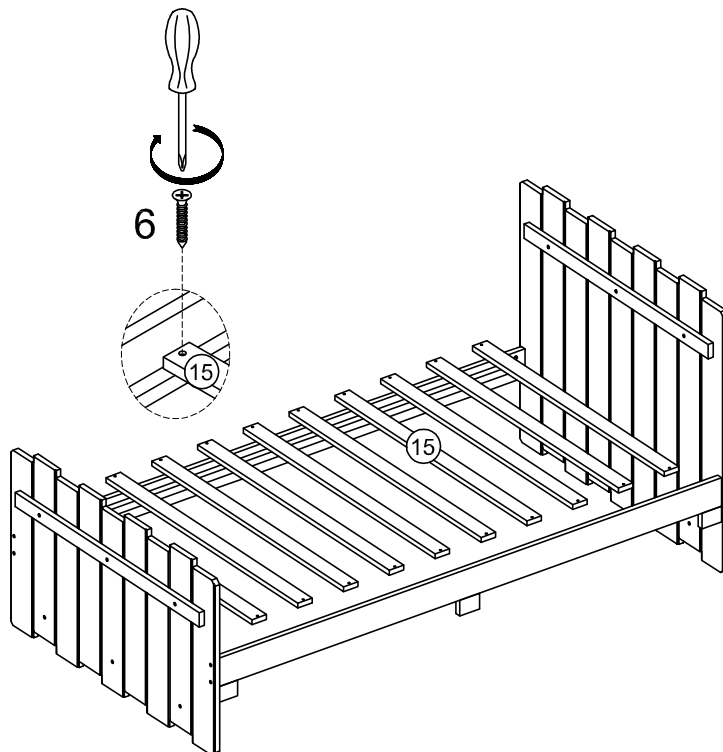
STEP 6: Following below illustration Assembly FRAME #6.

Using hardware #6 connect to screw all wood slat J with FRAME #5 on all the Bed.

WARNING!:

Please completed screw all the slats in to side rails before using.

6

20PCS



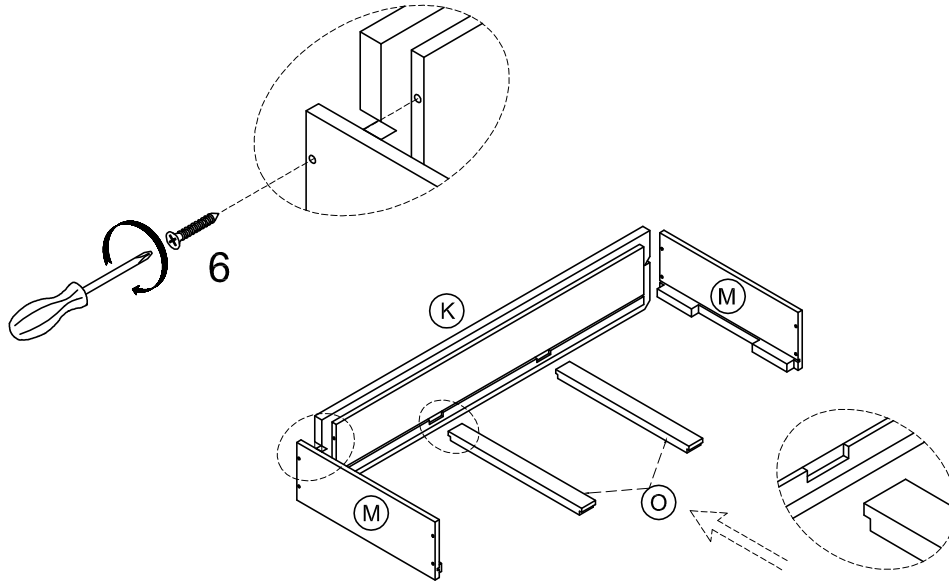
STEP 7: Following below illustration Assembly FRAME #7.

Using hardware #6 connect L and M drawer side panel with K drawer front panel and connect O drawer support bar with K drawer front panel to complete FRAME #7.

6

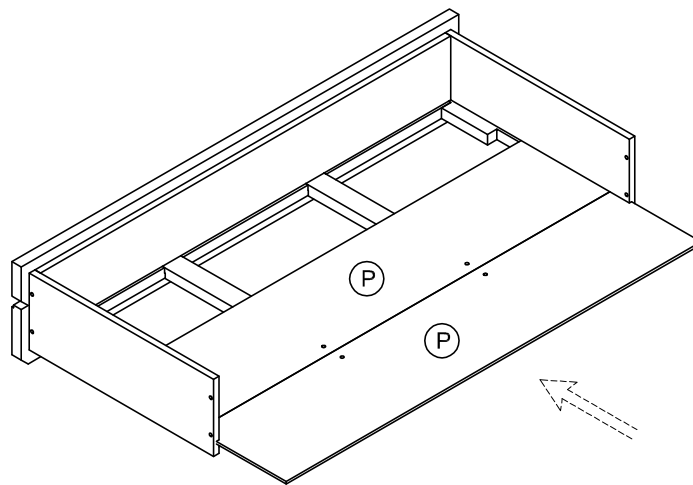


8PCS



STEP 8: Following below illustration Assembly FRAME #8.

Move P drawer bottom panel with FRAME #7 to complete FRAME #8.



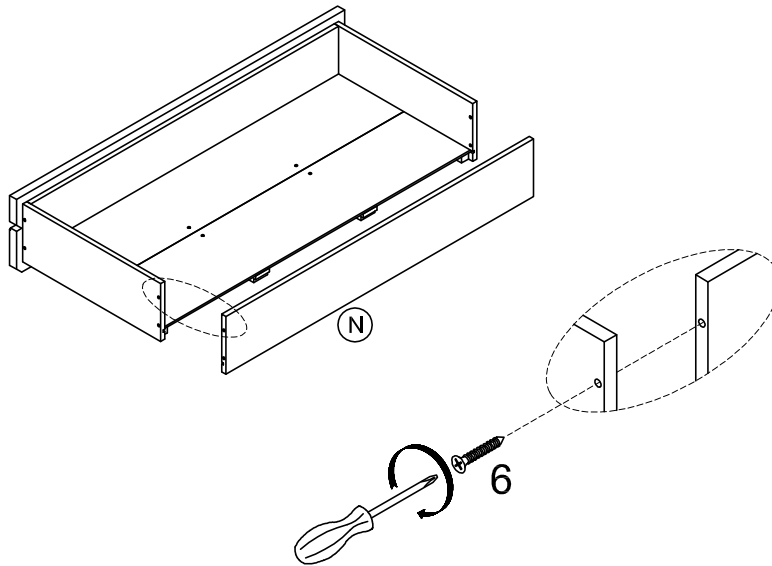
STEP 9: Following below illustration Assembly FRAME #9.

Using hardware #6 connect L and M drawer side panel with N drawer back panel and connect O drawer support bar with N drawer back panel to complete FRAME #9.

6



8PCS



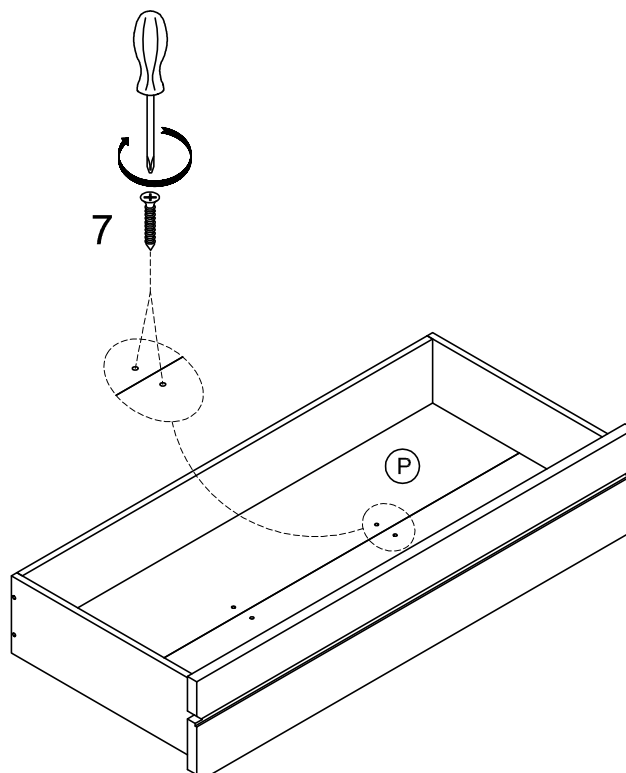
STEP 10: Following below illustration Assembly FRAME #10.

Using hardware #7 connect P drawer bottom panel with O drawer support bar to complete FRAME #10.

7





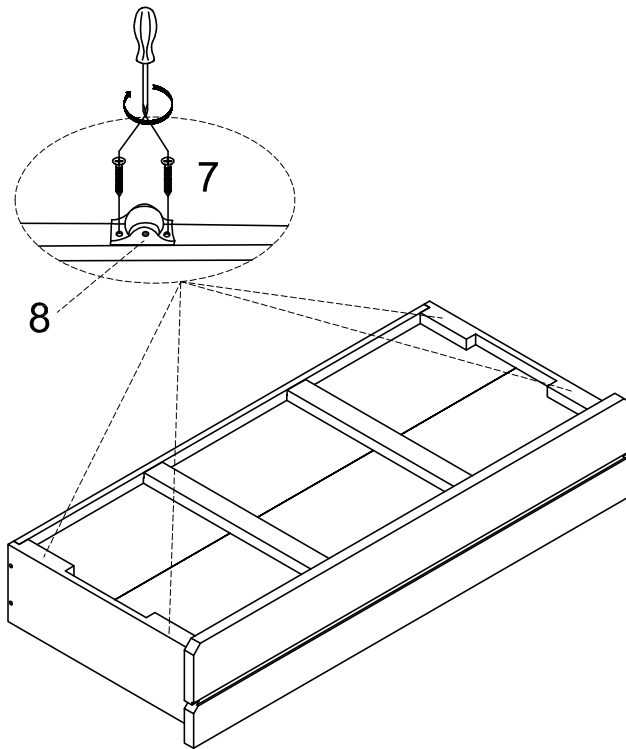
8PCS



STEP 11: Following below illustration Assembly FRAME #11.

Using hardware #7 connect #8 wheel with the drawer bottom on all the drawer.

7	8
	
16PCS	8PCS



COMPLETED

